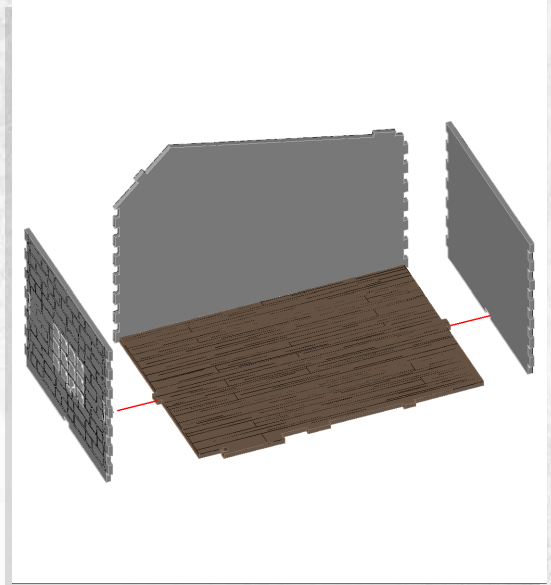
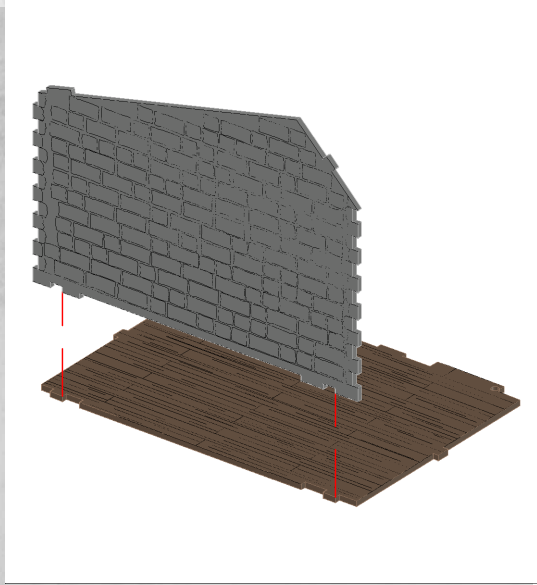




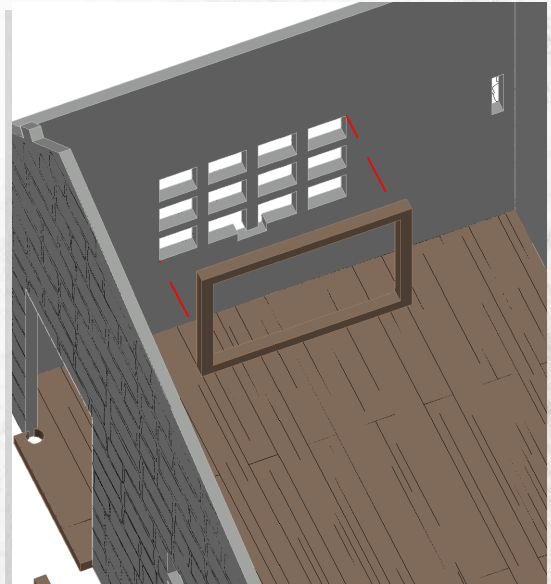
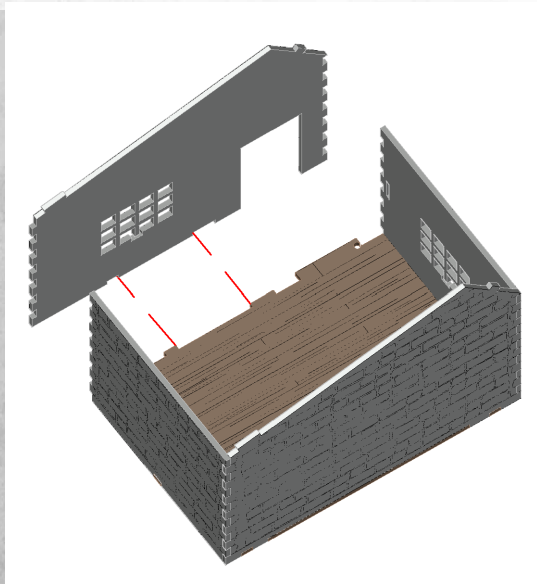
WARCRADLETM
SCENICS

Normandy Farm - Workshop - Assembly Guide

Warning: Pushing parts out by hand may cause damage. Parts may need careful removal from the MDF boards with a scalpel, and light sanding of any rough edges. We recommend testing assembling sections before permanently gluing together.



NOTE: Repeat for both



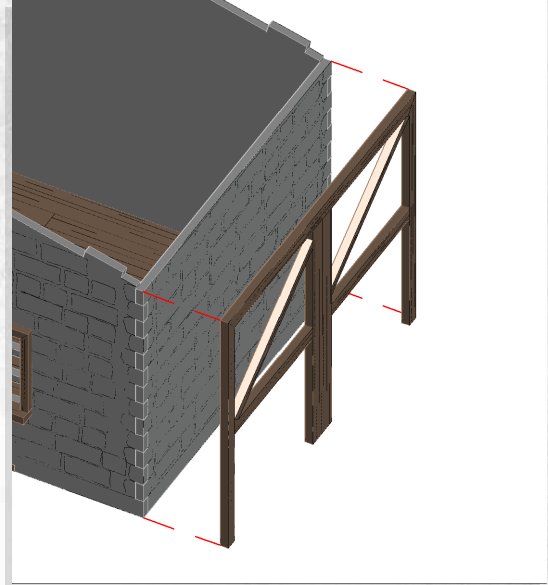
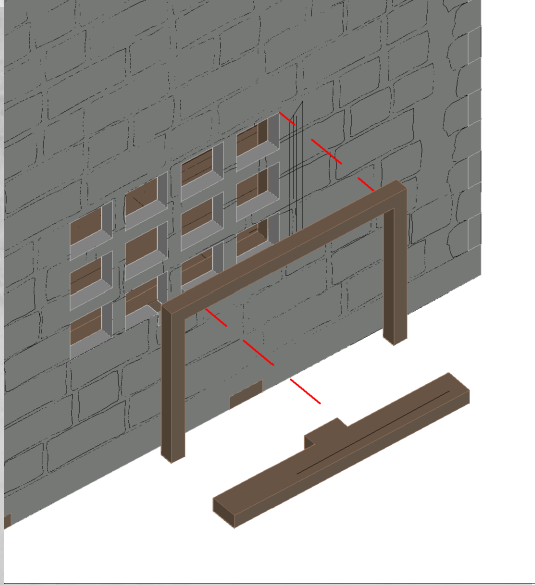
NOTE: Repeat for both



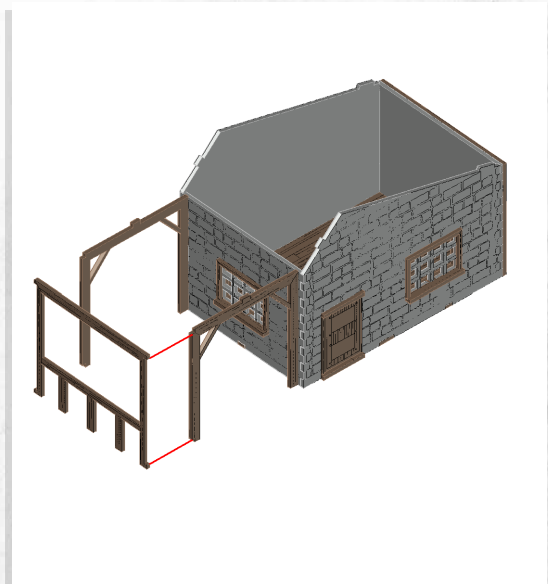
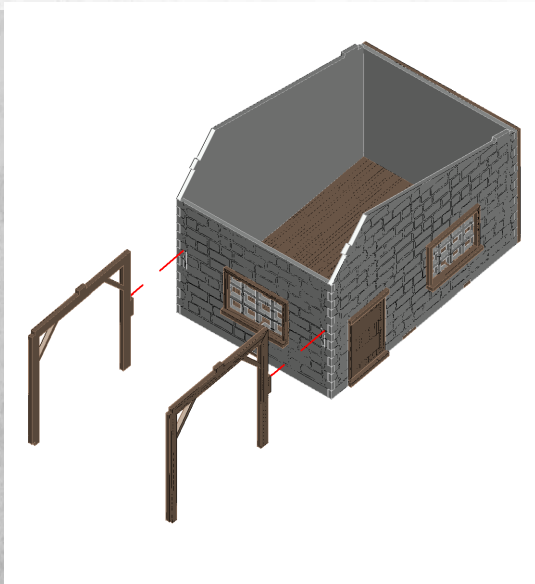
WARCRADLETM
SCENICS

Normandy Farm - Workshop - Assembly Guide

Warning: Pushing parts out by hand may cause damage. Parts may need careful removal from the MDF boards with a scalpel, and light sanding of any rough edges. We recommend testing assembling sections before permanently gluing together.

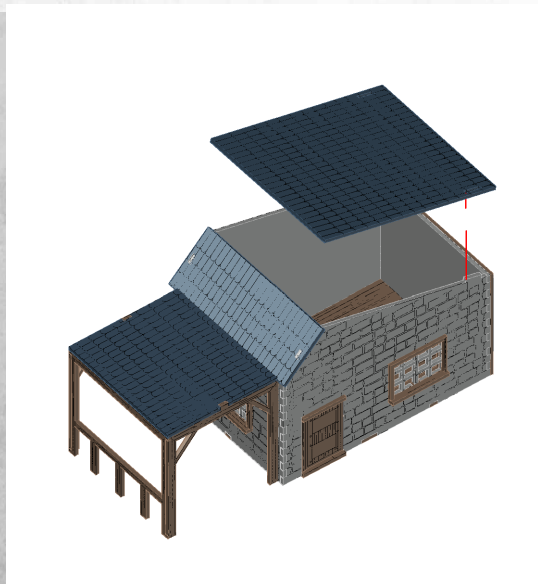
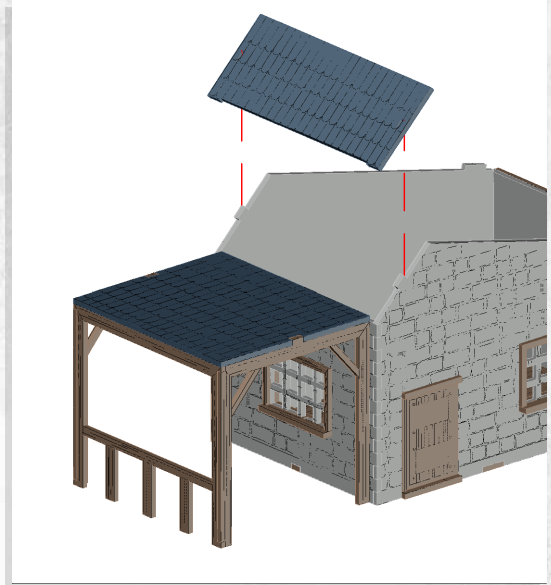
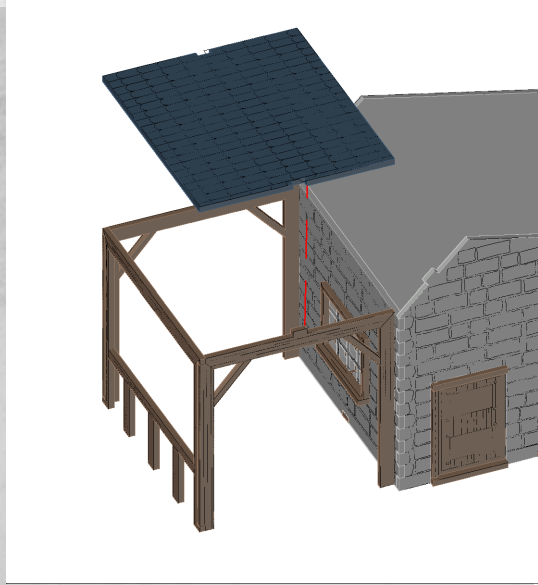


NOTE: Repeat for both

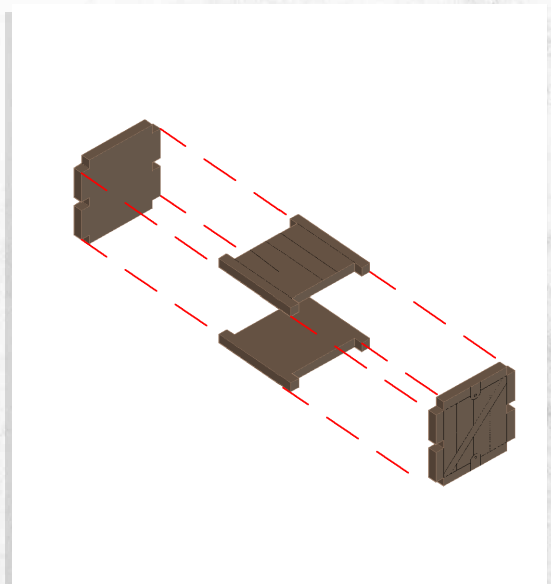


Normandy Farm - Workshop - Assembly Guide

Warning: Pushing parts out by hand may cause damage. Parts may need careful removal from the MDF boards with a scalpel, and light sanding of any rough edges. We recommend testing assembling sections before permanently gluing together.



NOTE: DO NOT glue roof



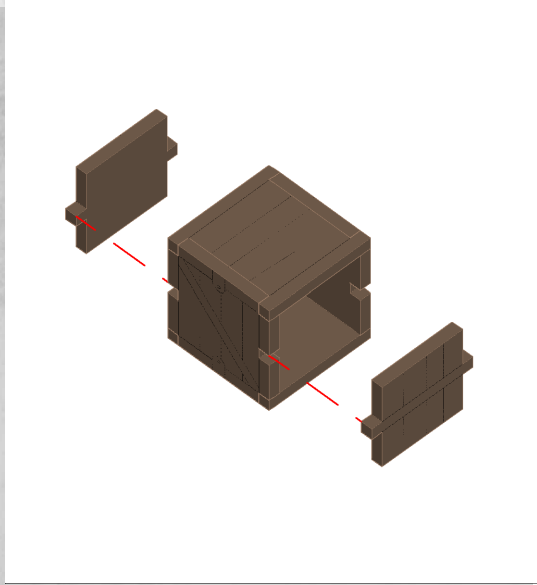
NOTE: Repeat for all



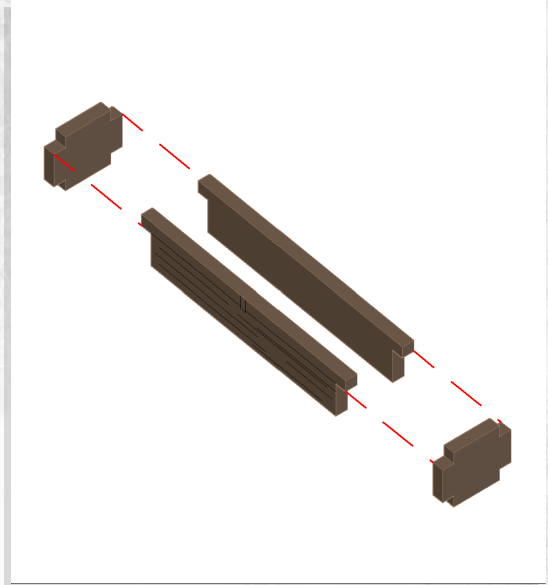
WARCRADLETM
SCENICS

Normandy Farm - Workshop - Assembly Guide

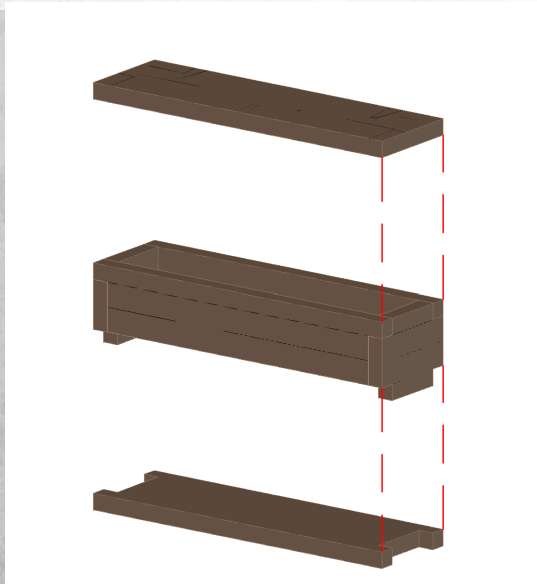
Warning: Pushing parts out by hand may cause damage. Parts may need careful removal from the MDF boards with a scalpel, and light sanding of any rough edges. We recommend testing assembling sections before permanently gluing together.



NOTE: Repeat for all



NOTE: Repeat for all



NOTE: Repeat for all

