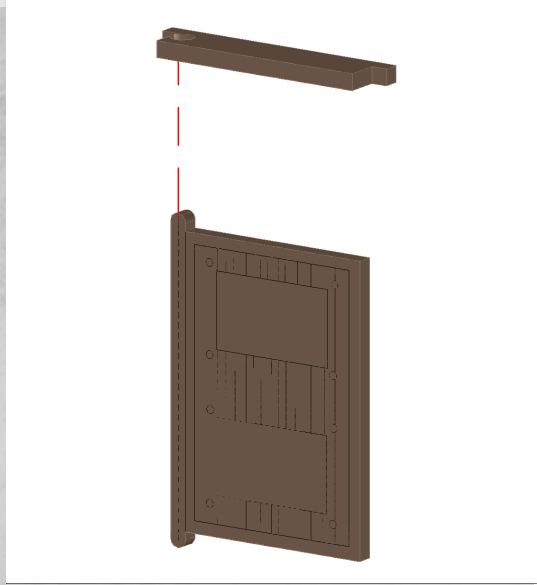




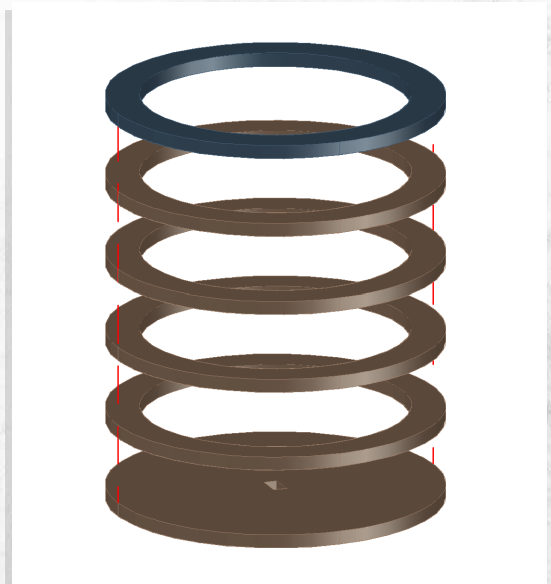
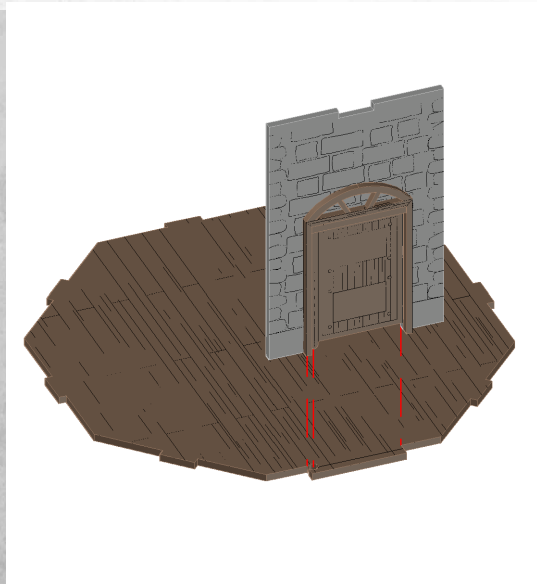
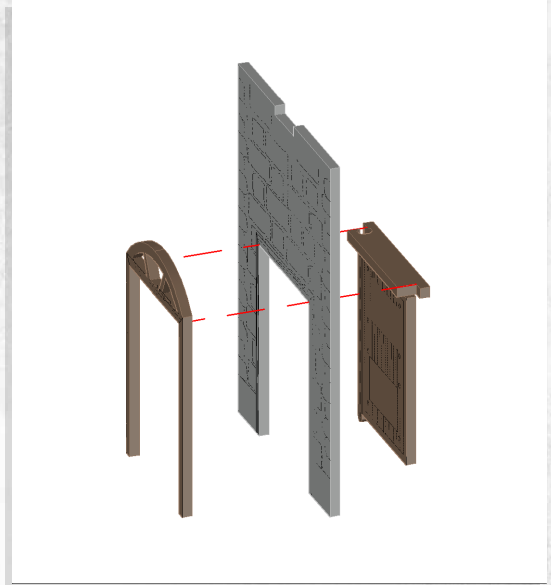
WARCRADLETM
SCENICS

Normandy Farm - Windmill - Assembly Guide

Warning: Pushing parts out by hand may cause damage. Parts may need careful removal from the MDF boards with a scalpel, and light sanding of any rough edges. We recommend testing assembling sections before permanently gluing together.



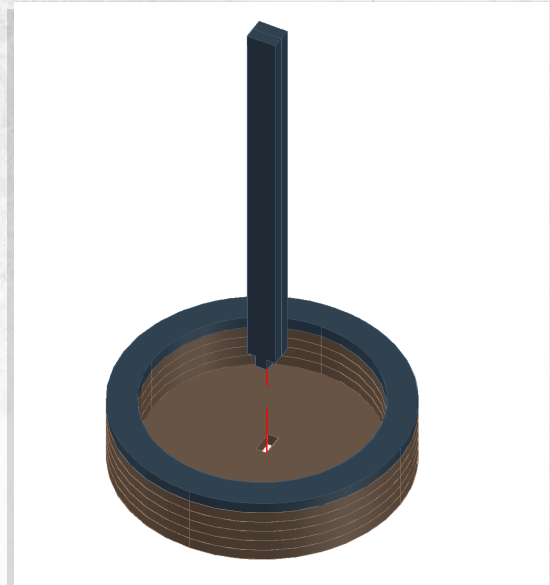
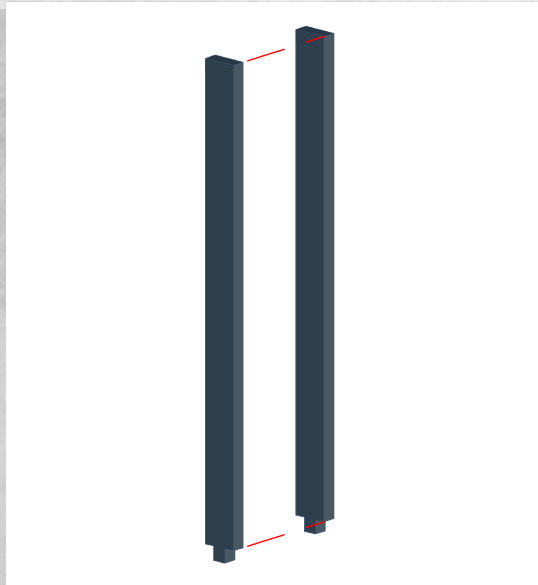
NOTE: Do Not glue door



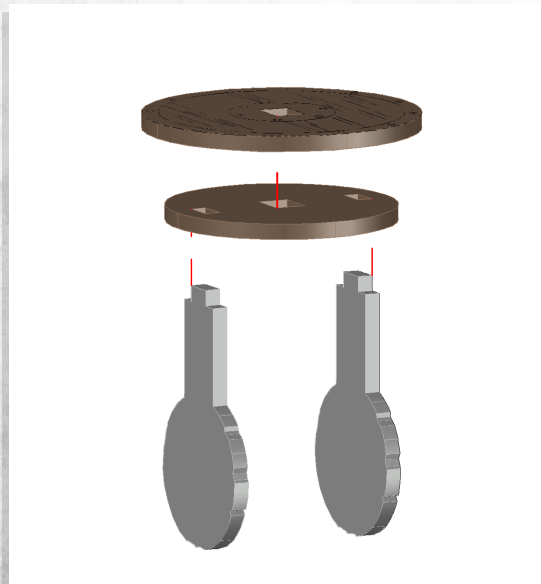
NOTE: Repeat around the rest of floor

Normandy Farm - Windmill - Assembly Guide

Warning: Pushing parts out by hand may cause damage. Parts may need careful removal from the MDF boards with a scalpel, and light sanding of any rough edges. We recommend testing assembling sections before permanently gluing together.



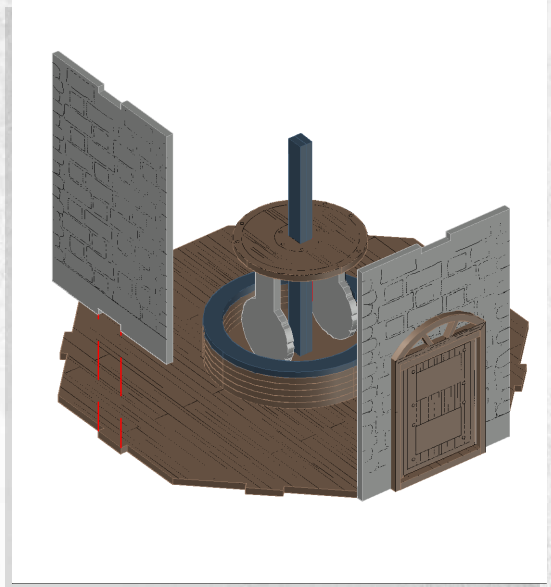
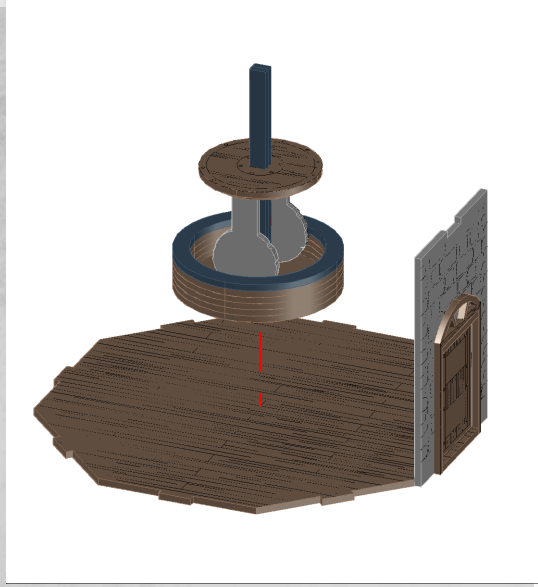
NOTE: Repeat around the rest of floor



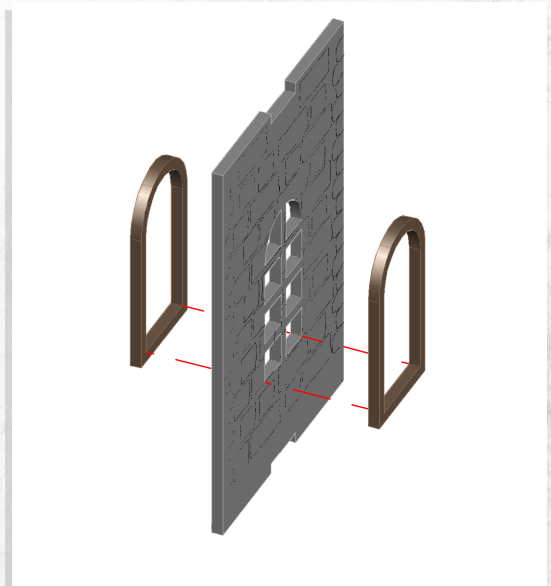
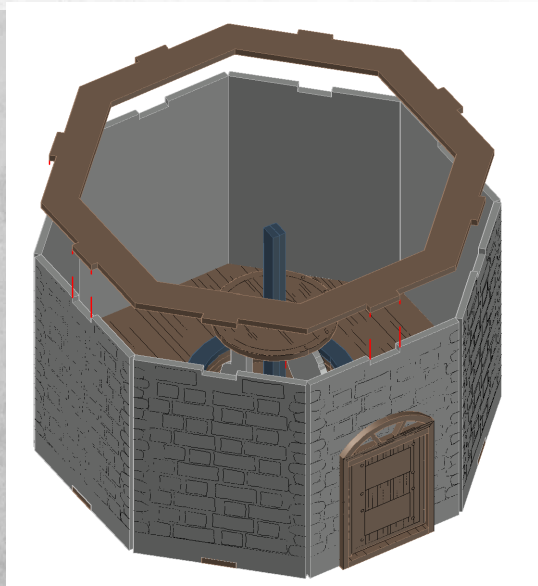
NOTE: Slide piece down

Normandy Farm - Windmill - Assembly Guide

Warning: Pushing parts out by hand may cause damage. Parts may need careful removal from the MDF boards with a scalpel, and light sanding of any rough edges. We recommend testing assembling sections before permanently gluing together.

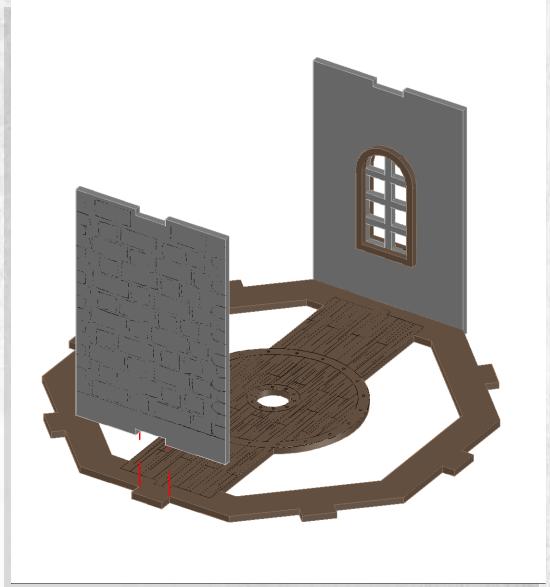
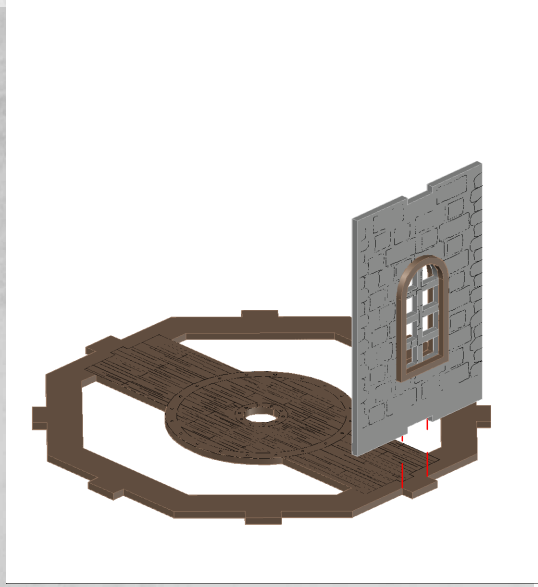


NOTE: Repeat around the rest of floor

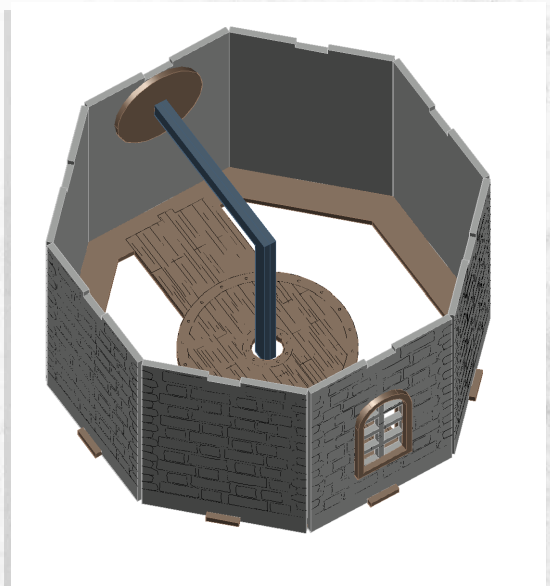
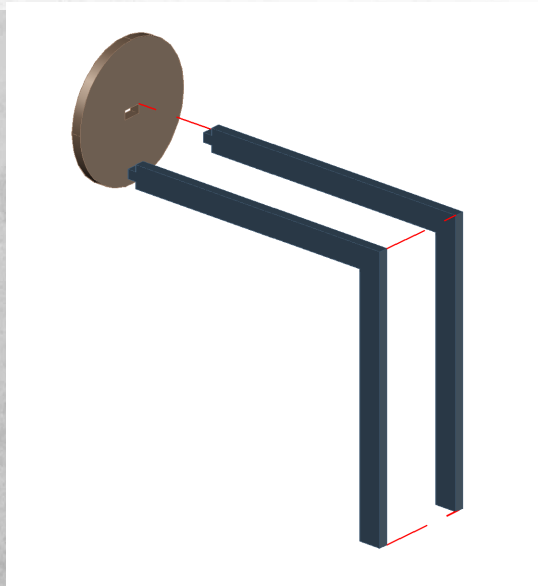


Normandy Farm - Windmill - Assembly Guide

Warning: Pushing parts out by hand may cause damage. Parts may need careful removal from the MDF boards with a scalpel, and light sanding of any rough edges. We recommend testing assembling sections before permanently gluing together.



NOTE: Repeat around the rest of floor



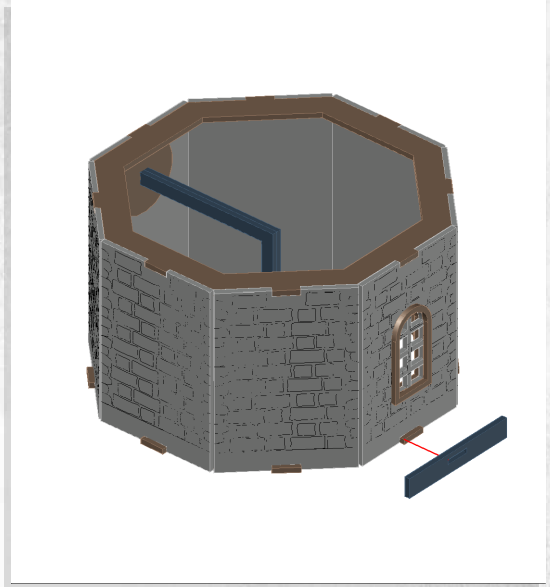
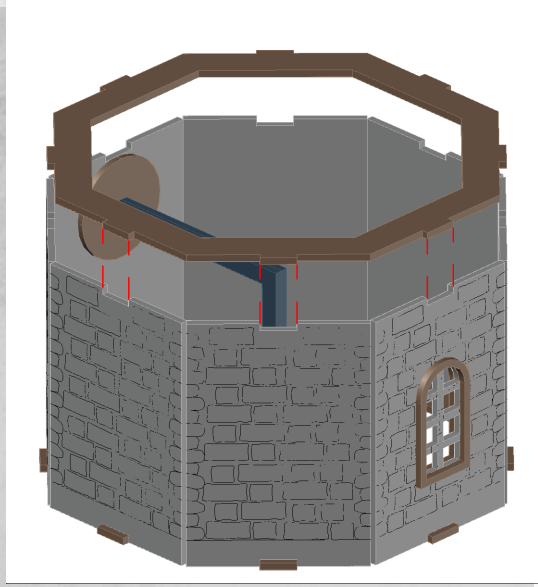
NOTE: Glue onto wall making sure post sits flush with the floor



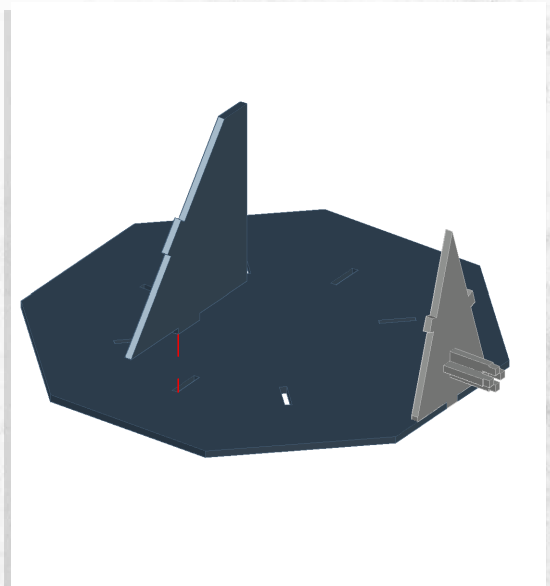
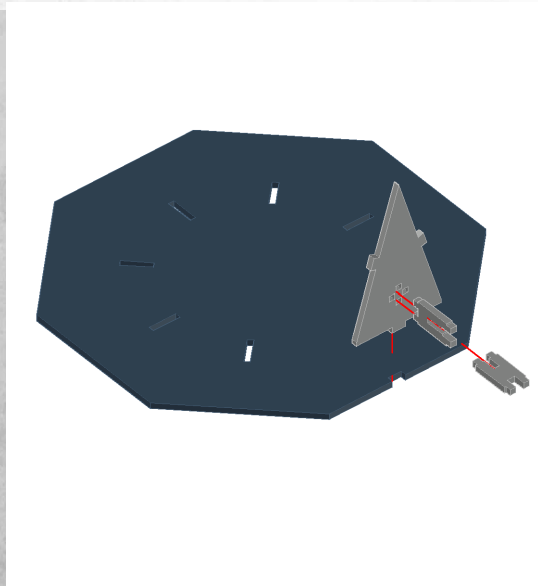
WARCRADLETM
SCENICS

Normandy Farm - Windmill - Assembly Guide

Warning: Pushing parts out by hand may cause damage. Parts may need careful removal from the MDF boards with a scalpel, and light sanding of any rough edges. We recommend testing assembling sections before permanently gluing together.



NOTE: Repeat around the rest of floor



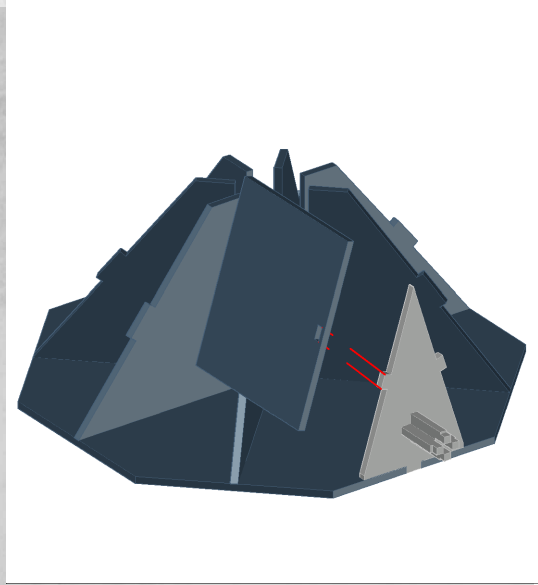
NOTE: Repeat around whole floor



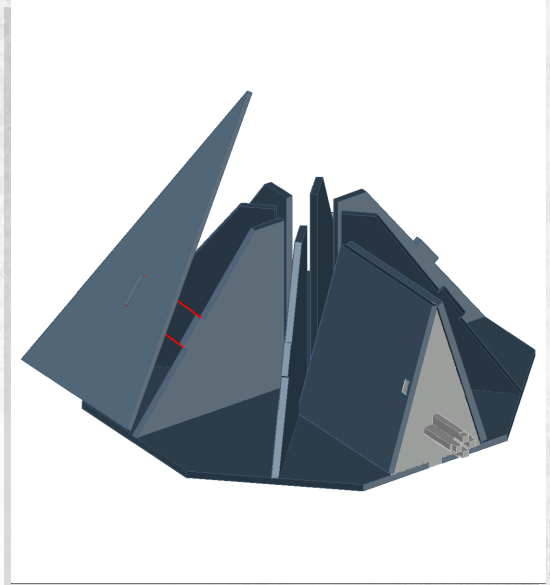
WARCRADLETM
SCENICS

Normandy Farm - Windmill - Assembly Guide

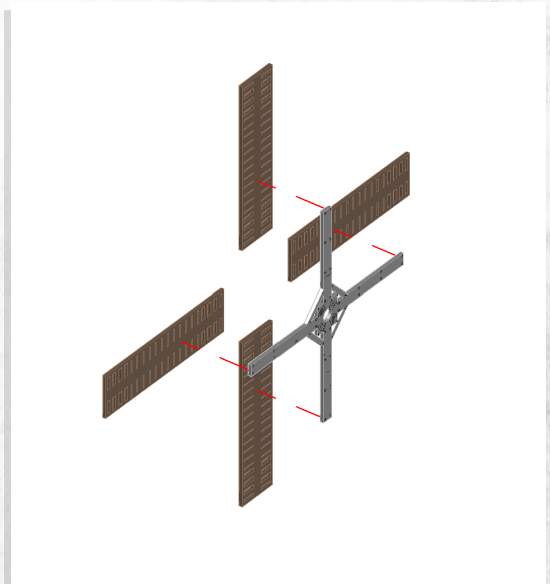
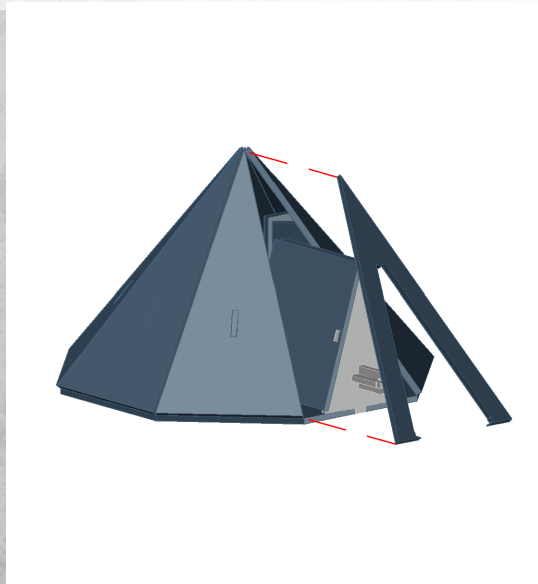
Warning: Pushing parts out by hand may cause damage. Parts may need careful removal from the MDF boards with a scalpel, and light sanding of any rough edges. We recommend testing assembling sections before permanently gluing together.



NOTE: Repeat for both sides



NOTE: Repeat around the rest of floor

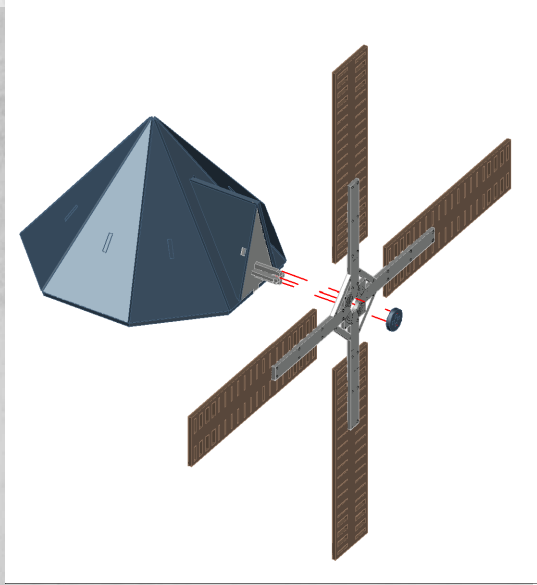




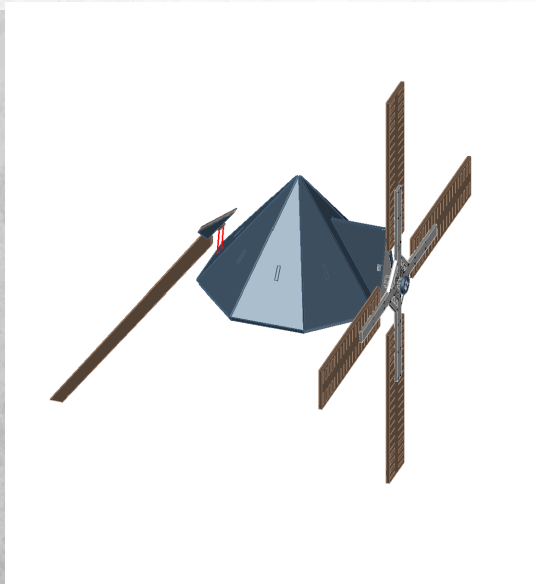
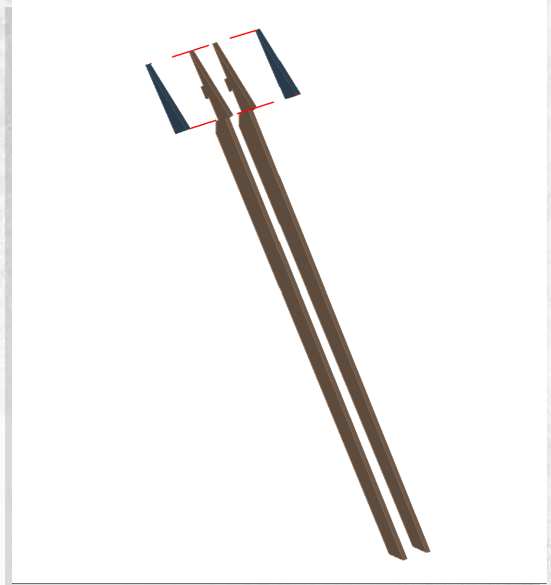
WARCRADLETM
SCENICS

Normandy Farm - Windmill - Assembly Guide

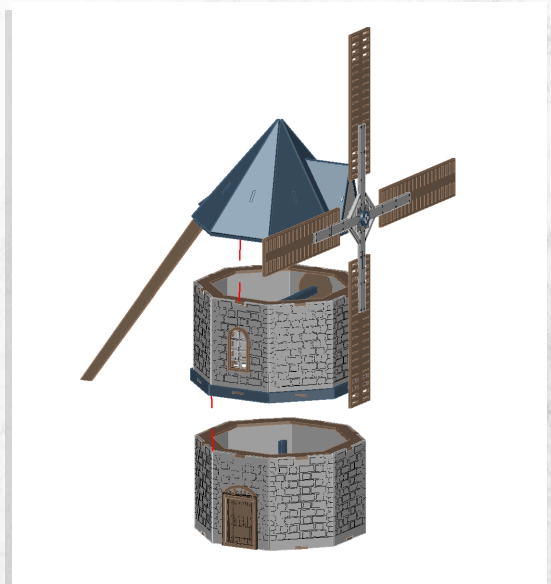
Warning: Pushing parts out by hand may cause damage. Parts may need careful removal from the MDF boards with a scalpel, and light sanding of any rough edges. We recommend testing assembling sections before permanently gluing together.



NOTE: DO NOT glue windmill blades onto roof



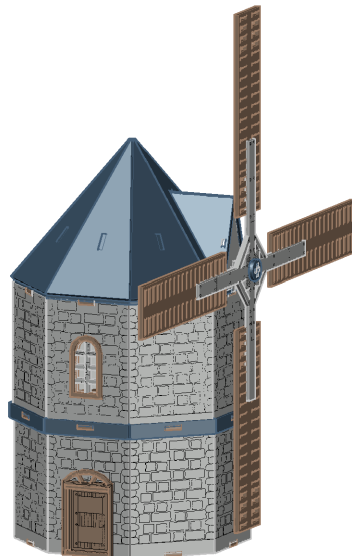
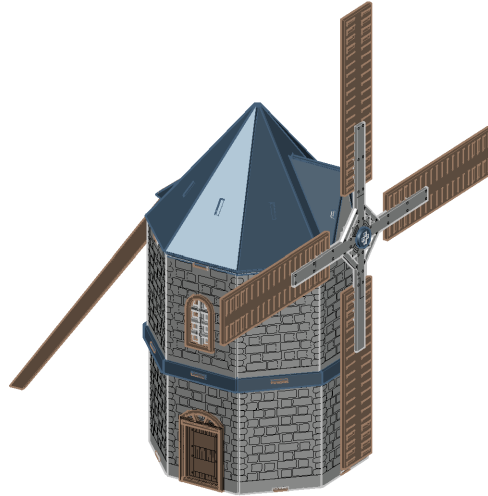
NOTE: Optional support beam



NOTE: DO NOT glue floors together

Normandy Farm - Windmill - Assembly Guide

Warning: Pushing parts out by hand may cause damage. Parts may need careful removal from the MDF boards with a scalpel, and light sanding of any rough edges. We recommend testing assembling sections before permanently gluing together.



NOTE: Without the beam