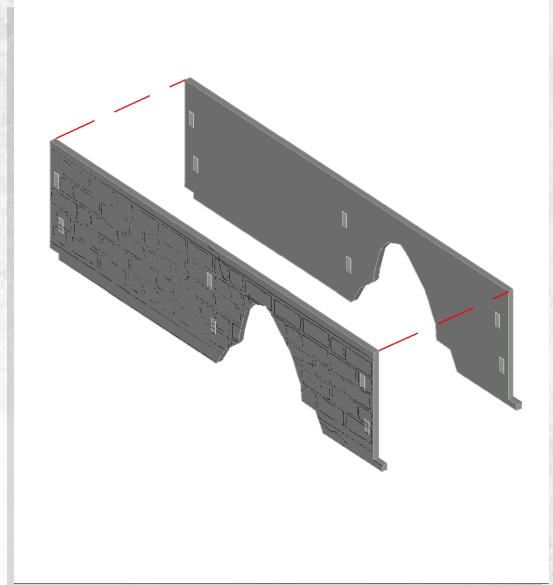
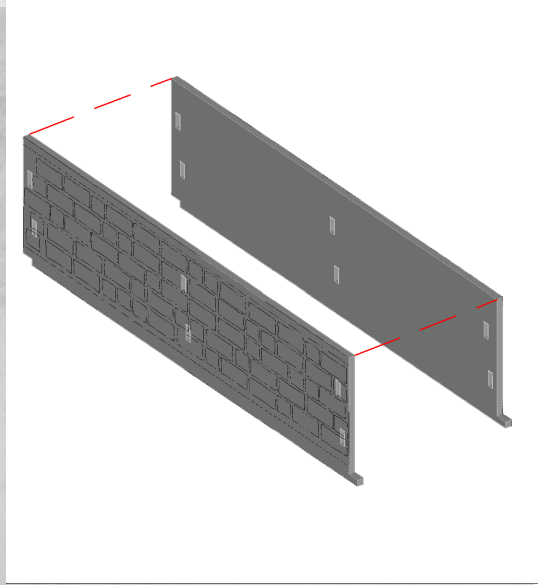




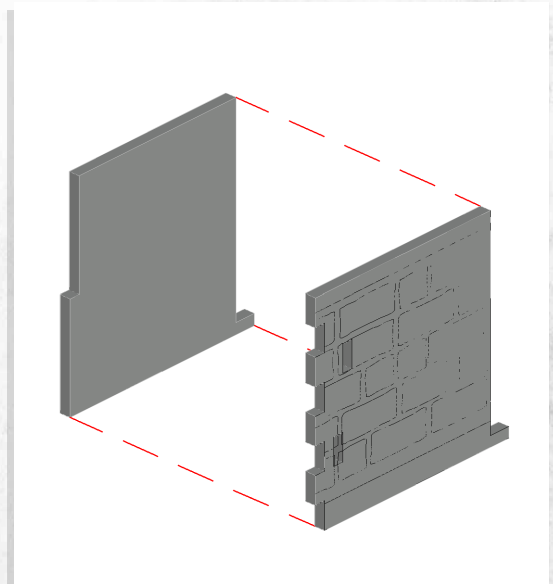
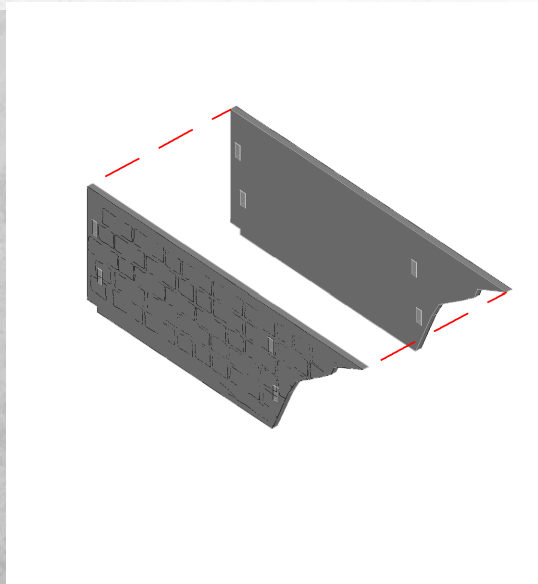
WARCRADLETM
SCENICS

Normandy Farm - Walls - Assembly Guide

Warning: Pushing parts out by hand may cause damage. Parts may need careful removal from the MDF boards with a scalpel, and light sanding of any rough edges. We recommend testing assembling sections before permanently gluing together.



NOTE: Repeat for all



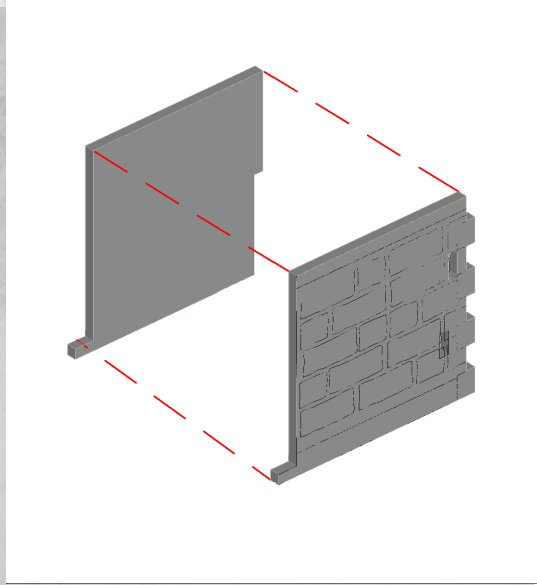
NOTE: Repeat for all



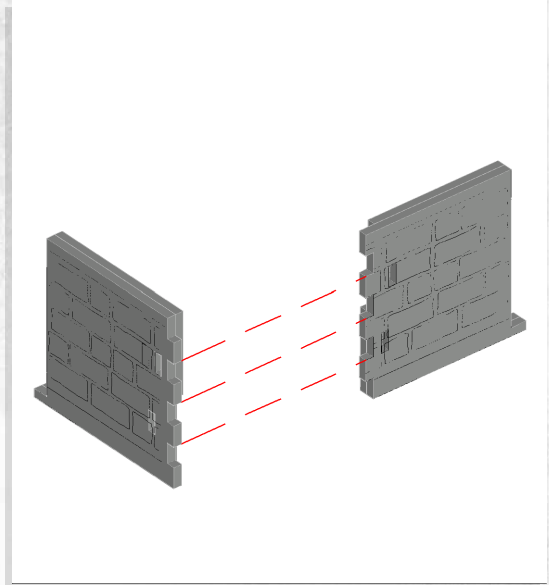
WARCRADLETM
SCENICS

Normandy Farm - Walls - Assembly Guide

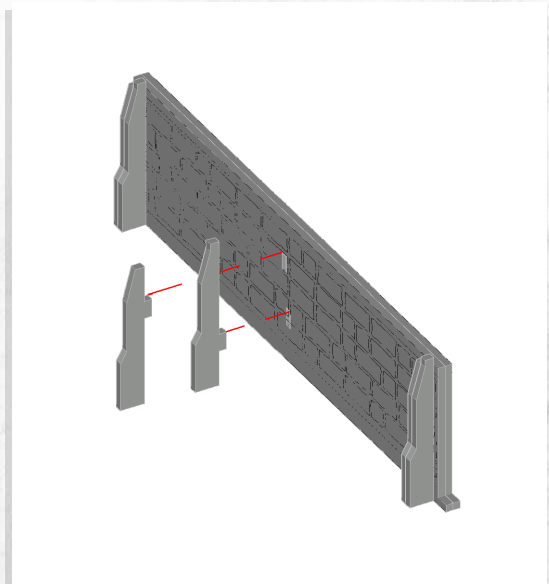
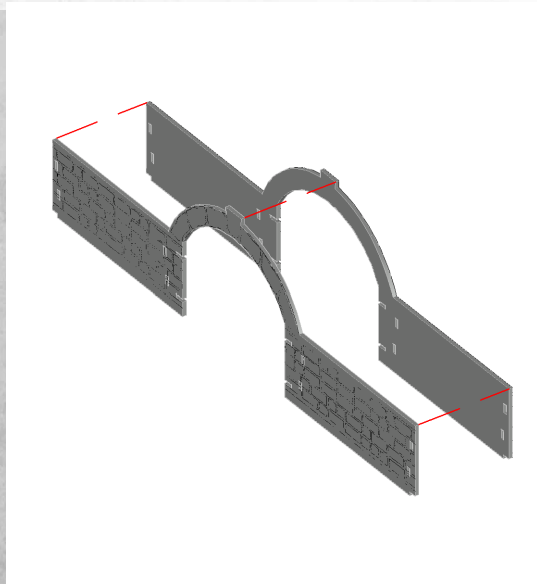
Warning: Pushing parts out by hand may cause damage. Parts may need careful removal from the MDF boards with a scalpel, and light sanding of any rough edges. We recommend testing assembling sections before permanently gluing together.



NOTE: Repeat for all

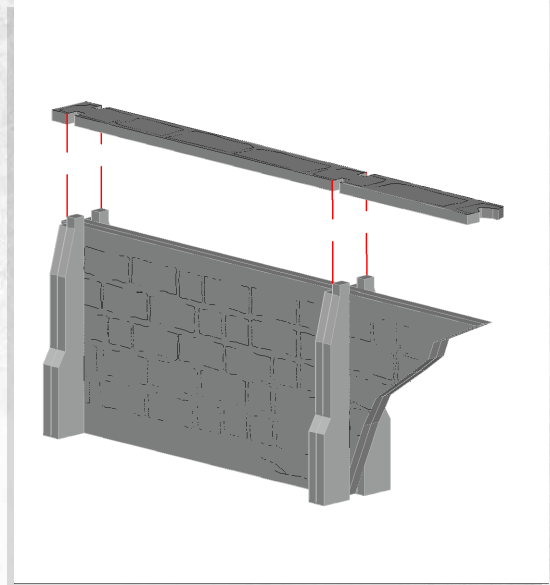
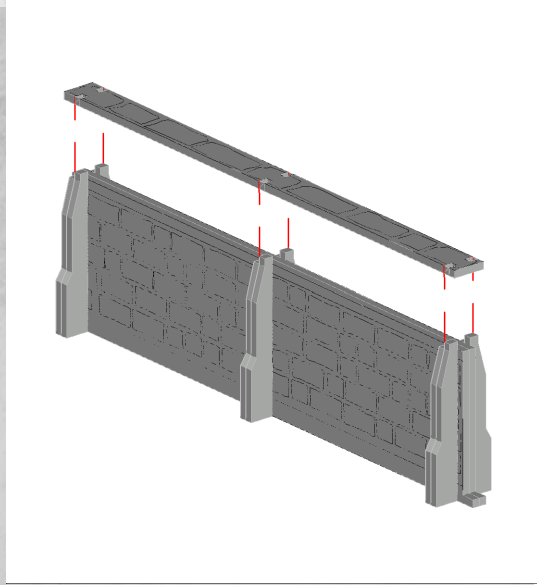


NOTE: Repeat for all

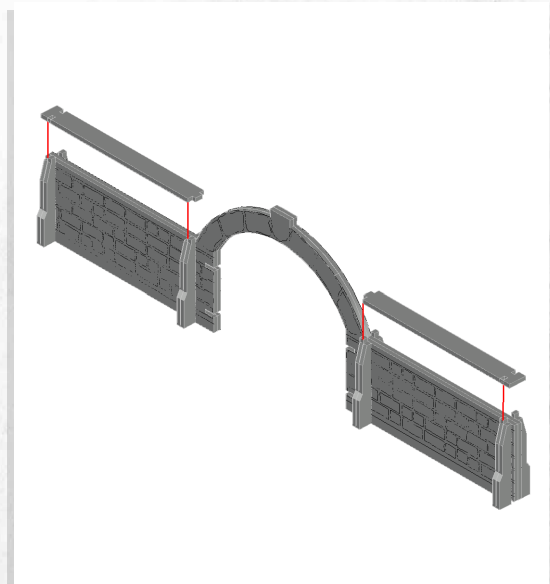
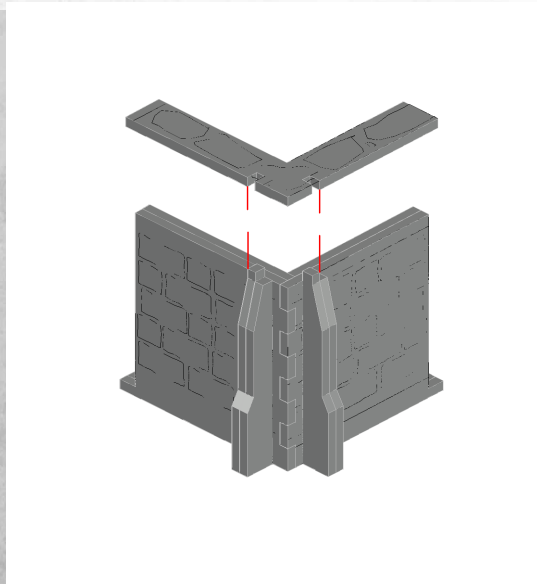


Normandy Farm - Walls - Assembly Guide

Warning: Pushing parts out by hand may cause damage. Parts may need careful removal from the MDF boards with a scalpel, and light sanding of any rough edges. We recommend testing assembling sections before permanently gluing together.



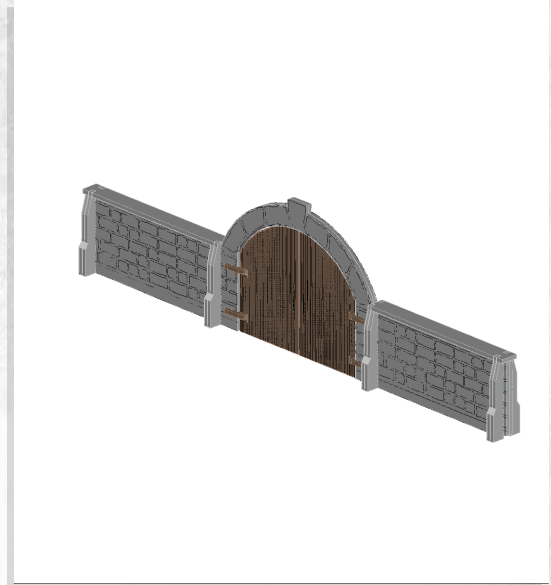
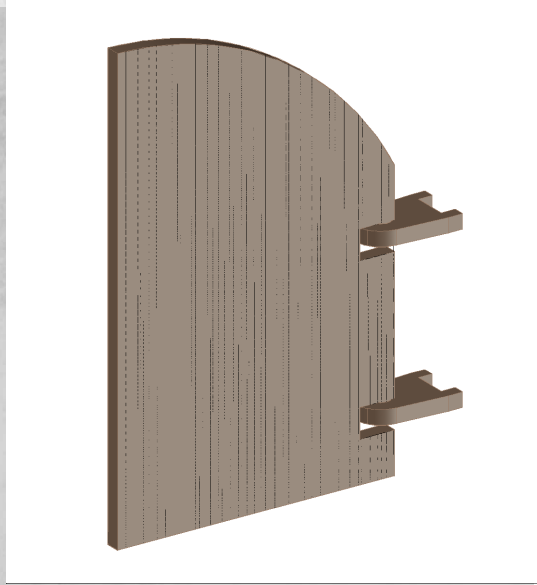
NOTE: Repeat for all walls, on all tab connections



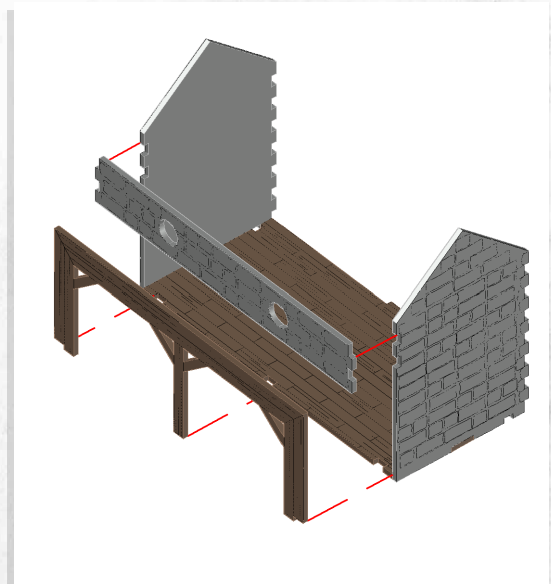
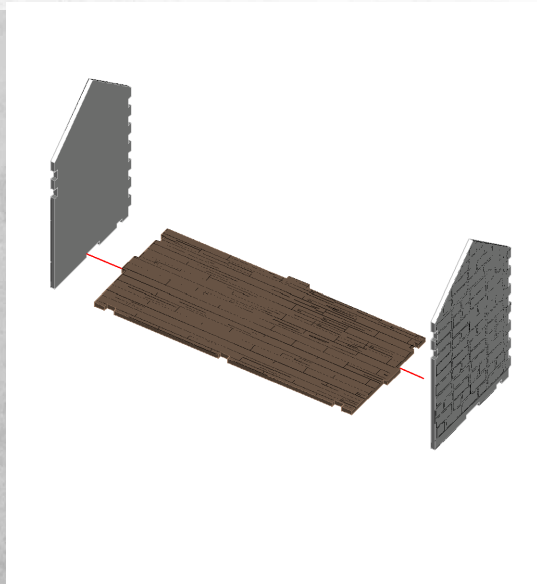
NOTE: Repeat for all

Normandy Farm - Walls - Assembly Guide

Warning: Pushing parts out by hand may cause damage. Parts may need careful removal from the MDF boards with a scalpel, and light sanding of any rough edges. We recommend testing assembling sections before permanently gluing together.



NOTE: DO NOT glue door onto hinges, repeat for both

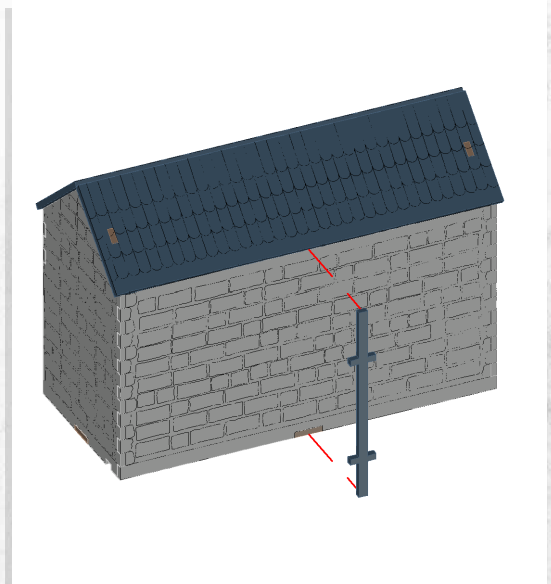
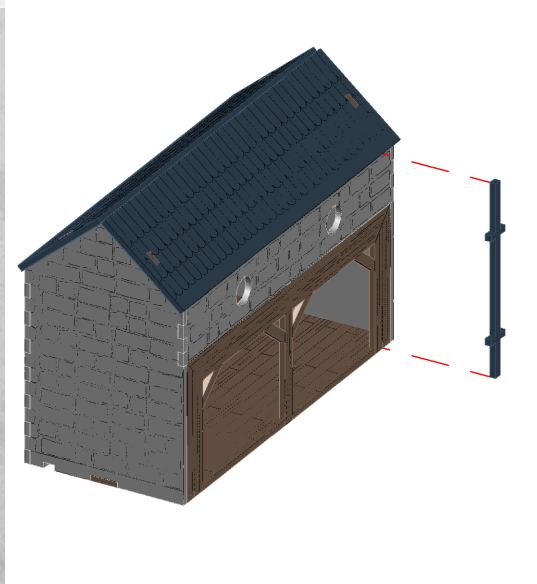
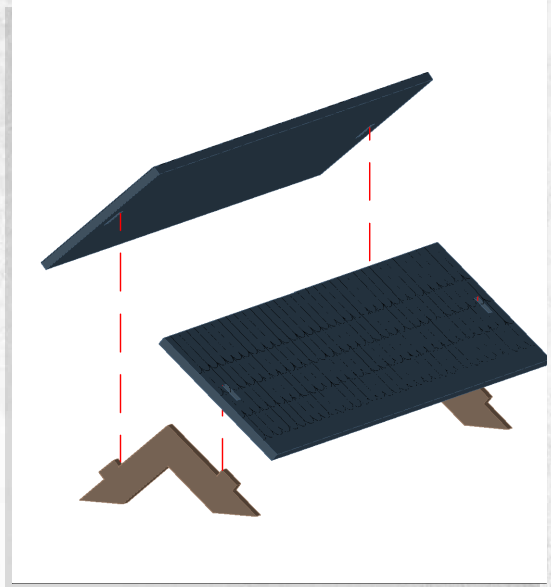
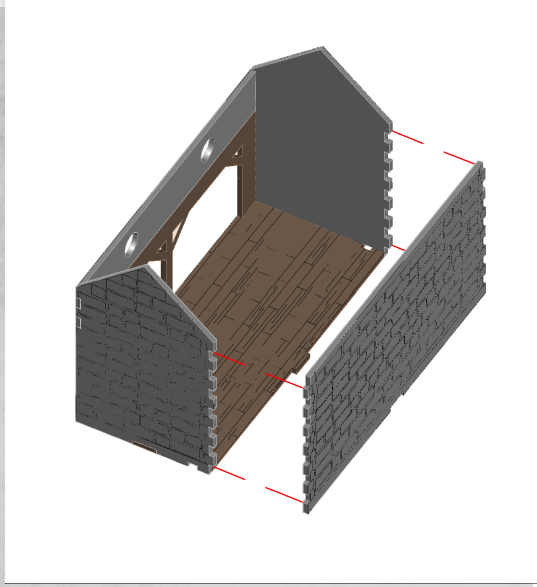




WARCRADLETM
SCENICS

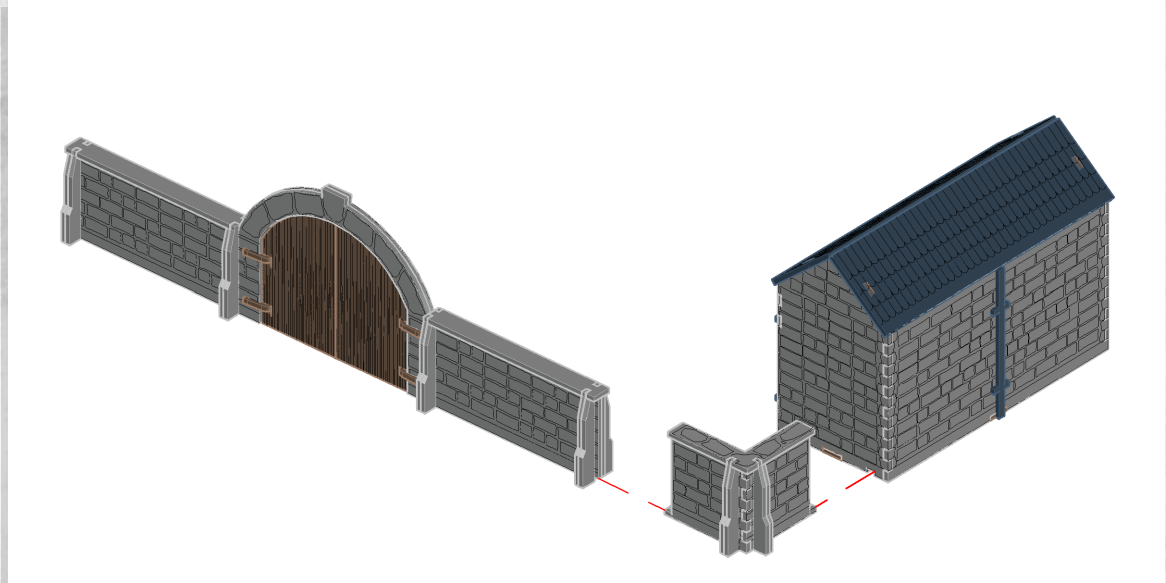
Normandy Farm - Walls - Assembly Guide

Warning: Pushing parts out by hand may cause damage. Parts may need careful removal from the MDF boards with a scalpel, and light sanding of any rough edges. We recommend testing assembling sections before permanently gluing together.



Normandy Farm - Walls - Assembly Guide

Warning: Pushing parts out by hand may cause damage. Parts may need careful removal from the MDF boards with a scalpel, and light sanding of any rough edges. We recommend testing assembling sections before permanently gluing together.



NOTE: DO NOT use glue when connecting walls, walls can be placed in numerous configurations and compatible with other buildings in the range