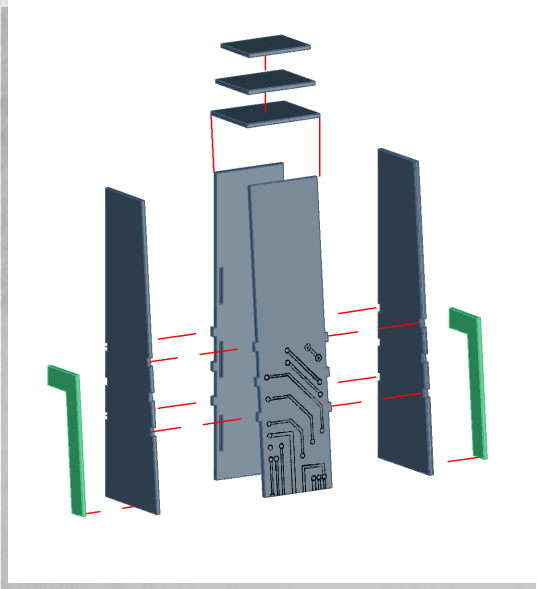


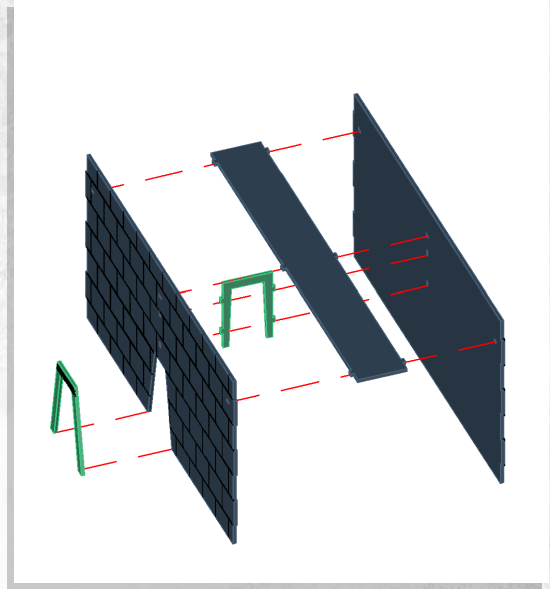


Immortal Tombs - Walls - Assembly Guide

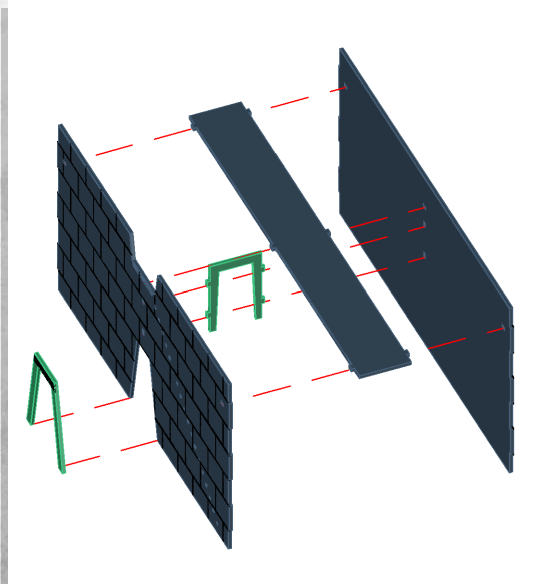
Warning: Pushing parts out by hand may cause damage. Parts may need careful removal from the MDF boards with a scalpel, and light sanding of any rough edges. We recommend testing assembling sections before permanently gluing together.



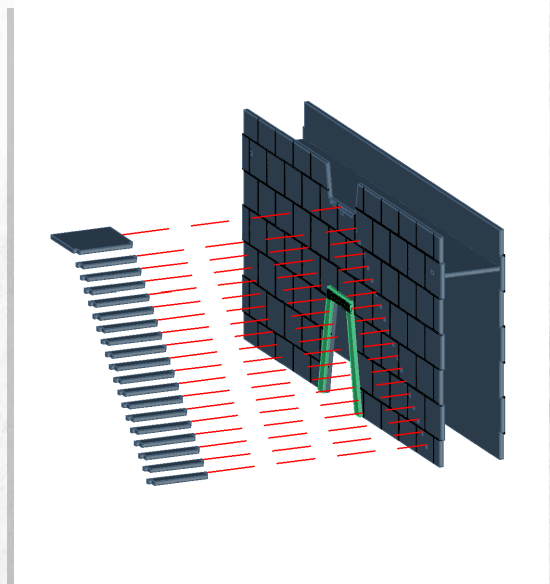
NOTE: Repeat. Repeat for mirror imaged



NOTE: Repeat.



NOTE: Repeat.



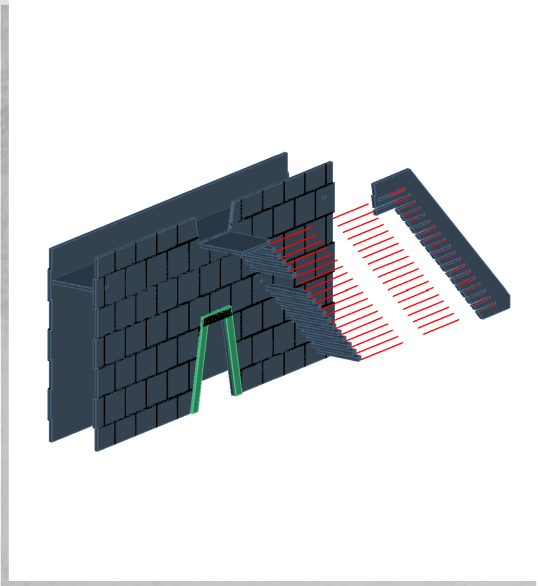
NOTE: Repeat.



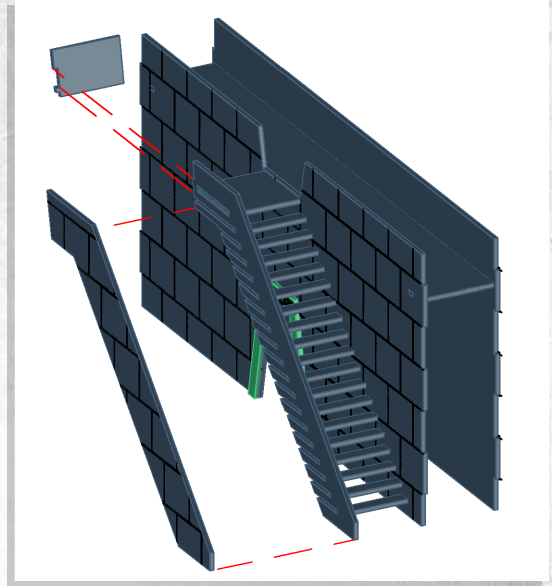
WARCRADLETM
SCENICS

Immortal Tombs - Walls - Assembly Guide

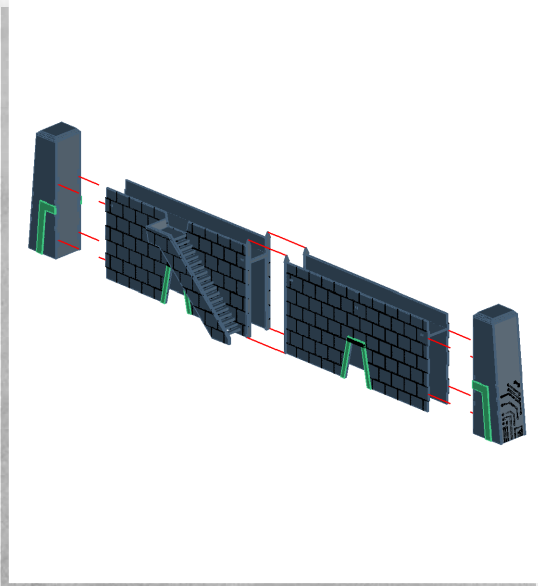
Warning: Pushing parts out by hand may cause damage. Parts may need careful removal from the MDF boards with a scalpel, and light sanding of any rough edges. We recommend testing assembling sections before permanently gluing together.



NOTE: Repeat. Repeat for mirror imaged



NOTE: Repeat.



NOTE: Repeat.

