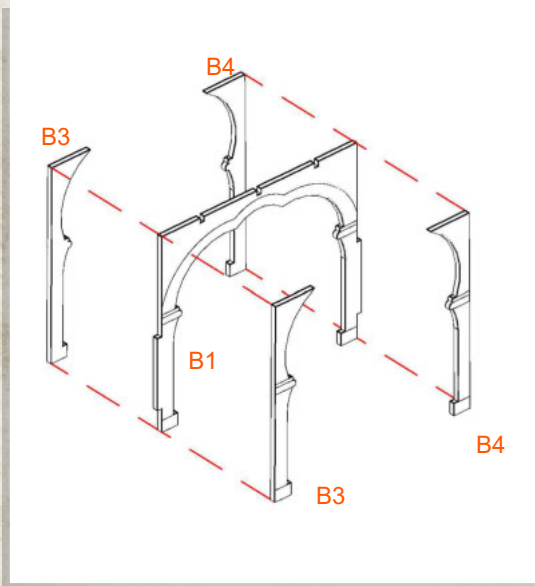


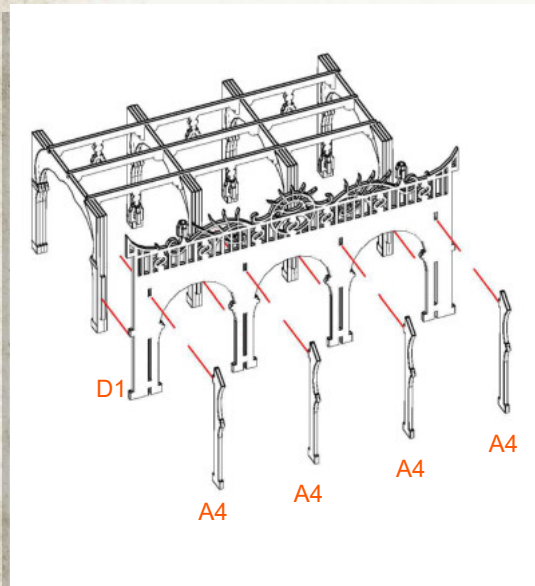
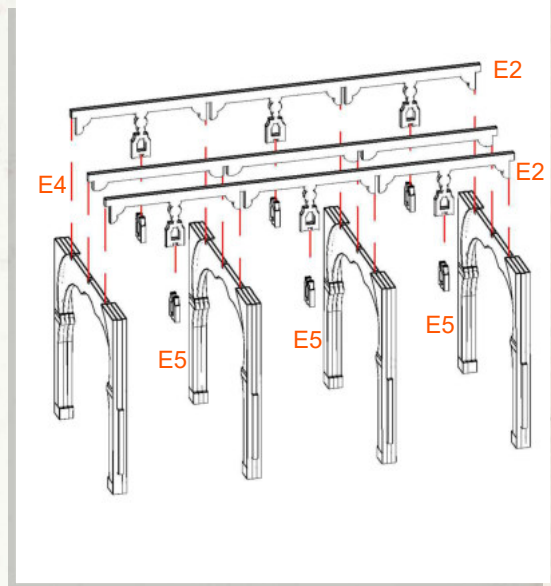


Rio Sonora - Arcade B - Assembly Guide

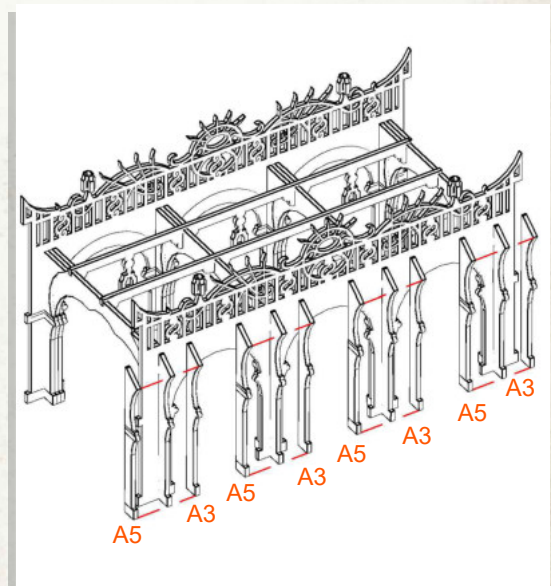
Parts may need careful removal from the MDF boards with a scalpel, and light sanding of any rough edges. We recommend testing assembling sections before permanently gluing together.



NOTE: Repeat for all four arches



NOTE: Repeat for the opposite side

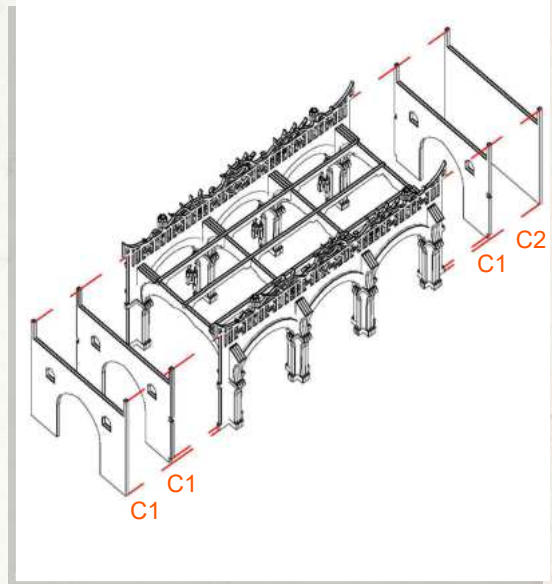
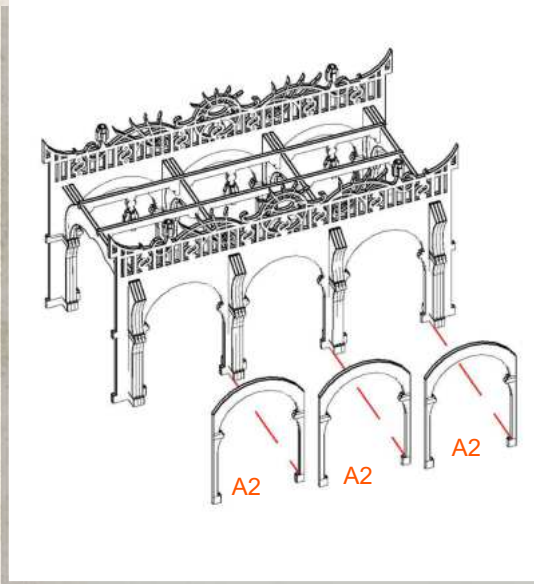


NOTE: Repeat for the opposite side

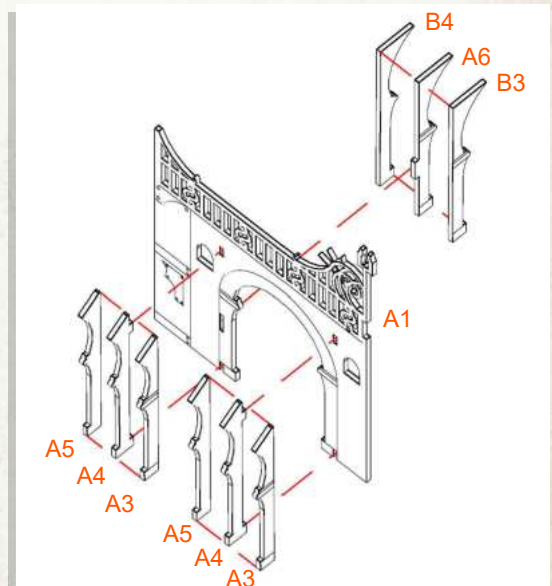
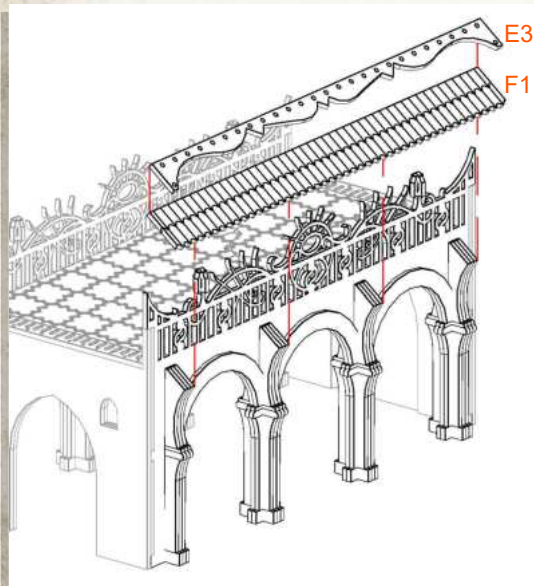


Rio Sonora - Arcade B - Assembly Guide

Parts may need careful removal from the MDF boards with a scalpel, and light sanding of any rough edges. We recommend testing assembling sections before permanently gluing together.



NOTE: Repeat for the opposite side

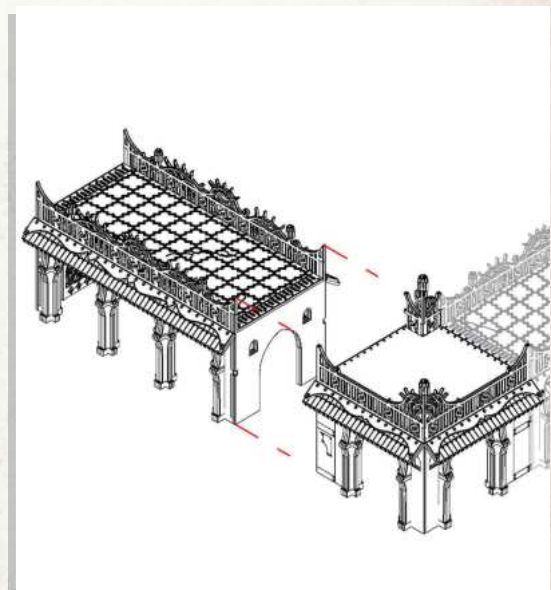
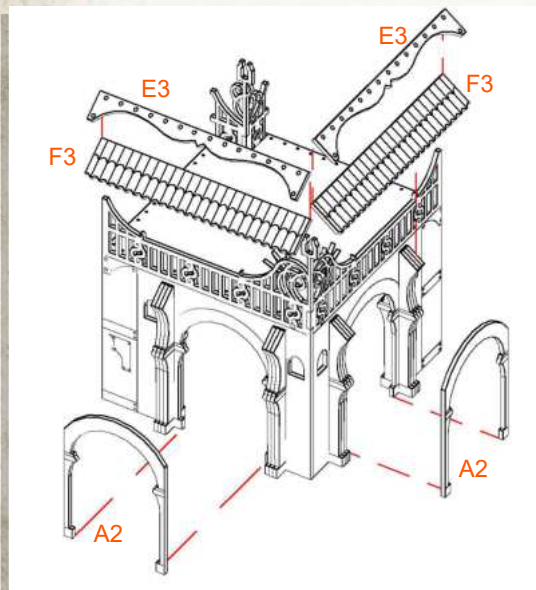
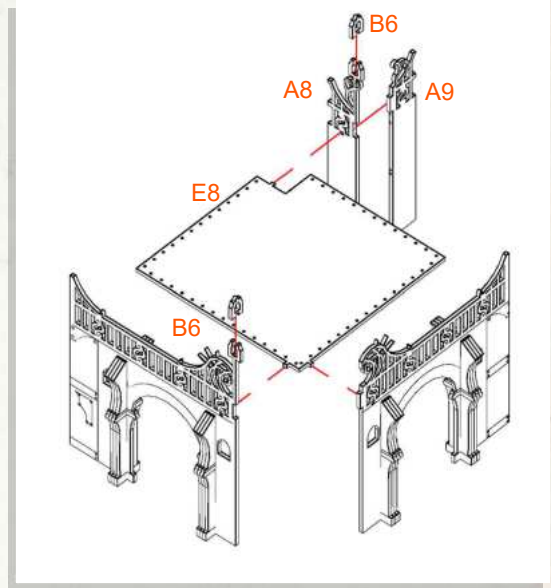
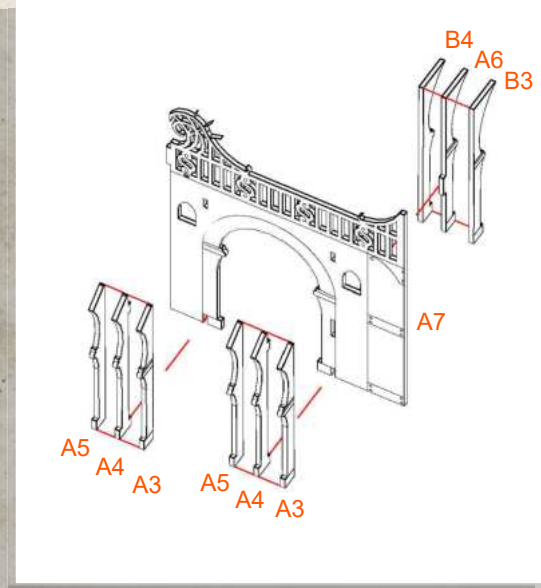


NOTE: Repeat for the opposite side



Rio Sonora - Arcade B - Assembly Guide

Parts may need careful removal from the MDF boards with a scalpel, and light sanding of any rough edges. We recommend testing assembling sections before permanently gluing together.



NOTE: Line up the cornerpiece with the Arcade. Glue not needed. Can fit with other Arcade products