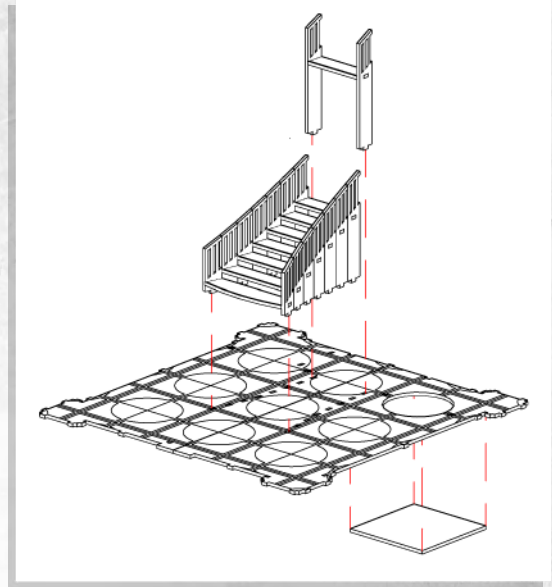
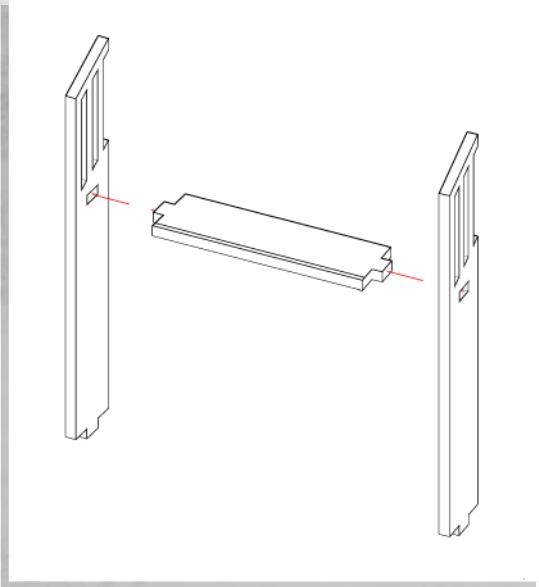


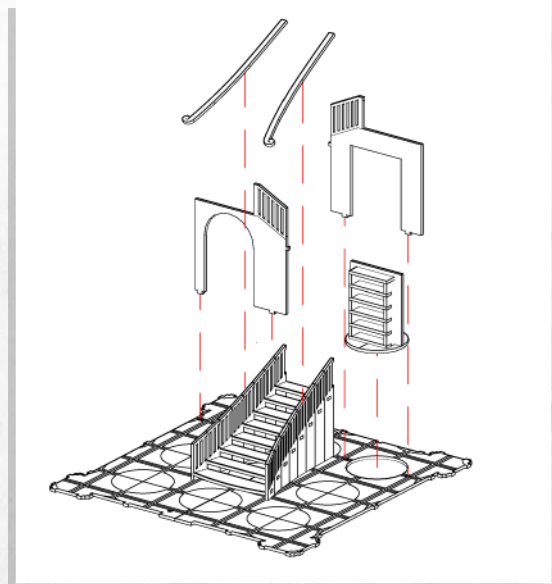
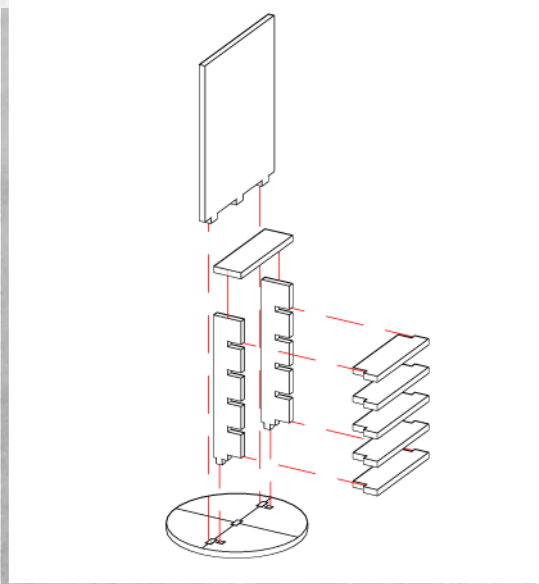


Super City - Mystic Mansion - Assembly Guide

Parts may need careful removal from the MDF boards with a scalpel, and light sanding of any rough edges. We recommend testing assembling sections before permanently gluing together.



NOTE: Use parts labelled 1-8.



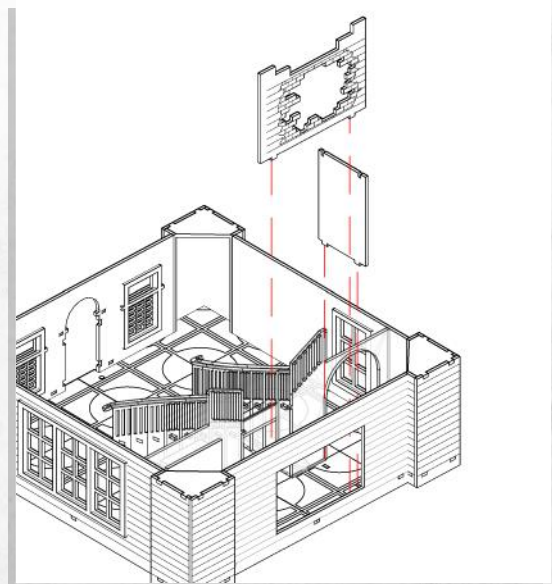
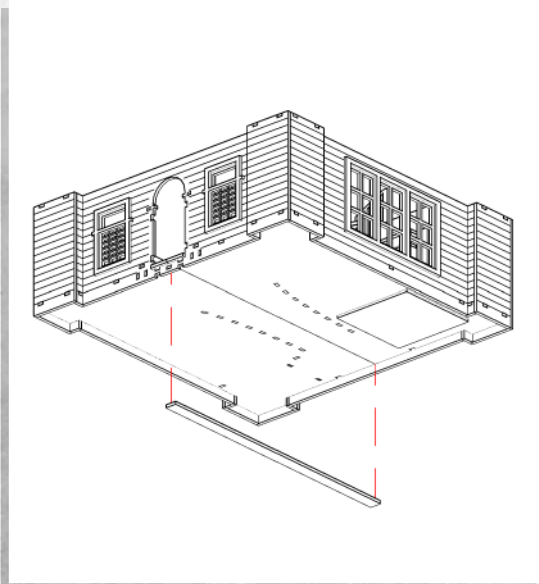
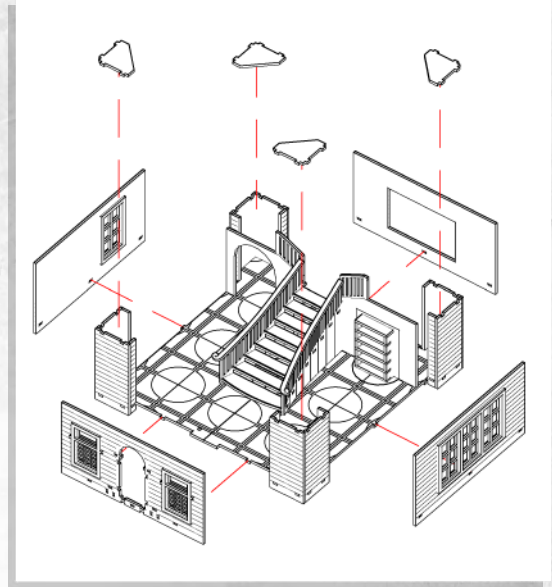
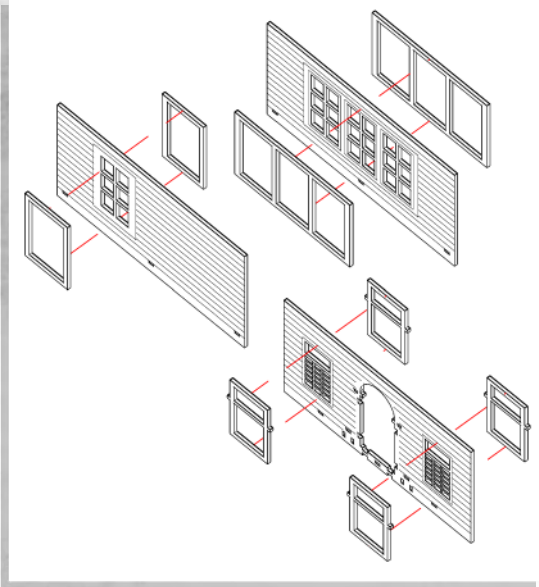
NOTE: Do not apply glue to the bookcase.





Super City - Mystic Mansion - Assembly Guide

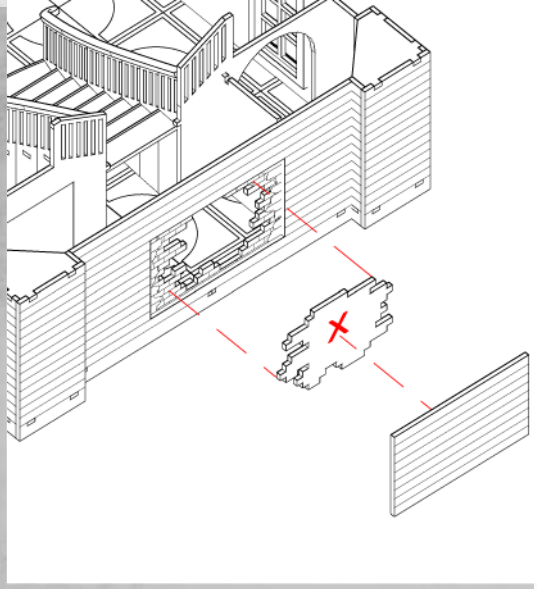
Parts may need careful removal from the MDF boards with a scalpel, and light sanding of any rough edges. We recommend testing assembling sections before permanently gluing together.



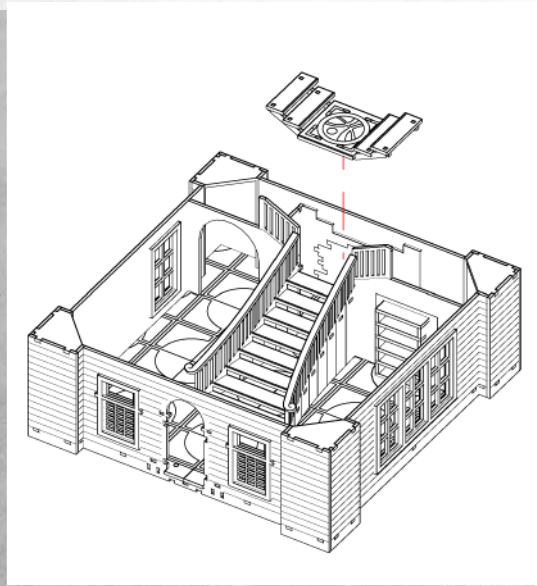
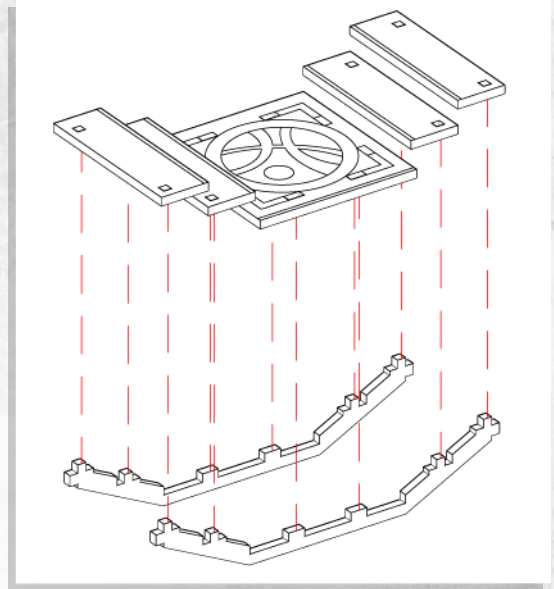


Super City - Mystic Mansion - Assembly Guide

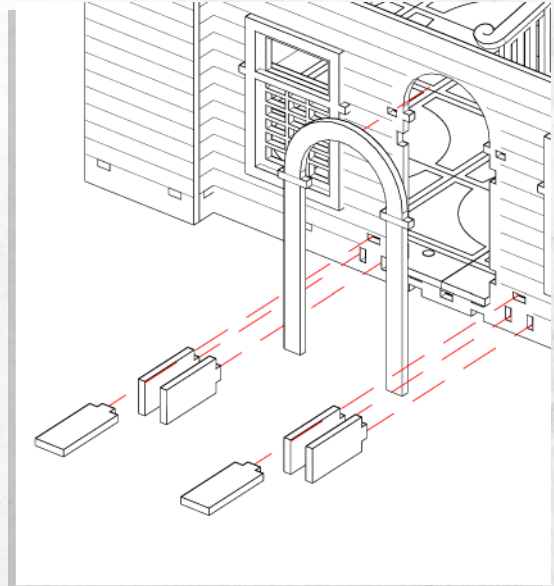
Parts may need careful removal from the MDF boards with a scalpel, and light sanding of any rough edges. We recommend testing assembling sections before permanently gluing together.



NOTE: Only apply glue to face X.



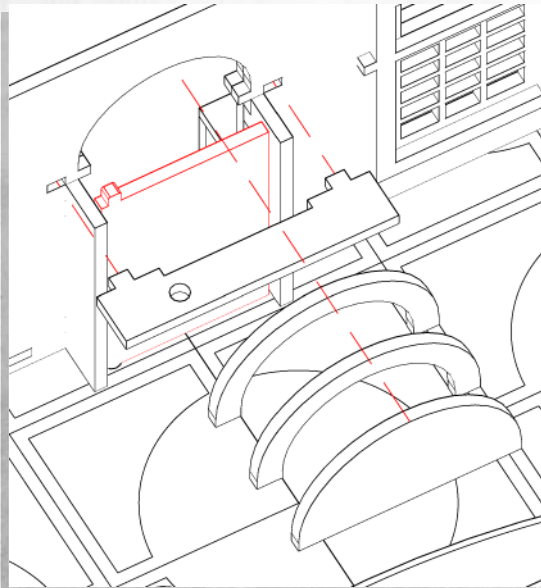
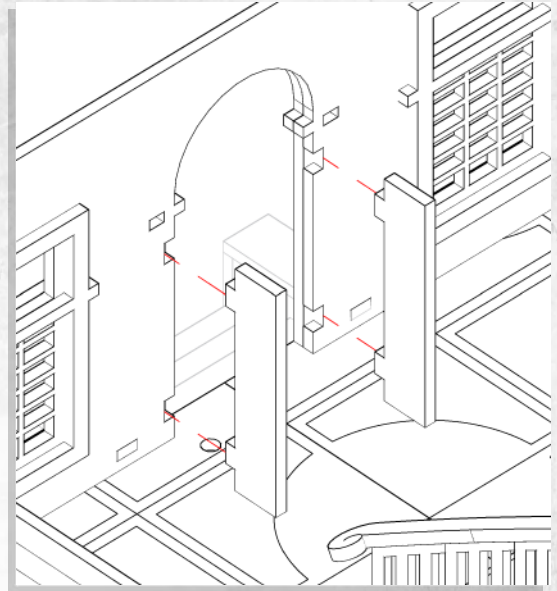
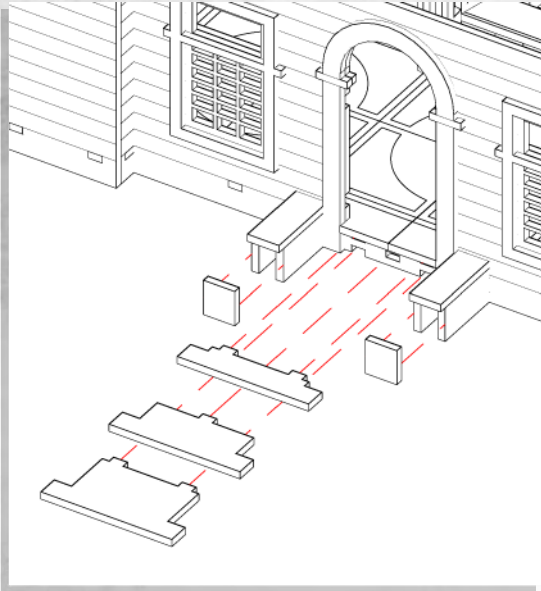
NOTE: Do not use glue.



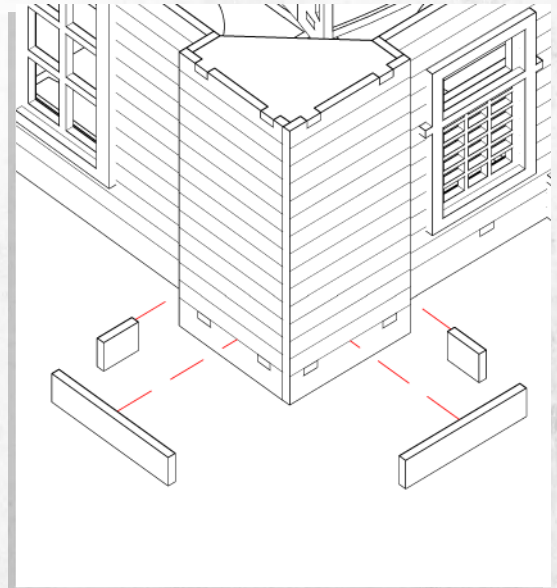


Super City - Mystic Mansion - Assembly Guide

Parts may need careful removal from the MDF boards with a scalpel, and light sanding of any rough edges. We recommend testing assembling sections before permanently gluing together.



NOTE: Slot the door in place, without gluing.



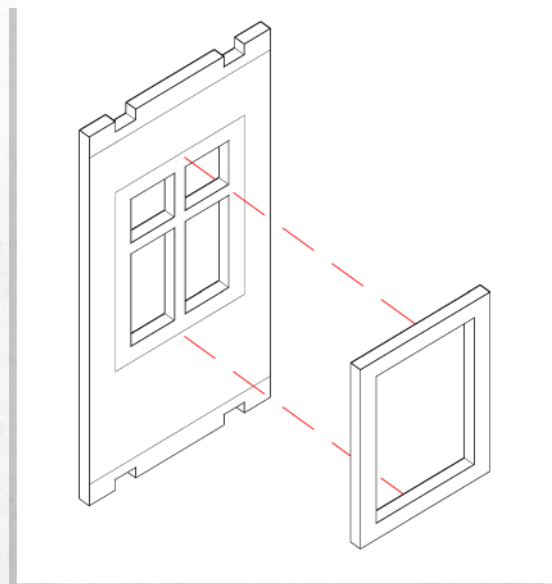
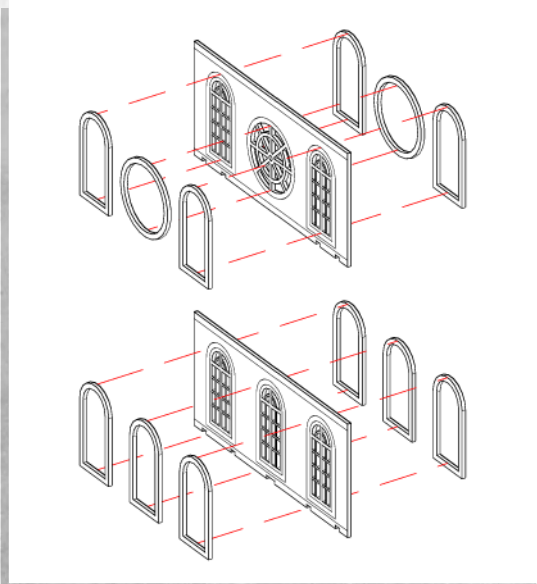
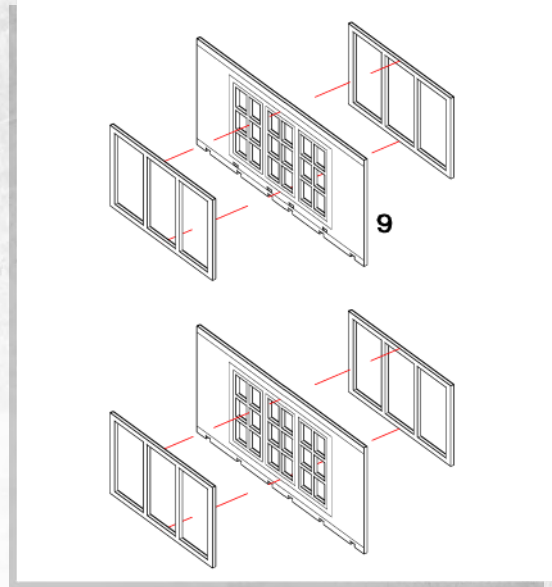
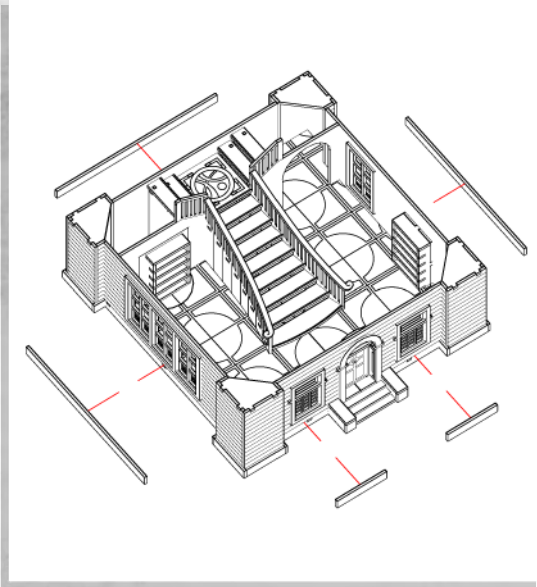
NOTE: Repeat on all 4 corners.





Super City - Mystic Mansion - Assembly Guide

Parts may need careful removal from the MDF boards with a scalpel, and light sanding of any rough edges. We recommend testing assembling sections before permanently gluing together.



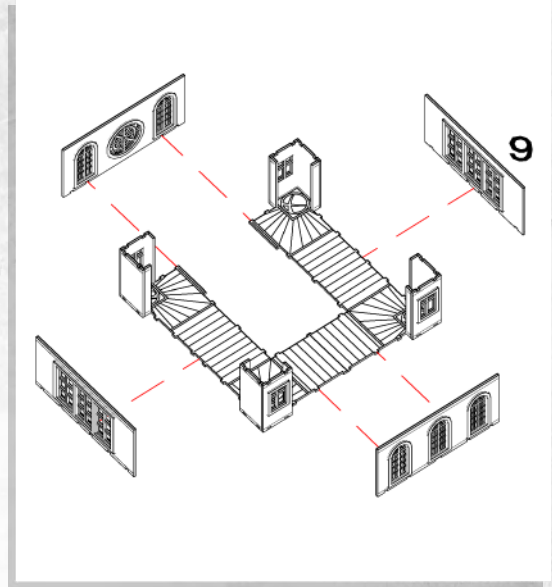
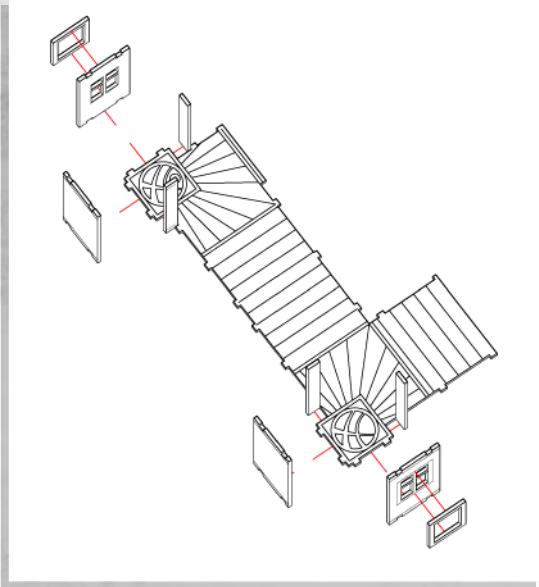
NOTE: Repeat 4 times.



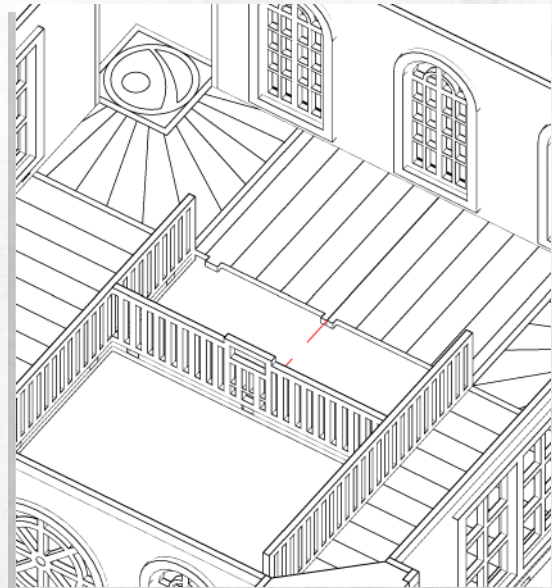
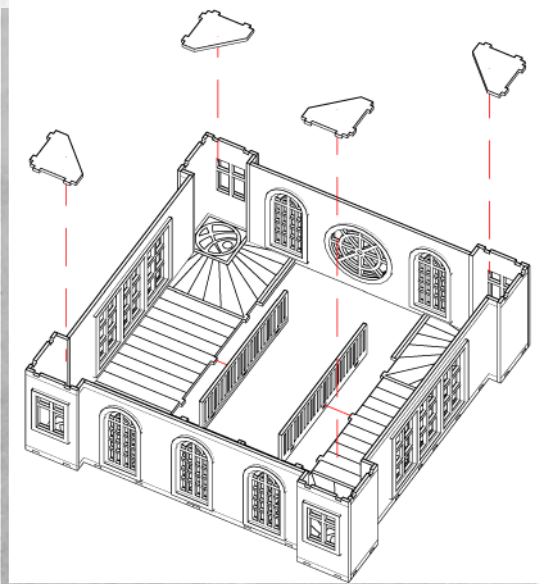


Super City - Mystic Mansion - Assembly Guide

Parts may need careful removal from the MDF boards with a scalpel, and light sanding of any rough edges. We recommend testing assembling sections before permanently gluing together.



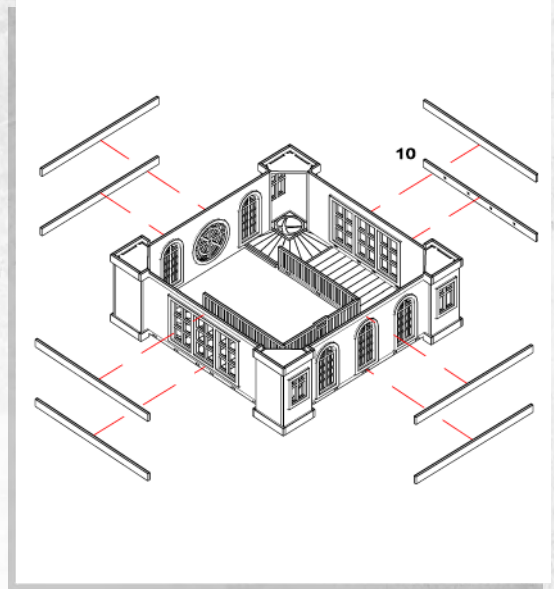
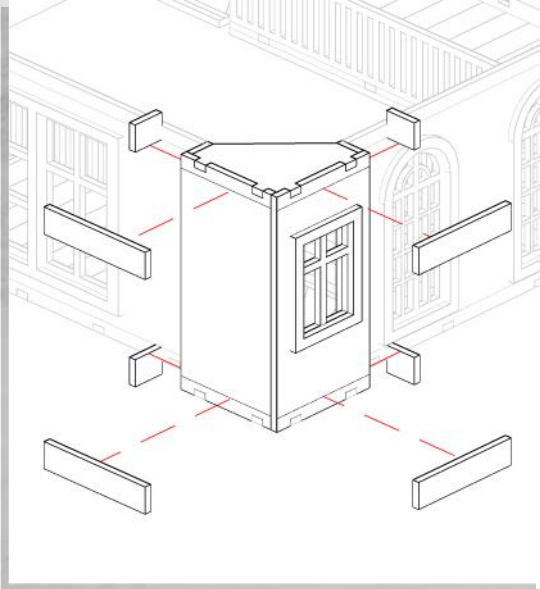
NOTE: Repeat for mirrored version.



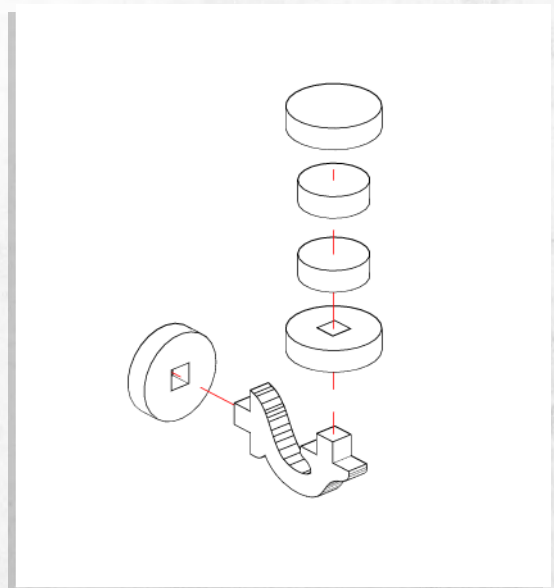
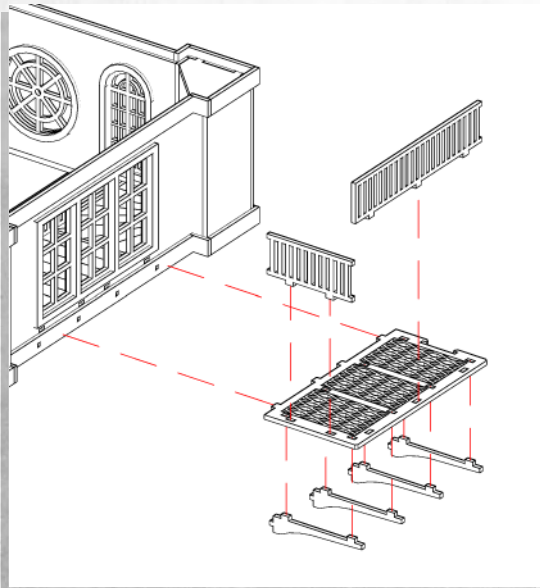


Super City - Mystic Mansion - Assembly Guide

Parts may need careful removal from the MDF boards with a scalpel, and light sanding of any rough edges. We recommend testing assembling sections before permanently gluing together.



NOTE: Repeat on all 4 corners.



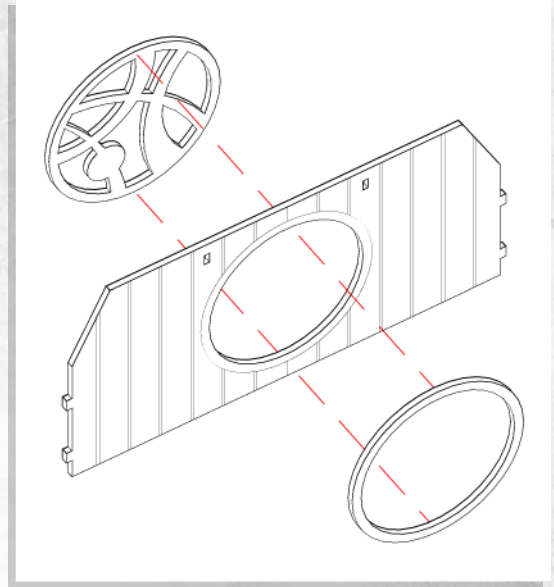
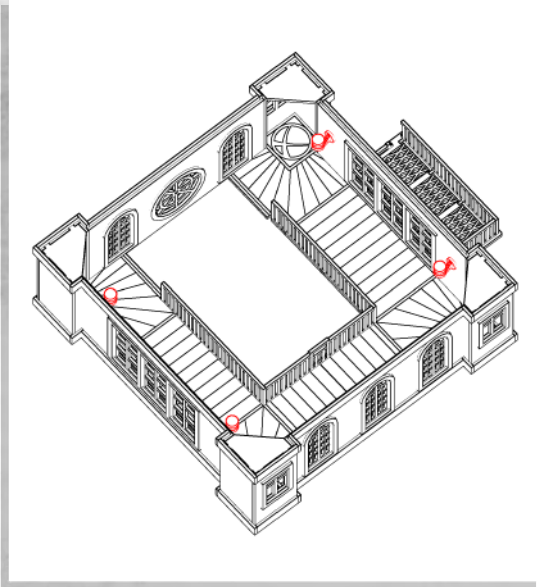
NOTE: Repeat 4 times.



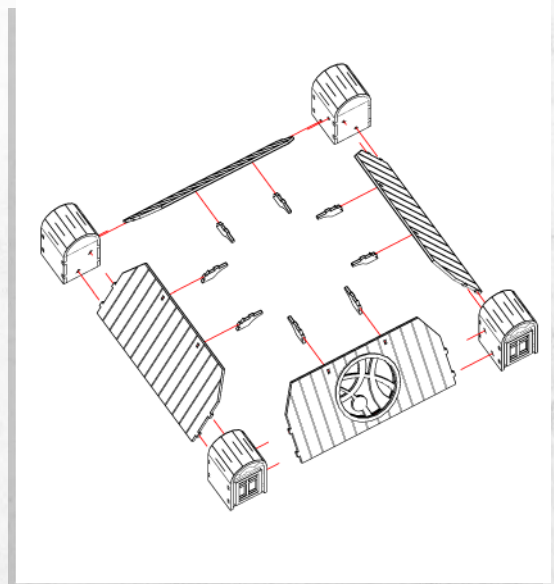
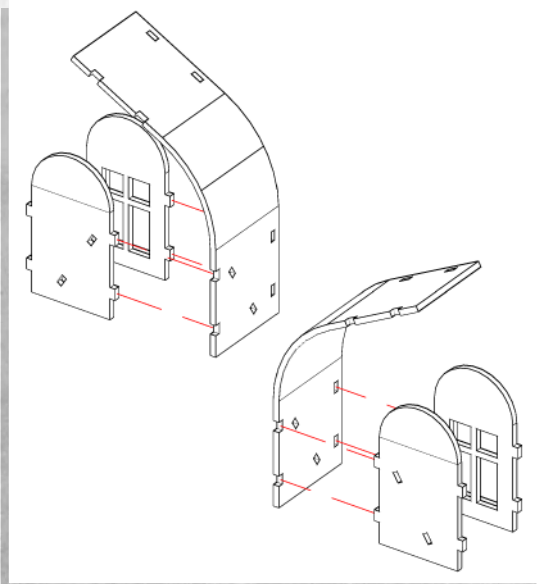


Super City - Mystic Mansion - Assembly Guide

Parts may need careful removal from the MDF boards with a scalpel, and light sanding of any rough edges. We recommend testing assembling sections before permanently gluing together.



NOTE: Lights can be glued where desired.



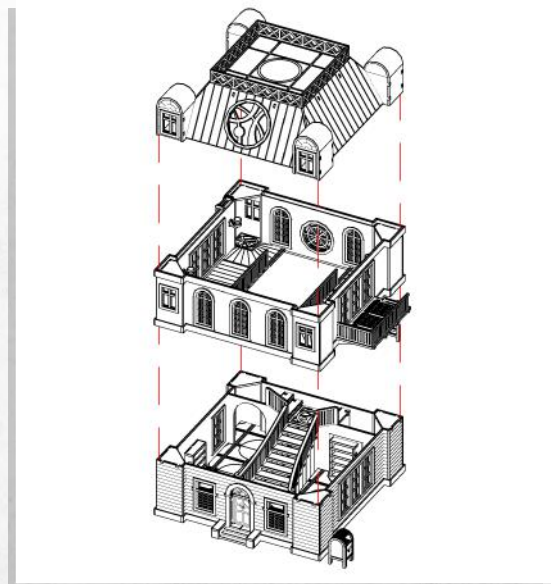
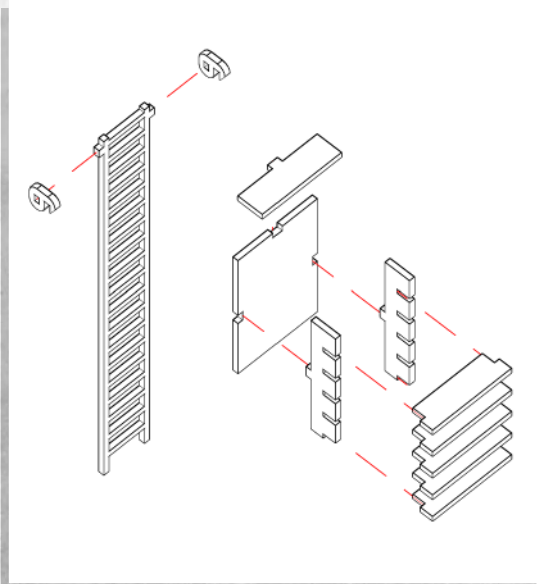
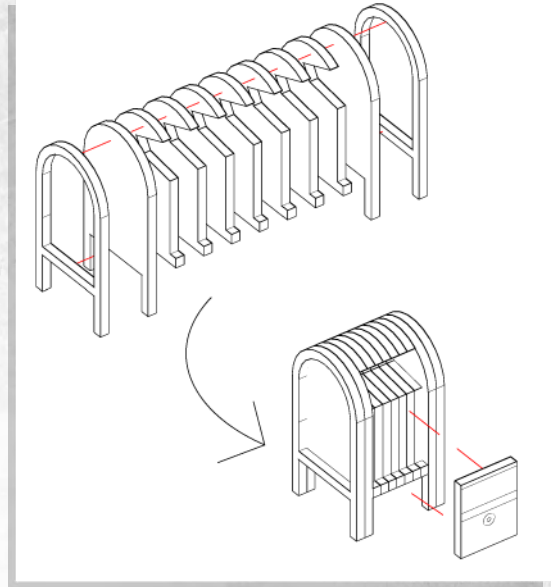
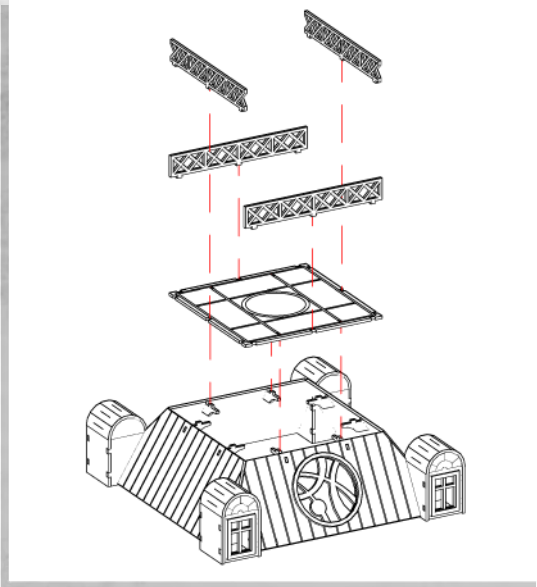
NOTE: Repeat.





Super City - Mystic Mansion - Assembly Guide

Parts may need careful removal from the MDF boards with a scalpel, and light sanding of any rough edges. We recommend testing assembling sections before permanently gluing together.



NOTE: Do not glue.

