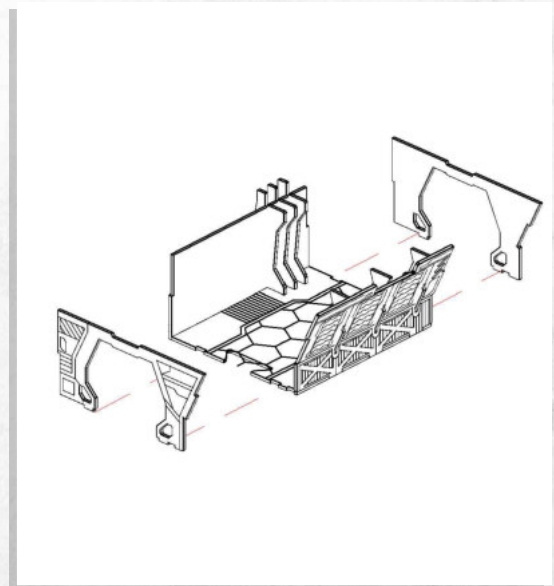
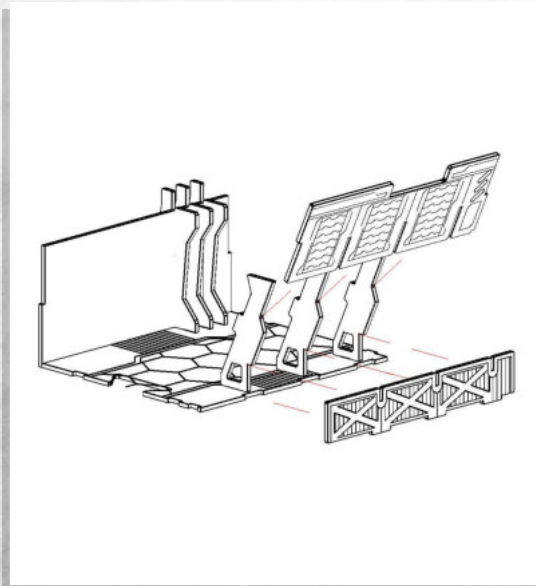
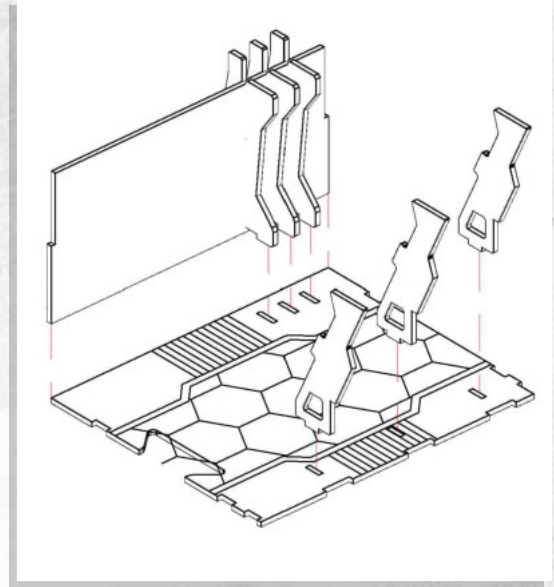
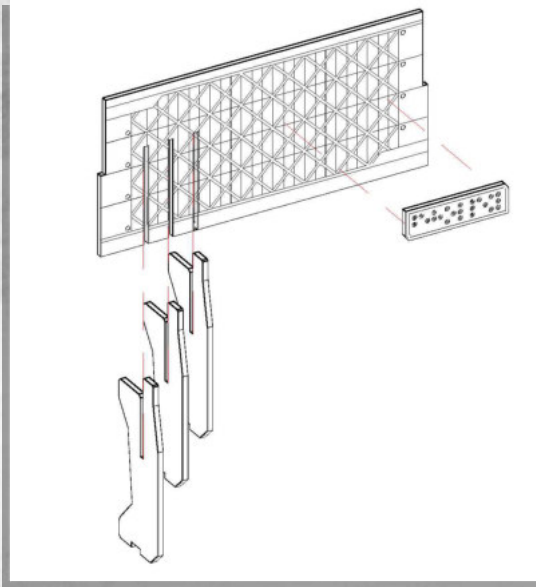




WARCRADLETM
SCENICS

Outpost Attica - Satellite - Assembly Guide

Parts may need careful removal from the MDF boards with a scalpel, and light sanding of any rough edges. We recommend testing assembling sections before permanently gluing together.

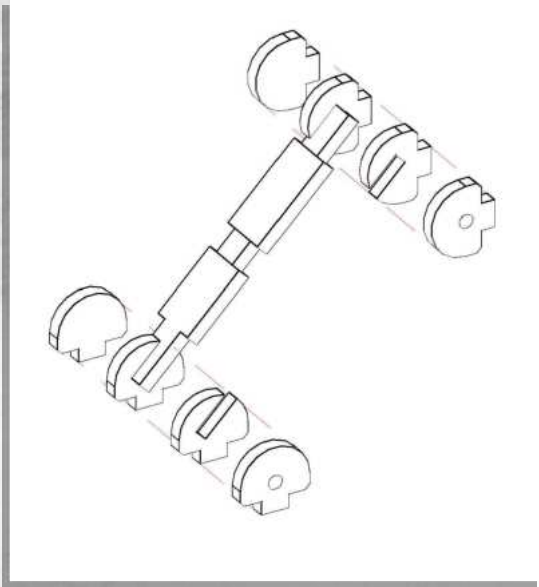




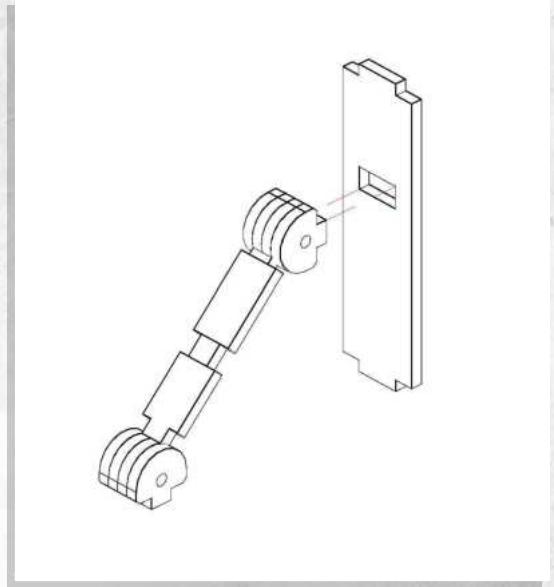
WARCRADLETM
S C E N I C S

Outpost Attica - Satellite - Assembly Guide

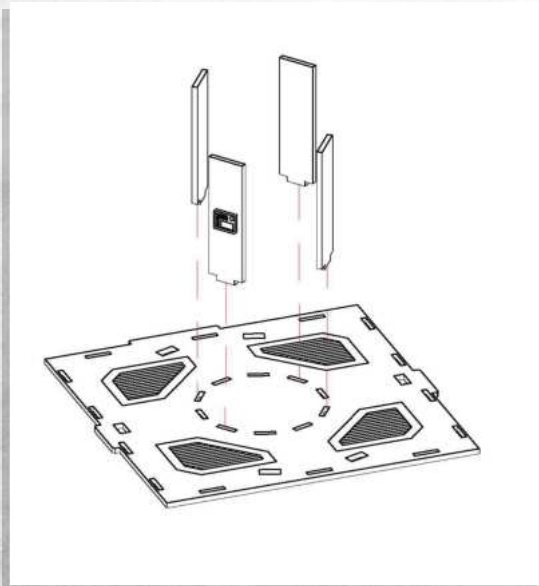
Parts may need careful removal from the MDF boards with a scalpel, and light sanding of any rough edges. We recommend testing assembling sections before permanently gluing together.



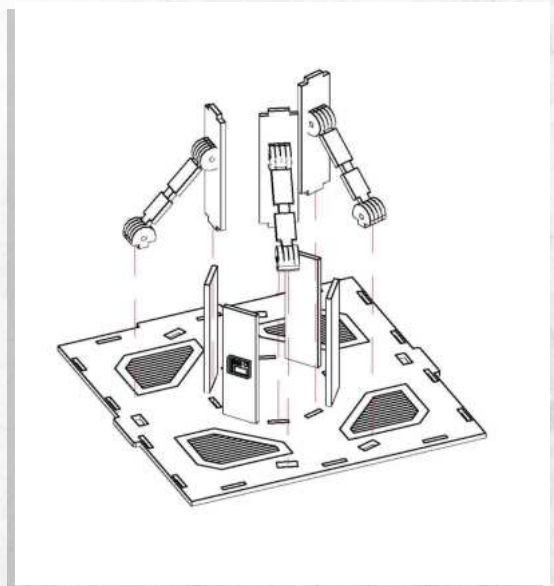
NOTE: Repeat for all six pieces



NOTE: Repeat for all six pieces



NOTE: Plain panels must be glued in this arrangement



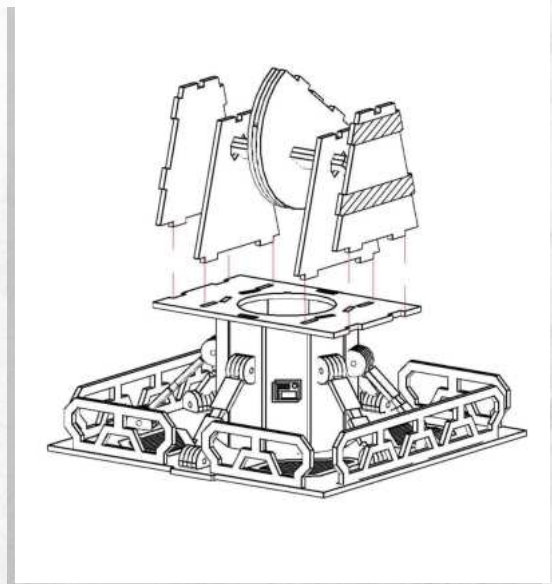
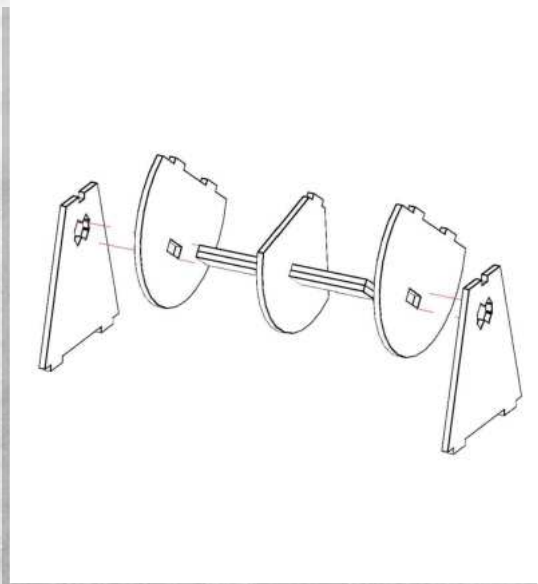
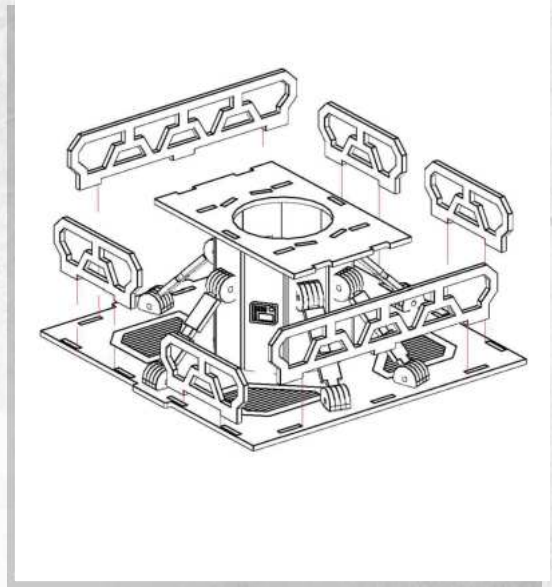
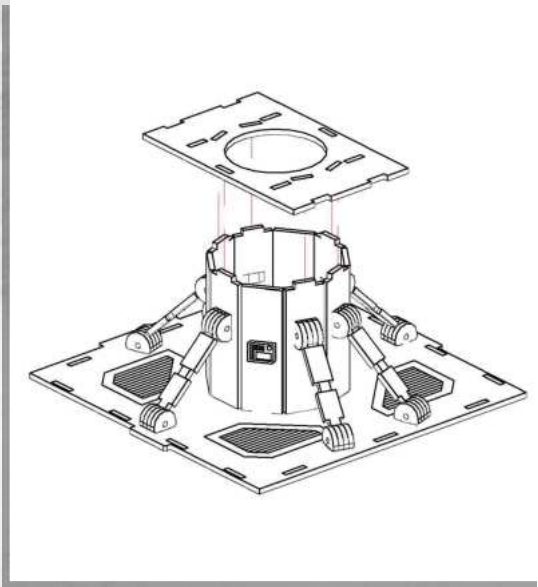
NOTE: The other six panel fit between them



WARCRADLETM
SCENICS

Outpost Attica - Satellite - Assembly Guide

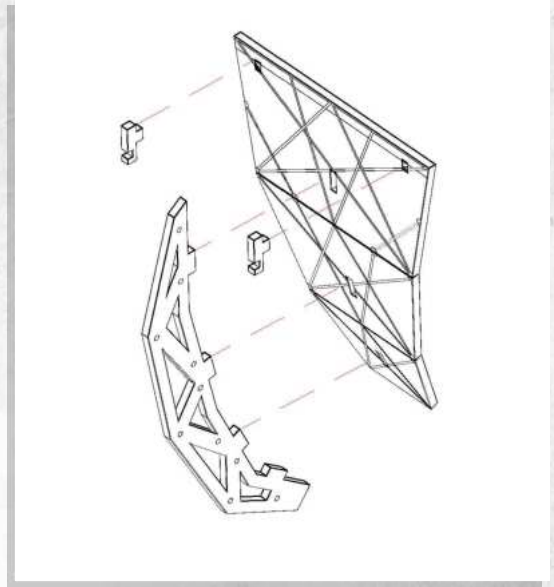
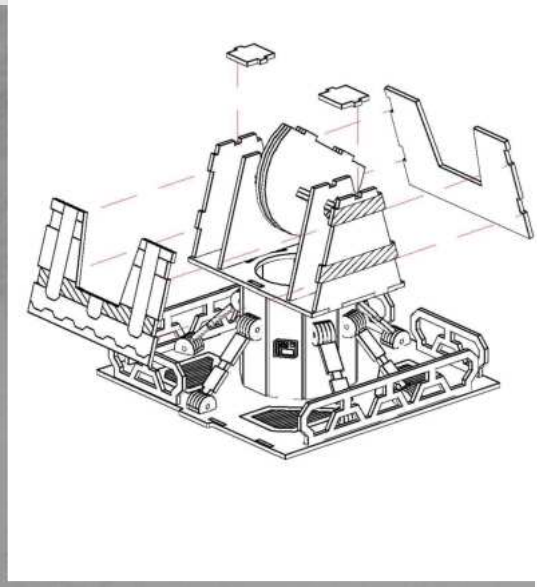
Parts may need careful removal from the MDF boards with a scalpel, and light sanding of any rough edges. We recommend testing assembling sections before permanently gluing together.



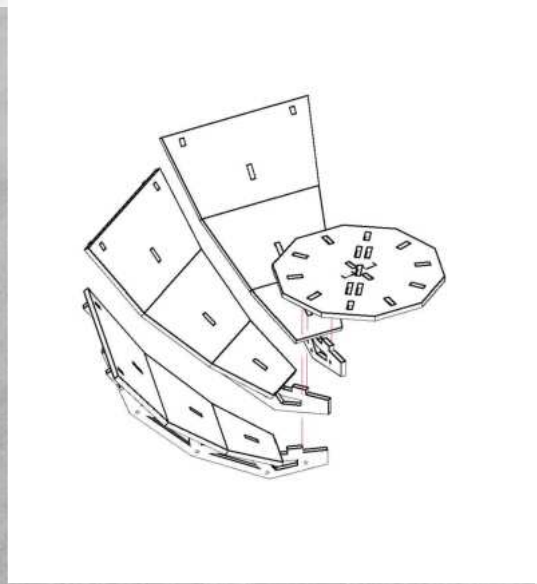


Outpost Attica - Satellite - Assembly Guide

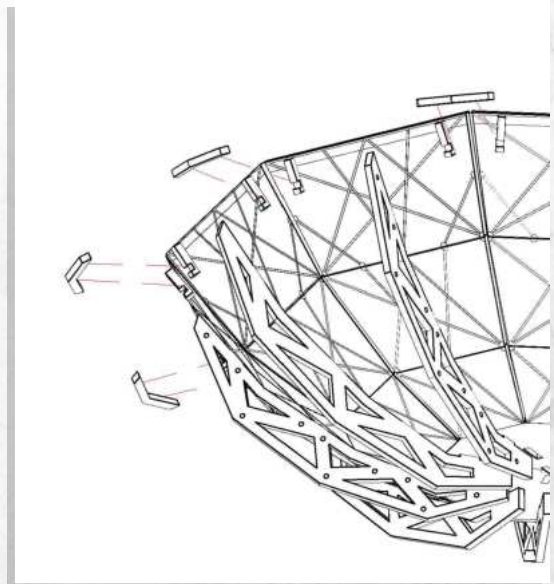
Parts may need careful removal from the MDF boards with a scalpel, and light sanding of any rough edges. We recommend testing assembling sections before permanently gluing together.



NOTE: Repeat for all ten pieces



NOTE: Repeat for all ten pieces



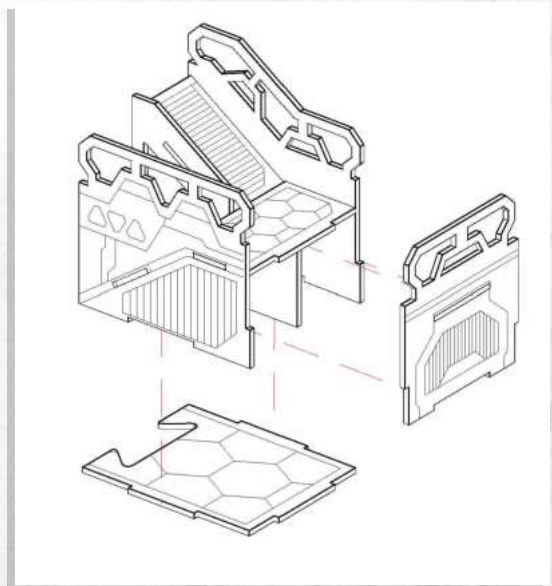
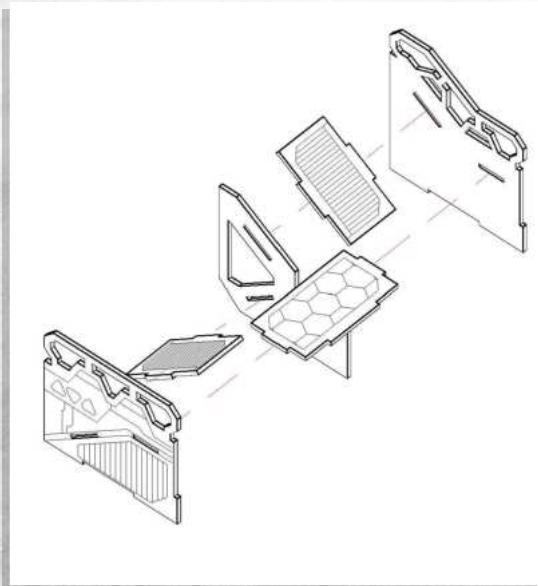
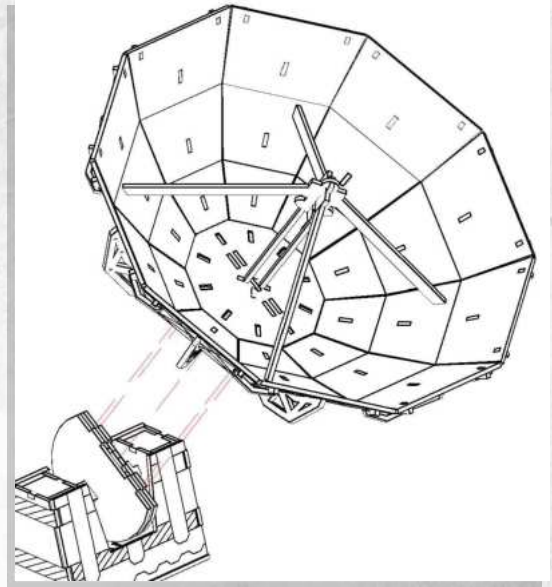
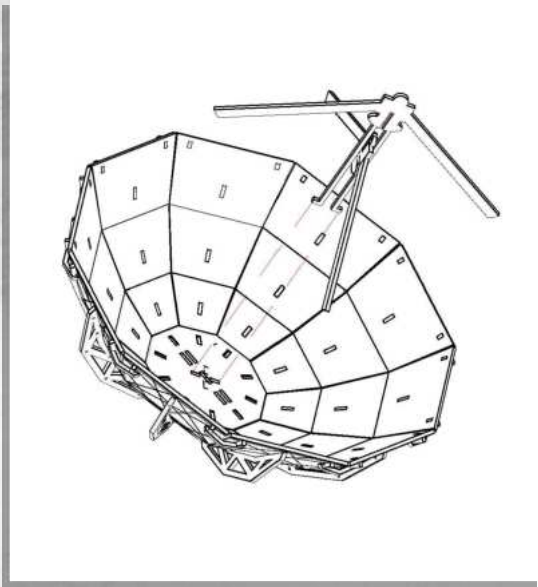
NOTE: Repeat for all ten pieces



WARCRADLETM
SCENICS

Outpost Attica - Satellite - Assembly Guide

Parts may need careful removal from the MDF boards with a scalpel, and light sanding of any rough edges. We recommend testing assembling sections before permanently gluing together.

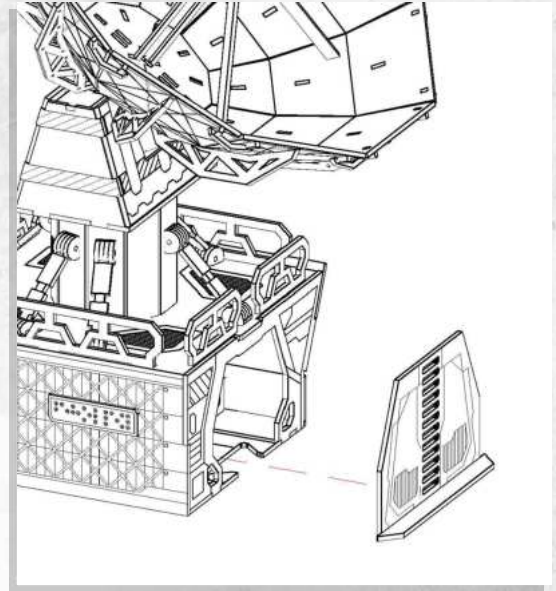
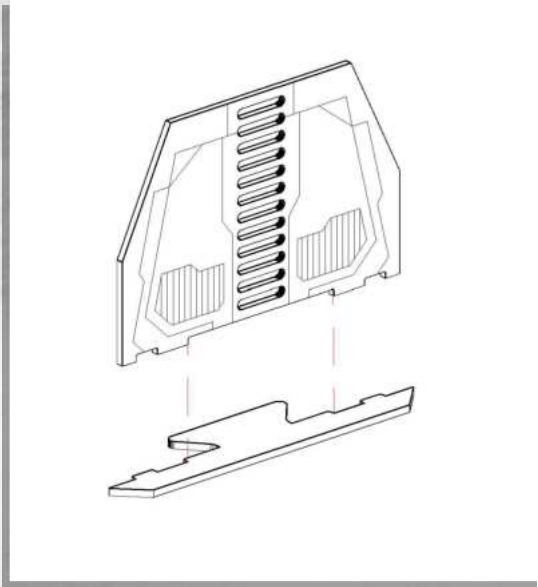




WARCRADLETM
SCENICS

Outpost Attica - Satellite - Assembly Guide

Parts may need careful removal from the MDF boards with a scalpel, and light sanding of any rough edges. We recommend testing assembling sections before permanently gluing together.



NOTE: Door can be attached to either doorway



NOTE: Ramp can be attached to either side