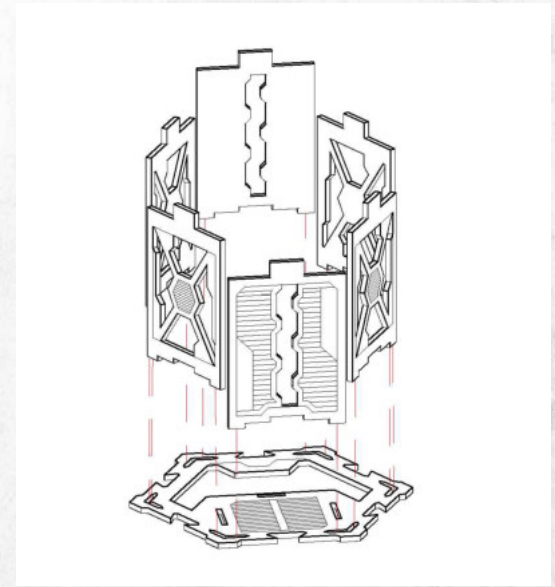
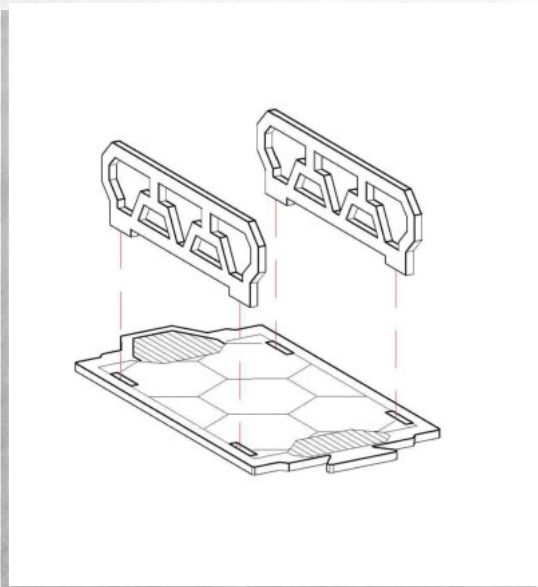
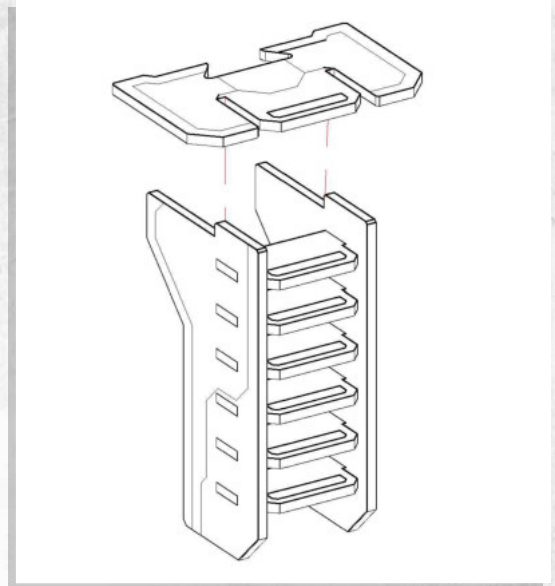
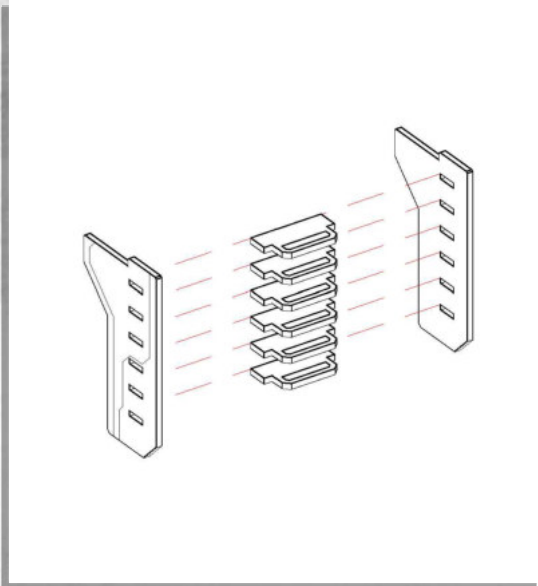




WARCRADLE<sup>TM</sup>  
SCENICS

## Out Post Attica - Platforms - Assembly Guide

Parts may need careful removal from the MDF boards with a scalpel, and light sanding of any rough edges. We recommend testing assembling sections before permanently gluing together.



WARCRADLE<sup>TM</sup>  
STUDIOS

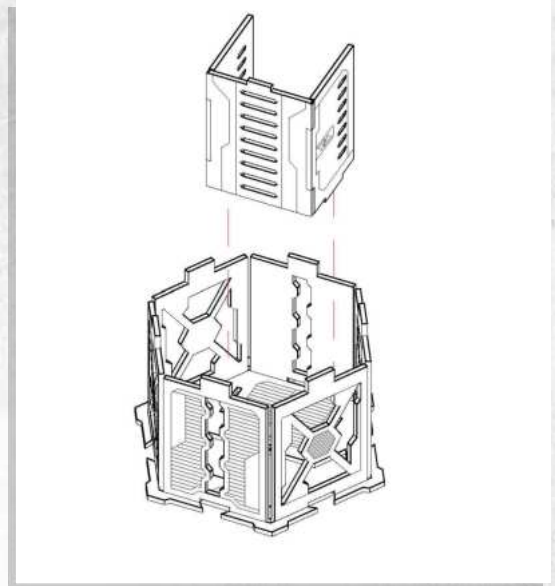
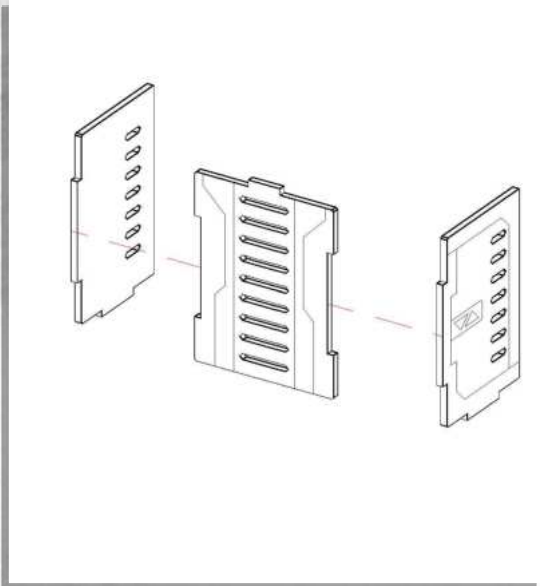
WARCRADLE STUDIOS IS A TRADING NAME OF WAYLAND GAMES LIMITED.

ILLUSTRATIONS AND DESIGNS ARE COPYRIGHT © 2019 WAYLAND GAMES LIMITED. ASSEMBLED IN THE UK.

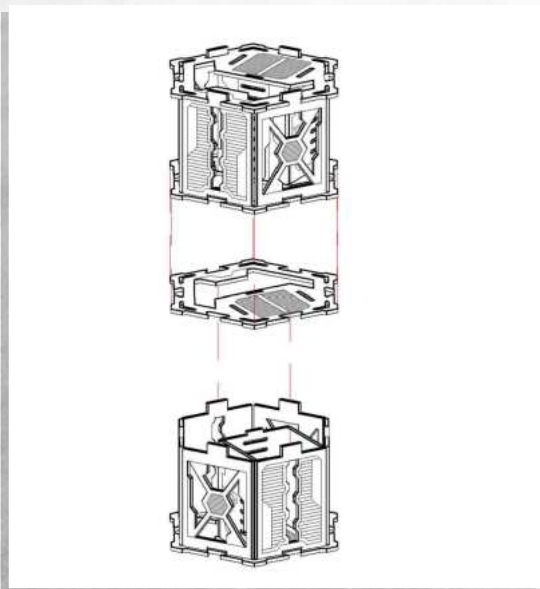


## Out Post Attica - Platforms - Assembly Guide

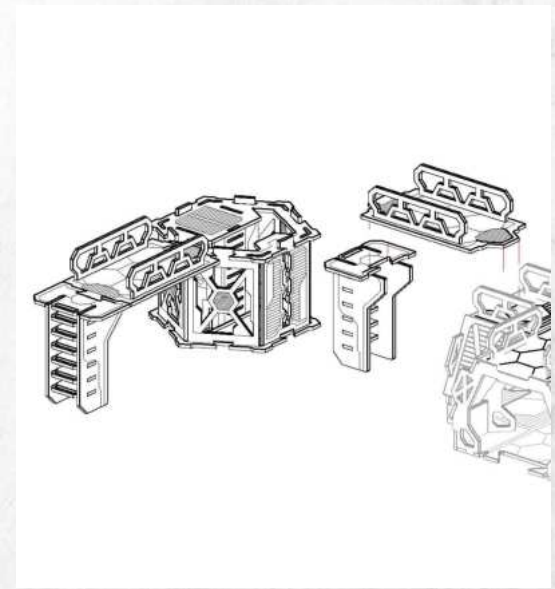
Parts may need careful removal from the MDF boards with a scalpel, and light sanding of any rough edges. We recommend testing assembling sections before permanently gluing together.



NOTE: Repeat the last three steps for the second platform



NOTE: Do not use glue when stacking these pieces



NOTE: Platforms can be added to other structures in any arrangement. Do not glue when joining them

