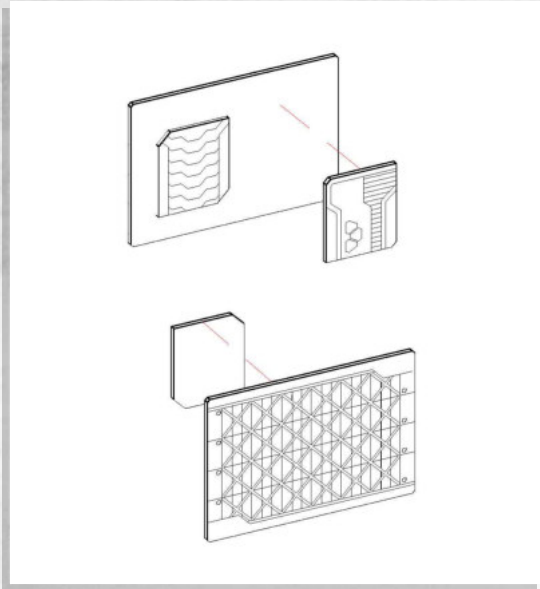


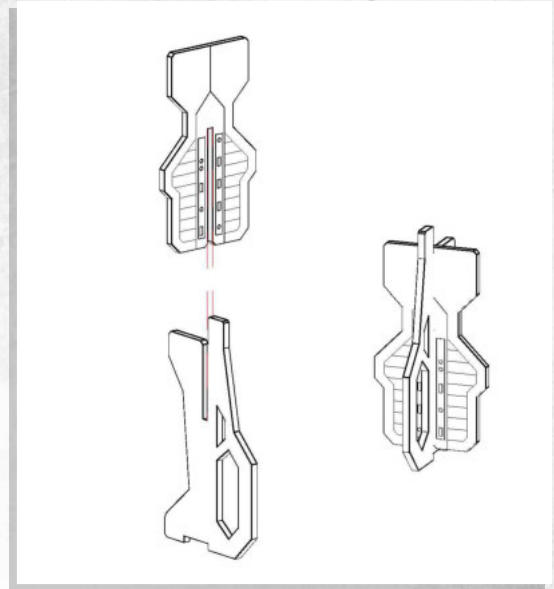


Out Post Attica - Hexagon - Assembly Guide

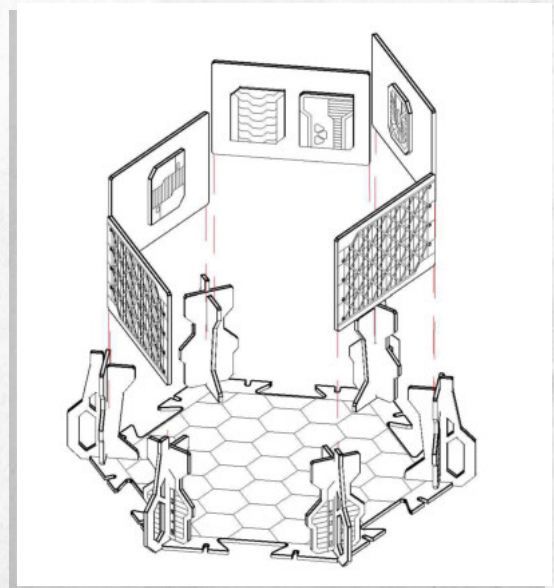
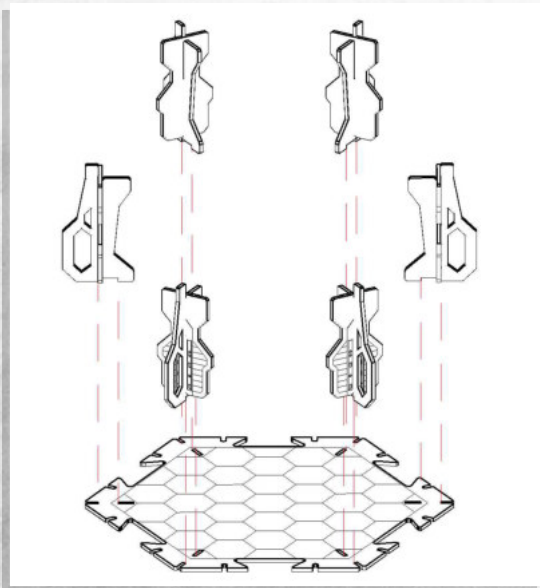
Parts may need careful removal from the MDF boards with a scalpel, and light sanding of any rough edges. We recommend testing assembling sections before permanently gluing together.



NOTE: Panels can be glued in any arrangement



NOTE: Repeat for all six pieces



NOTE: Walls can slot in place without the need for glue

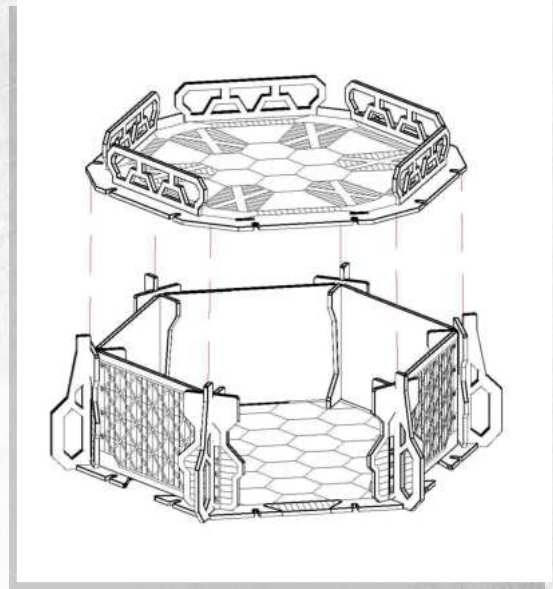
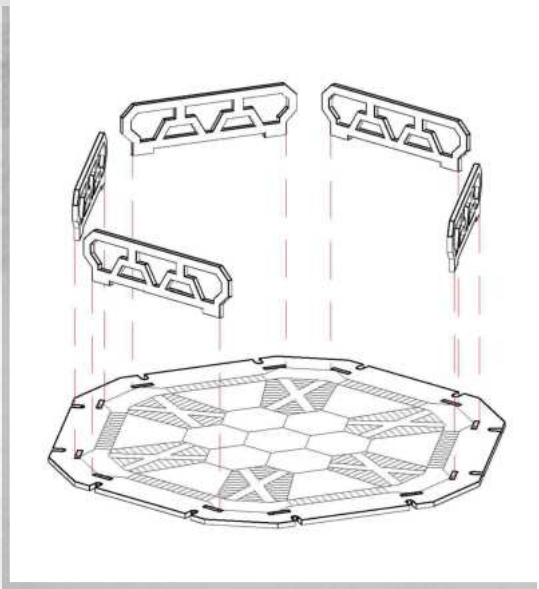




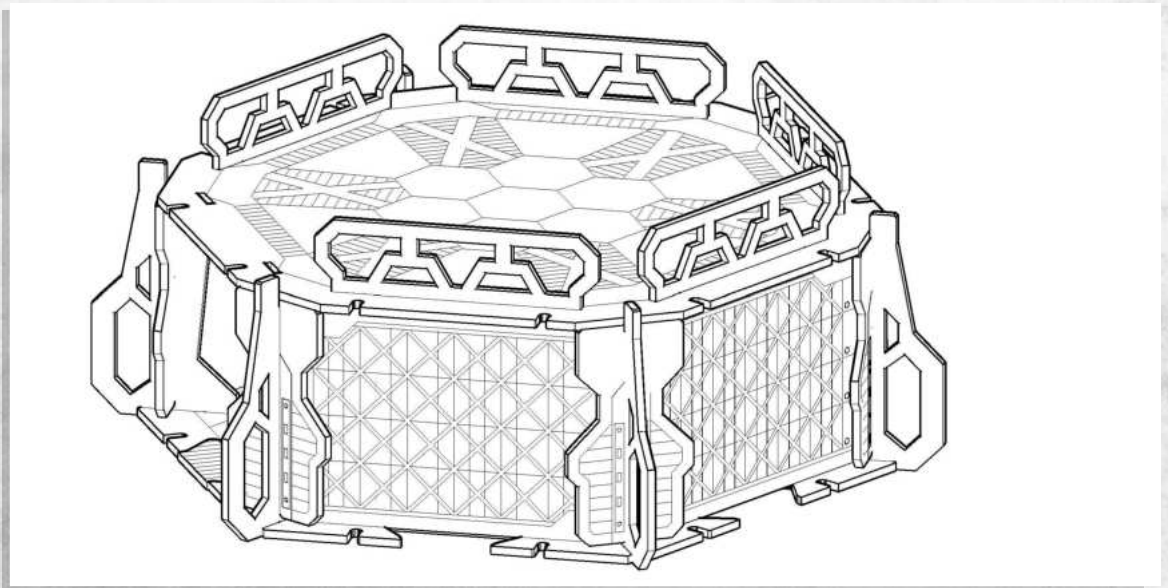
WARCRADLETM
S C E N I C S

Out Post Attica - Hexagon - Assembly Guide

Parts may need careful removal from the MDF boards with a scalpel, and light sanding of any rough edges. We recommend testing assembling sections before permanently gluing together.



NOTE: Do not use glue when stacking these pieces



WARCRADLETM
STUDIOS

WARCRADLE STUDIOS IS A TRADING NAME OF WAYLAND GAMES LIMITED.
ILLUSTRATIONS AND DESIGNS ARE COPYRIGHT © 2019 WAYLAND GAMES LIMITED. ASSEMBLED IN THE UK.