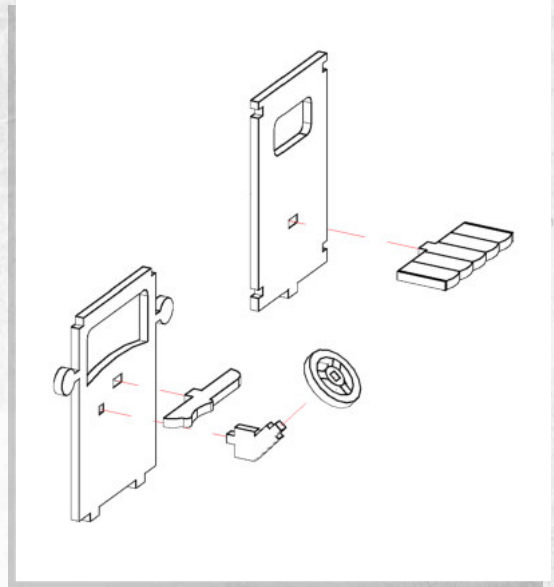
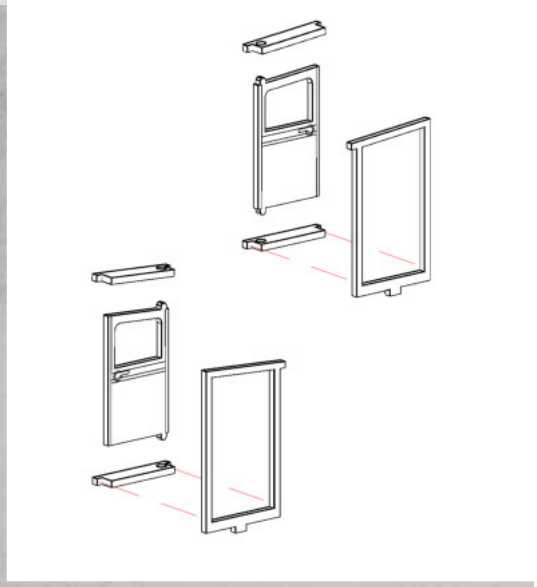


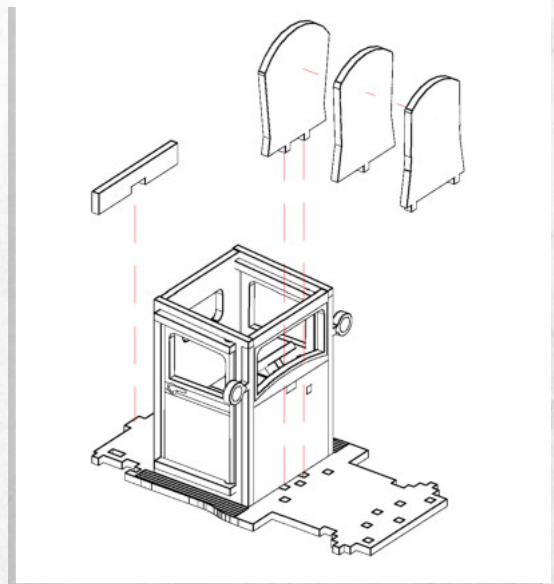
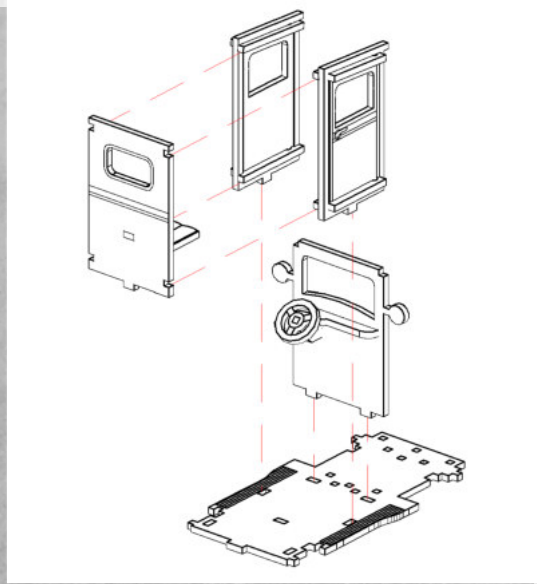


Dunsmouth - Traders' Gear - Assembly Guide

Warning: Pushing parts out by hand may cause damage. Parts can be removed from the MDF boards with a scalpel, and light sanding of any rough edges. We recommend testing assembling sections before permanently gluing together.



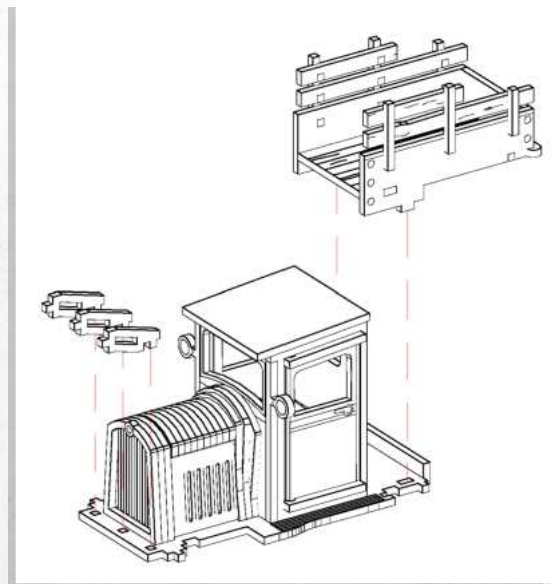
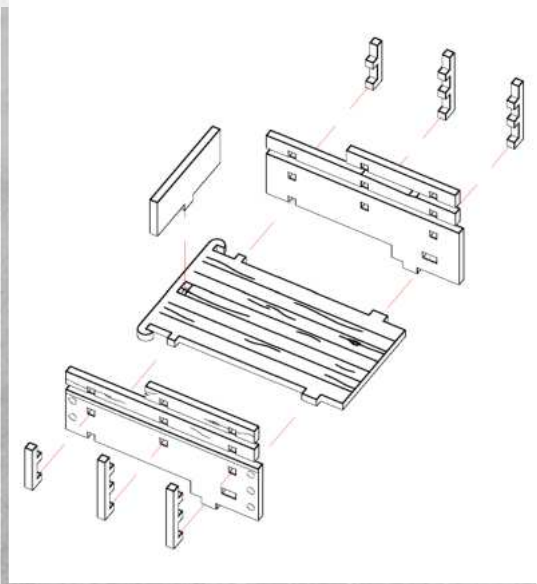
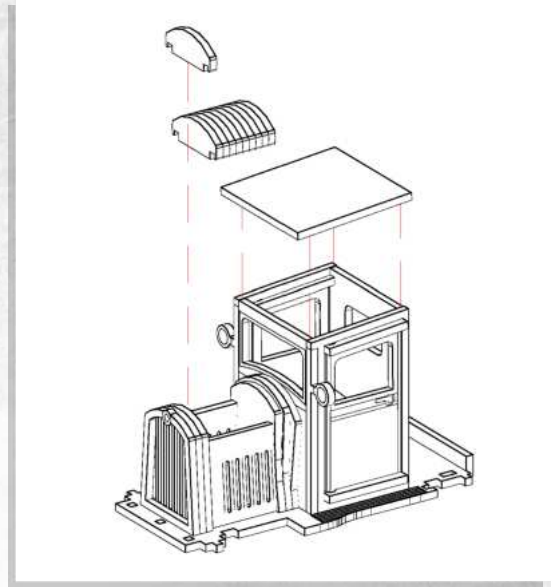
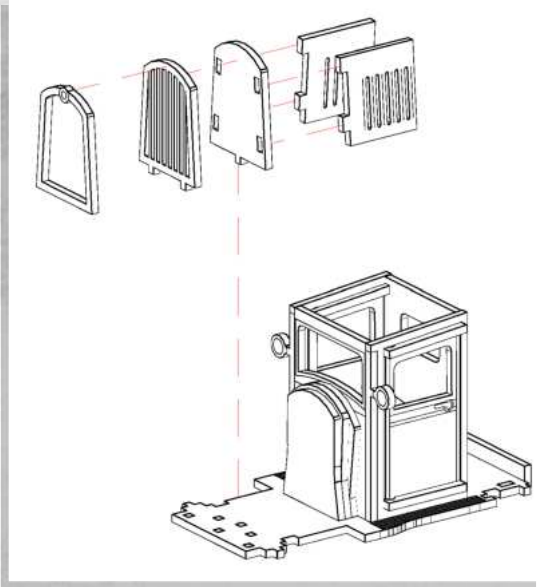
NOTE: Do not glue the door between the frames.





Dunsmouth - Traders' Gear - Assembly Guide

Warning: Pushing parts out by hand may cause damage. Parts can be removed from the MDF boards with a scalpel, and light sanding of any rough edges. We recommend testing assembling sections before permanently gluing together.

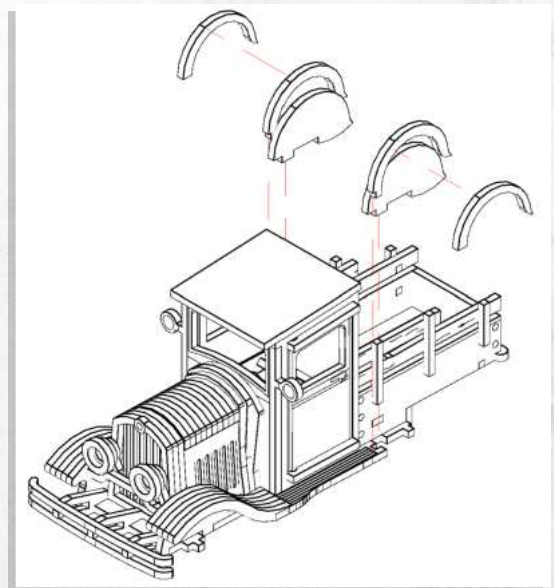
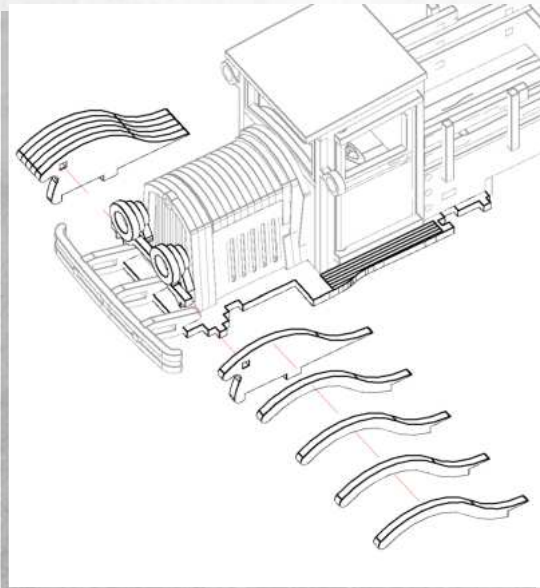
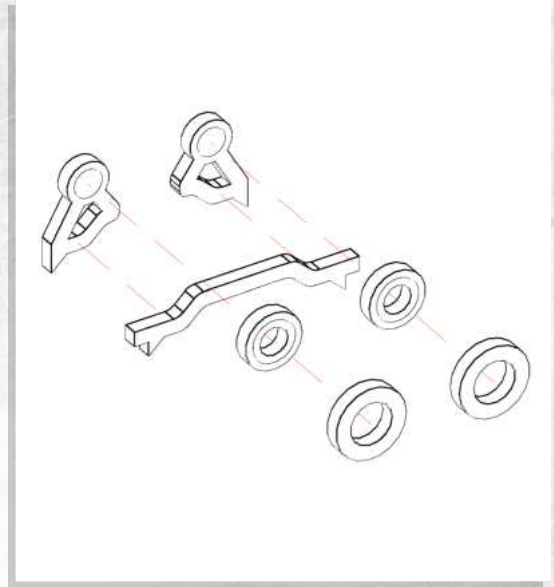
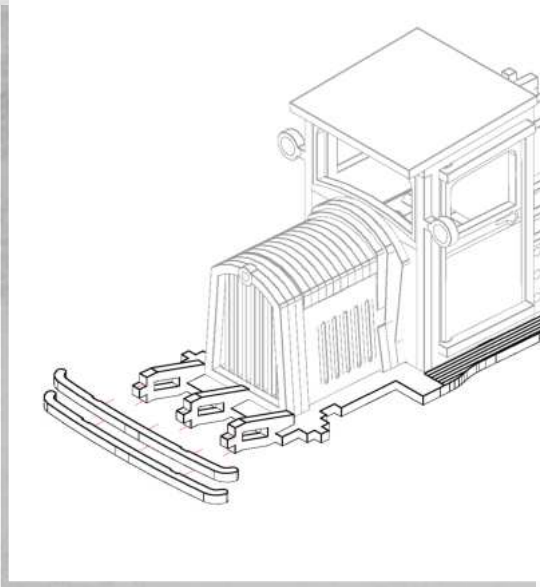




WARCRADLETM
SCENICS

Dunsmouth - Traders' Gear - Assembly Guide

Warning: Pushing parts out by hand may cause damage. Parts can be removed from the MDF boards with a scalpel, and light sanding of any rough edges. We recommend testing assembling sections before permanently gluing together.



WARCRADLETM
STUDIOS

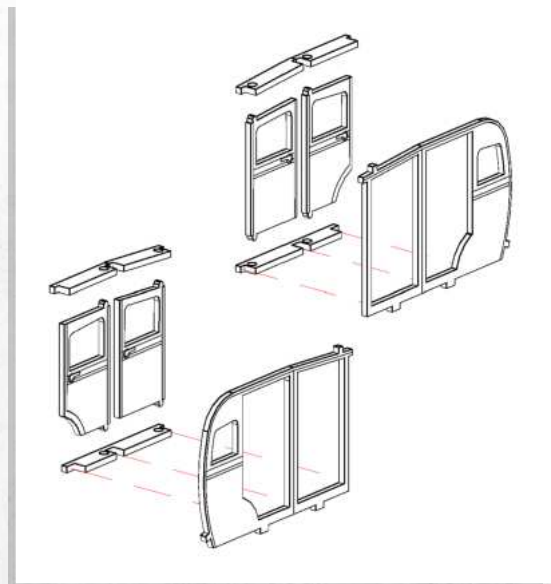
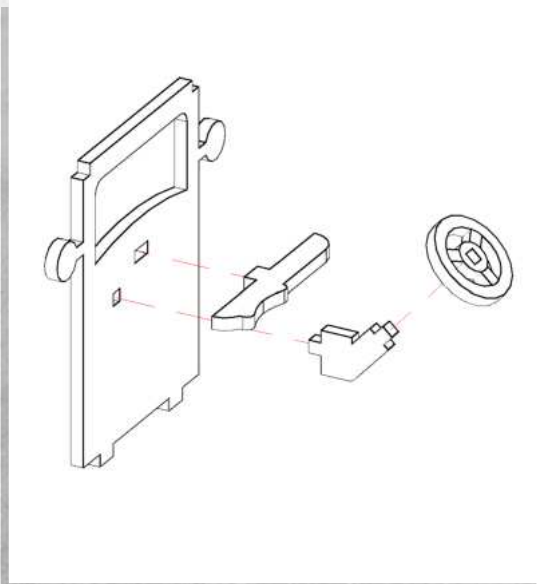
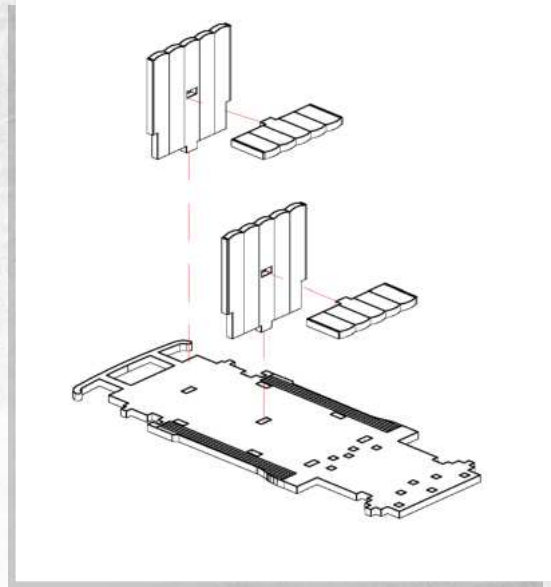
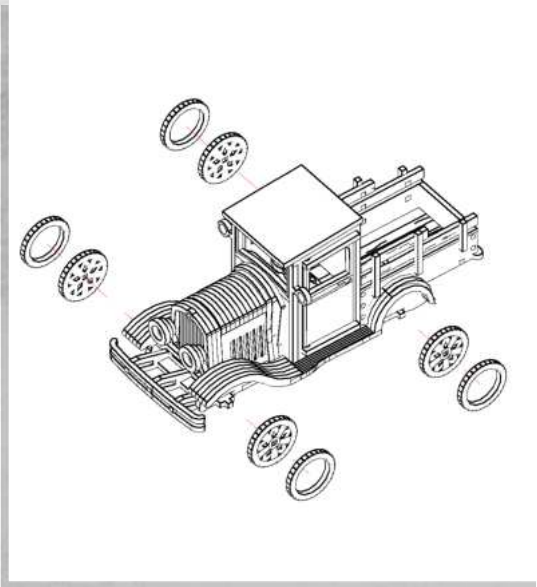
WARCRADLE STUDIOS IS A TRADING NAME OF WAYLAND GAMES LIMITED.

ILLUSTRATIONS AND DESIGNS ARE COPYRIGHT © 2020 WAYLAND GAMES LIMITED. ASSEMBLED IN THE UK.



Dunsmouth - Traders' Gear - Assembly Guide

Warning: Pushing parts out by hand may cause damage. Parts can be removed from the MDF boards with a scalpel, and light sanding of any rough edges. We recommend testing assembling sections before permanently gluing together.



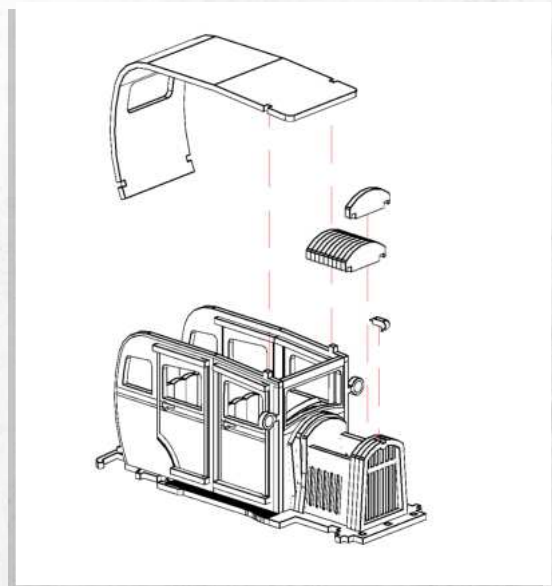
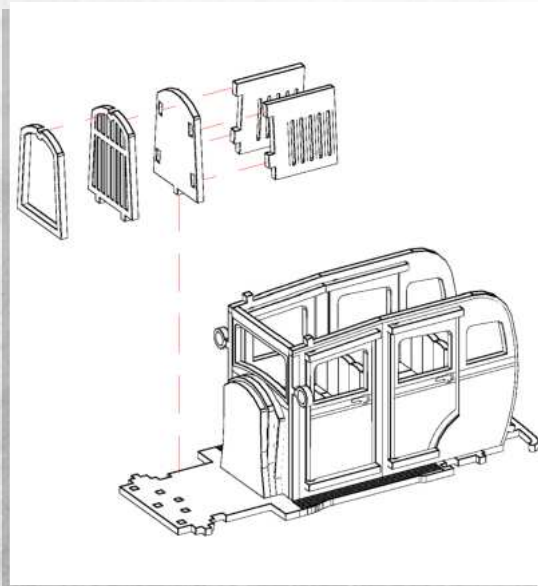
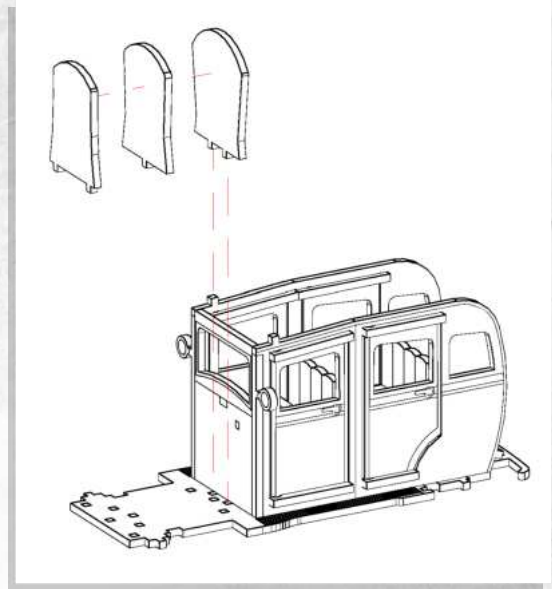
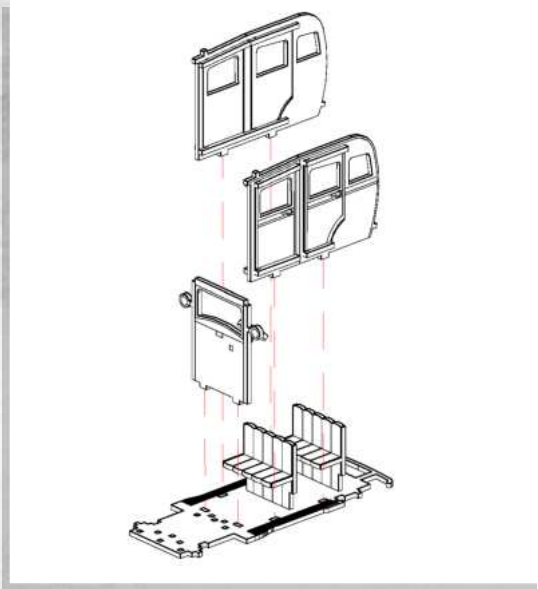
NOTE: Do not glue the door between the frames.



WARCRADLETM
SCENICS

Dunsmouth - Traders' Gear - Assembly Guide

Warning: Pushing parts out by hand may cause damage. Parts can be removed from the MDF boards with a scalpel, and light sanding of any rough edges. We recommend testing assembling sections before permanently gluing together.



NOTE: Bend the roof.



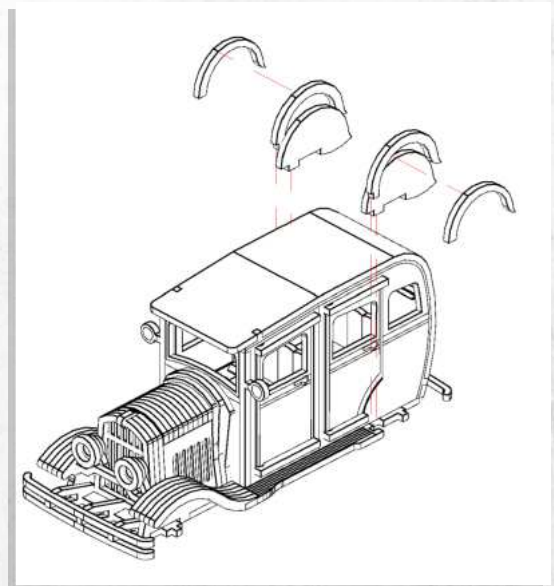
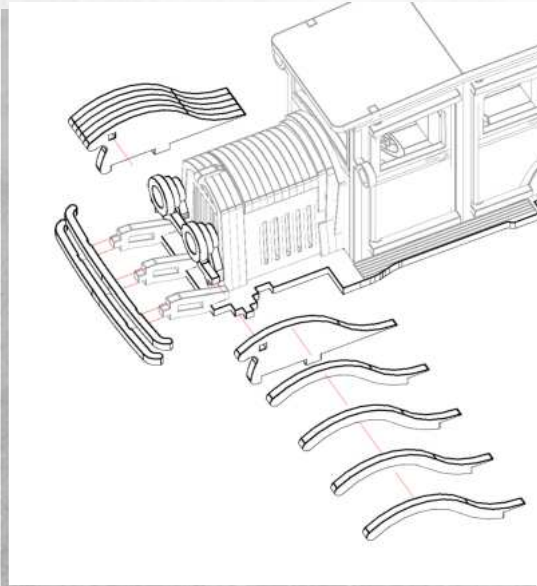
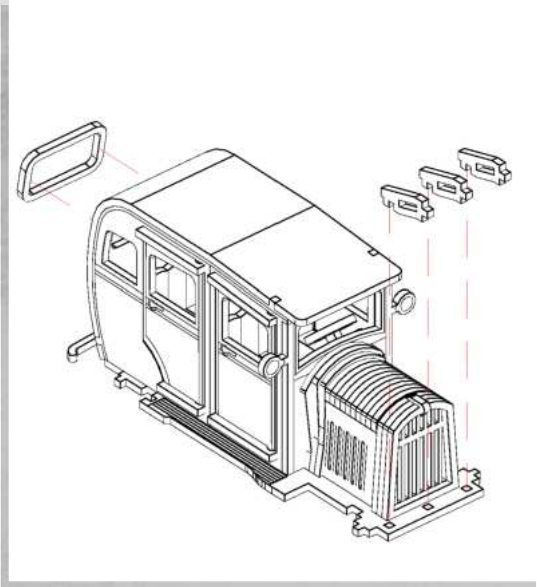
WARCRADLETM
STUDIOS

WARCRADLE STUDIOS IS A TRADING NAME OF WAYLAND GAMES LIMITED.
ILLUSTRATIONS AND DESIGNS ARE COPYRIGHT © 2020 WAYLAND GAMES LIMITED. ASSEMBLED IN THE UK.



Dunsmouth - Traders' Gear - Assembly Guide

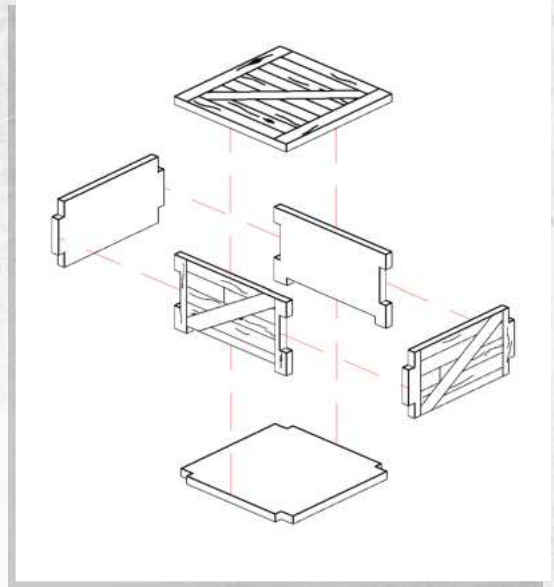
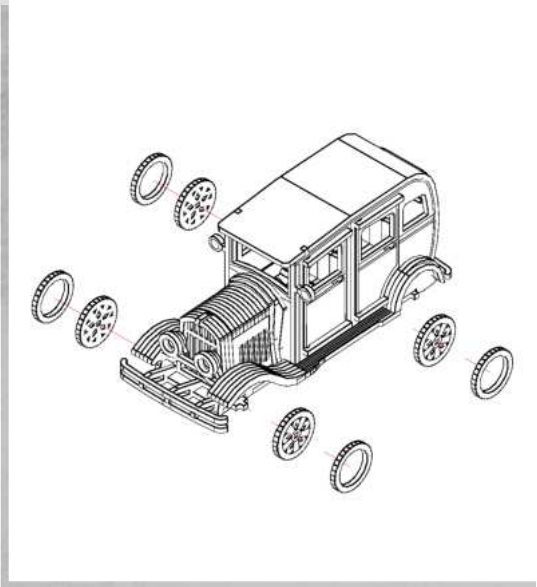
Warning: Pushing parts out by hand may cause damage. Parts can be removed from the MDF boards with a scalpel, and light sanding of any rough edges. We recommend testing assembling sections before permanently gluing together.



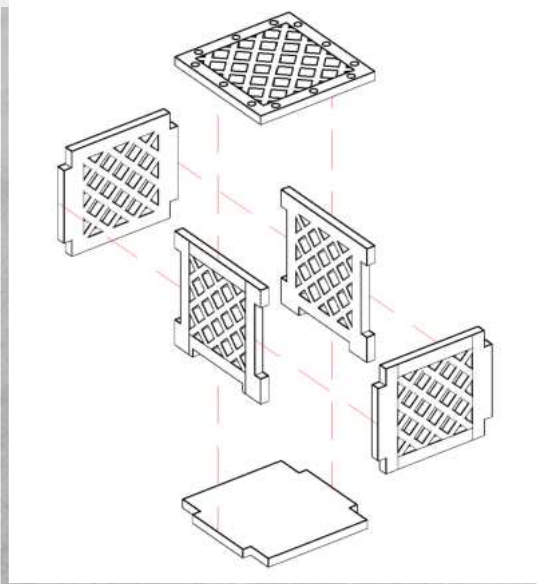


Dunsmouth - Traders' Gear - Assembly Guide

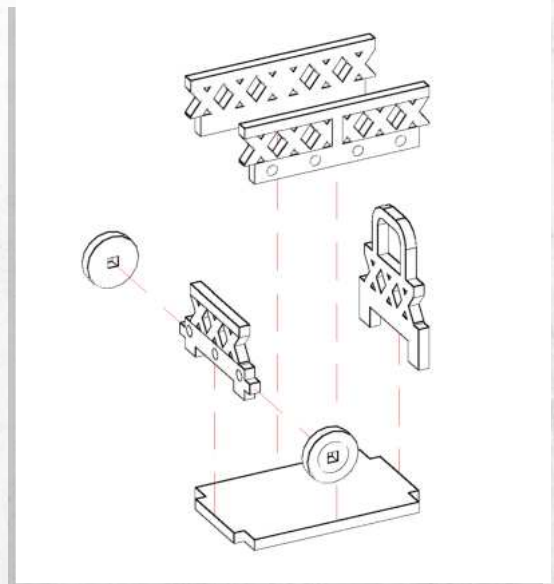
Warning: Pushing parts out by hand may cause damage. Parts can be removed from the MDF boards with a scalpel, and light sanding of any rough edges. We recommend testing assembling sections before permanently gluing together.



NOTE: Repeat for all crates



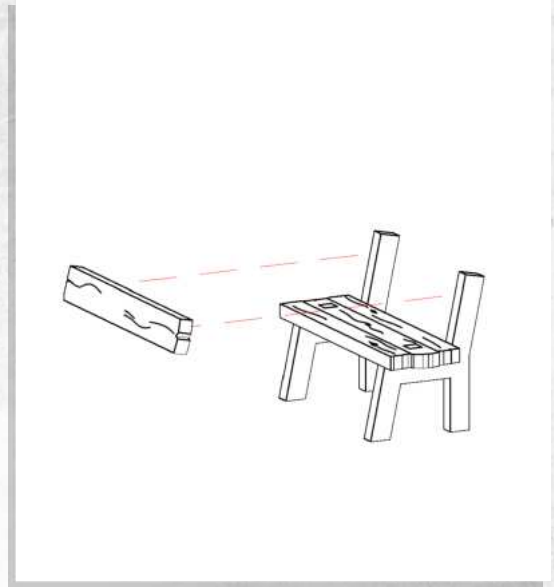
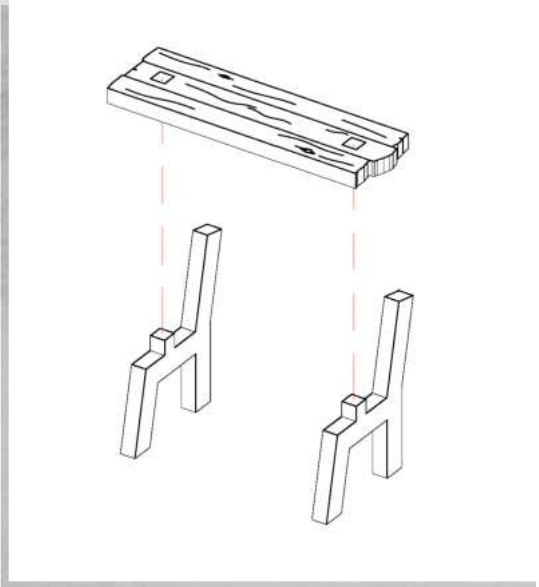
NOTE: Repeat for all crates



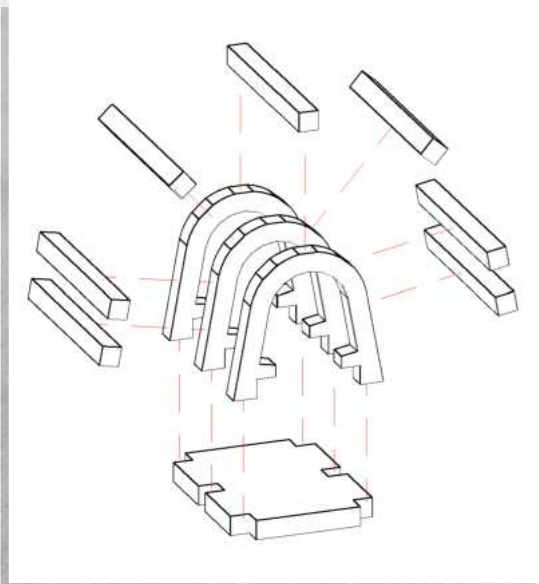


Dunsmouth - Traders' Gear - Assembly Guide

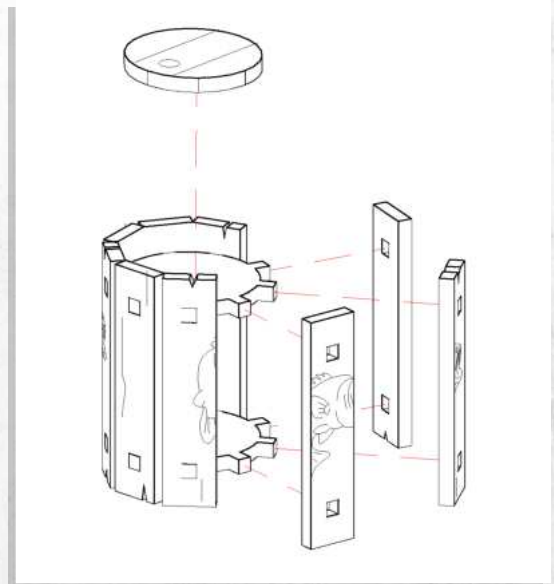
Warning: Pushing parts out by hand may cause damage. Parts can be removed from the MDF boards with a scalpel, and light sanding of any rough edges. We recommend testing assembling sections before permanently gluing together.



NOTE: Repeat for both benches



NOTE: Repeat for all cages.



NOTE: Repeat for all barrels