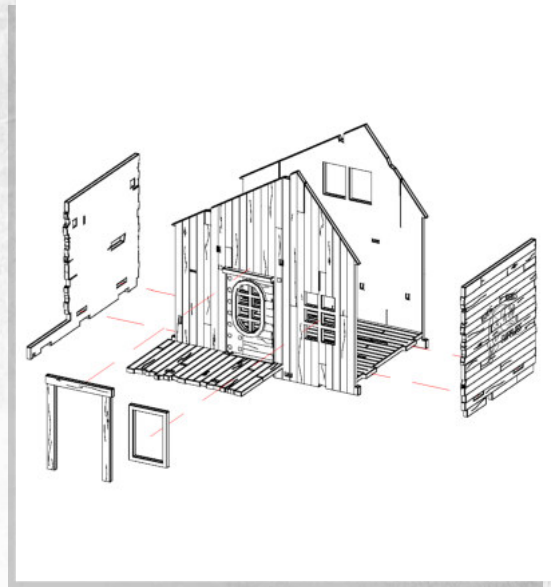
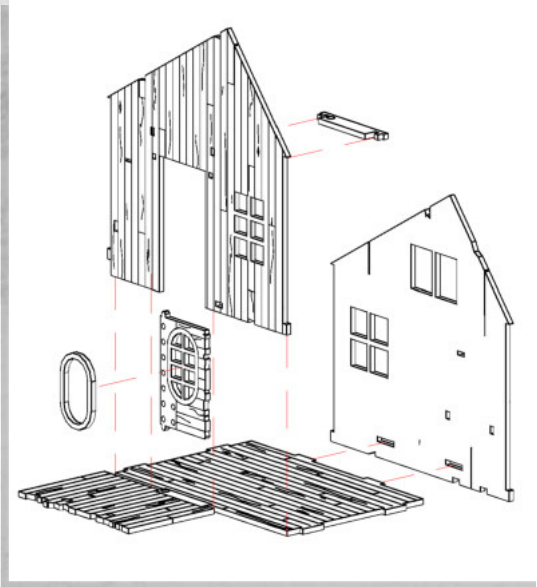


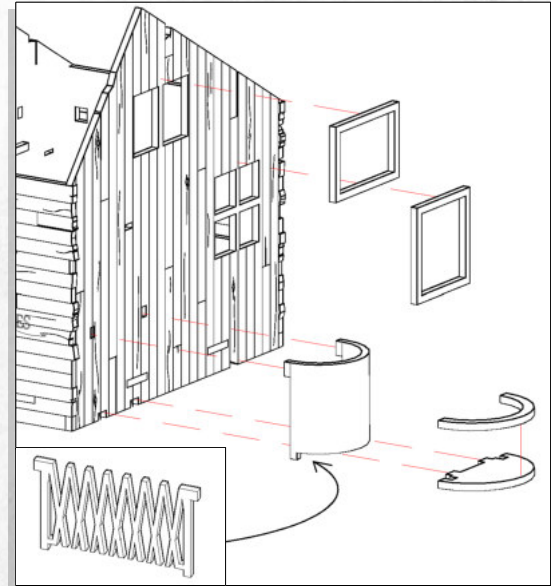
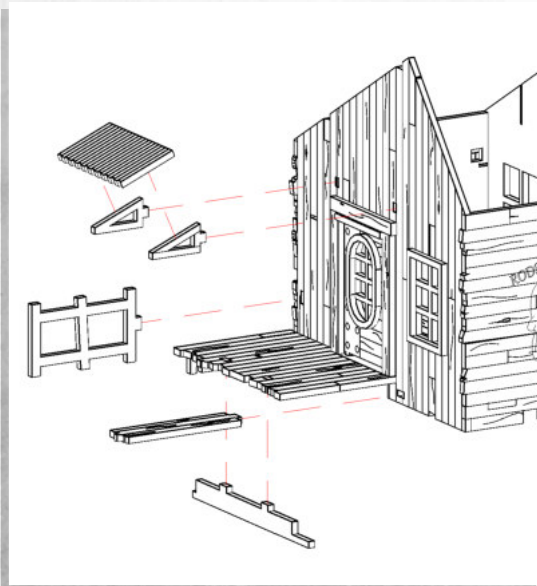


Dunsmouth - Tackle Shop - Assembly Guide

Warning: Pushing parts out by hand may cause damage. Parts can be removed from the MDF boards with a scalpel, and light sanding of any rough edges. We recommend testing assembling sections before permanently gluing together.



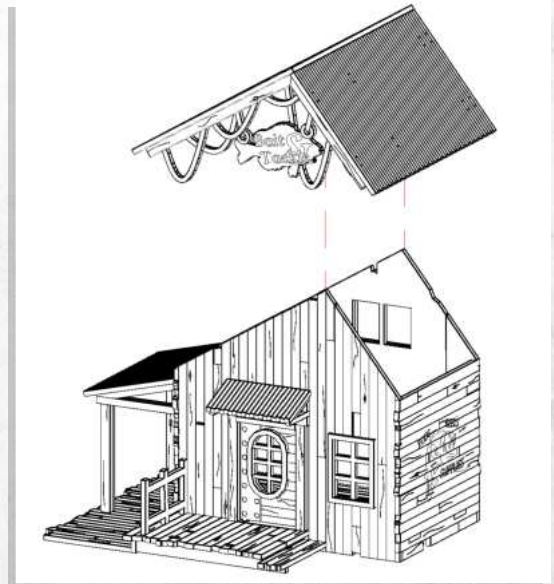
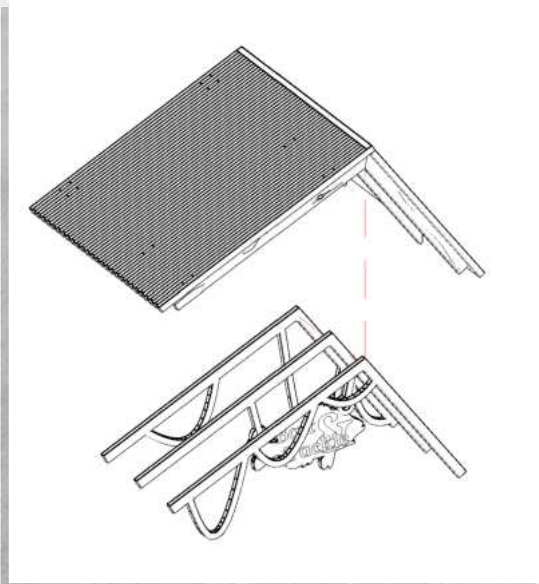
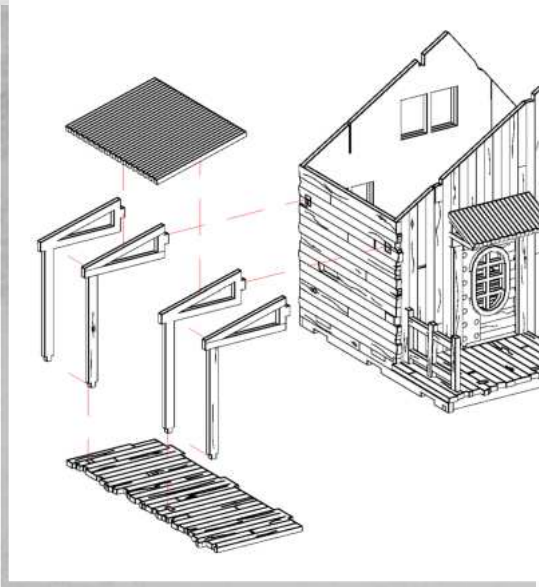
NOTE: Do not use glue when inserting the door into the frame.





Dunsmouth - Tackle Shop - Assembly Guide

Warning: Pushing parts out by hand may cause damage. Parts can be removed from the MDF boards with a scalpel, and light sanding of any rough edges. We recommend testing assembling sections before permanently gluing together.



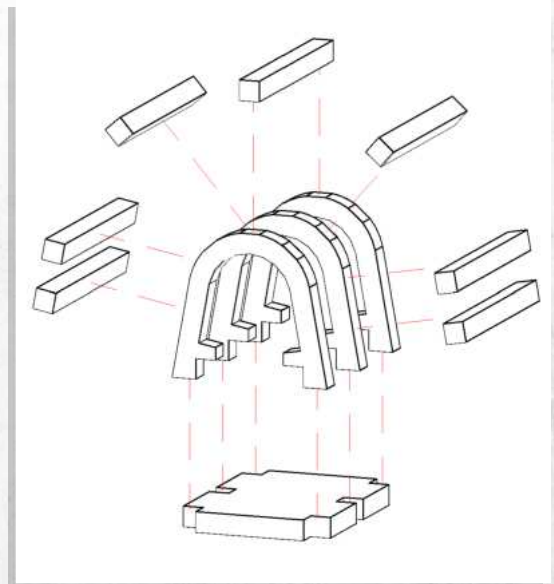
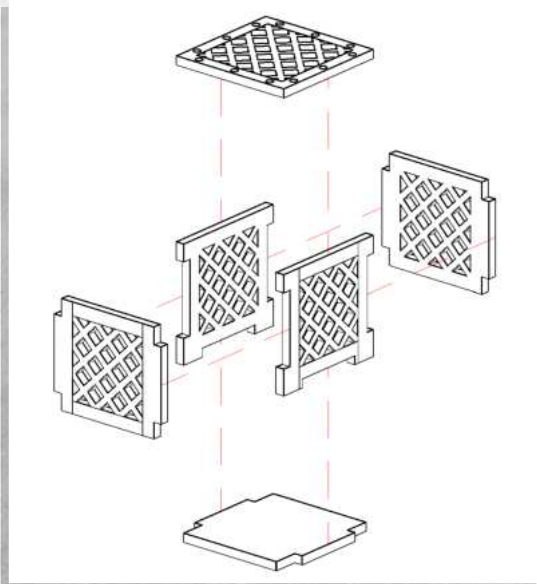
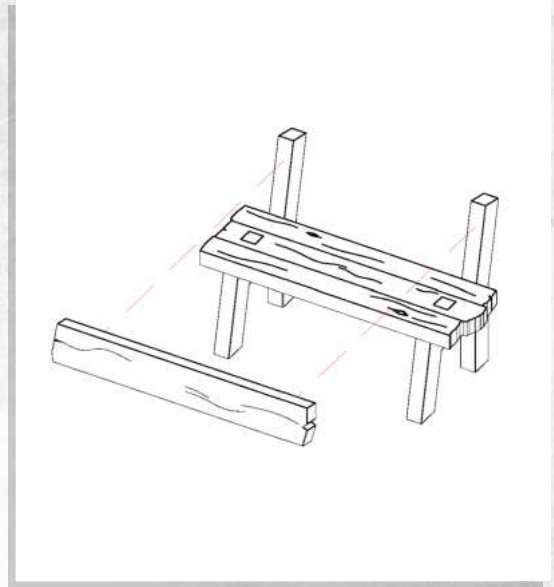
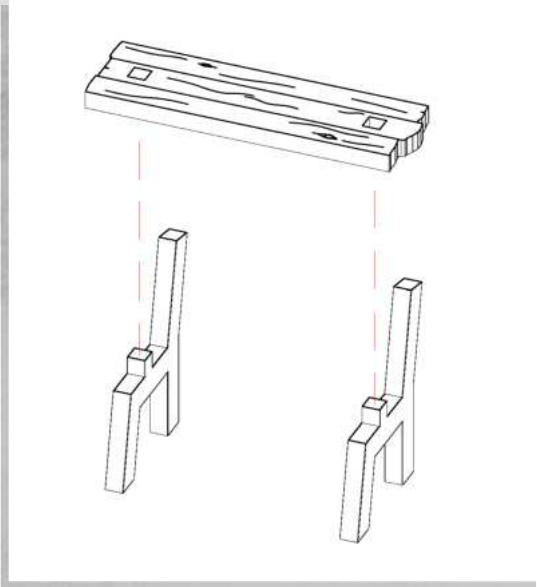
NOTE: Do not glue.





Dunsmouth - Tackle Shop - Assembly Guide

Warning: Pushing parts out by hand may cause damage. Parts can be removed from the MDF boards with a scalpel, and light sanding of any rough edges. We recommend testing assembling sections before permanently gluing together.



NOTE: Repeat for all cages.

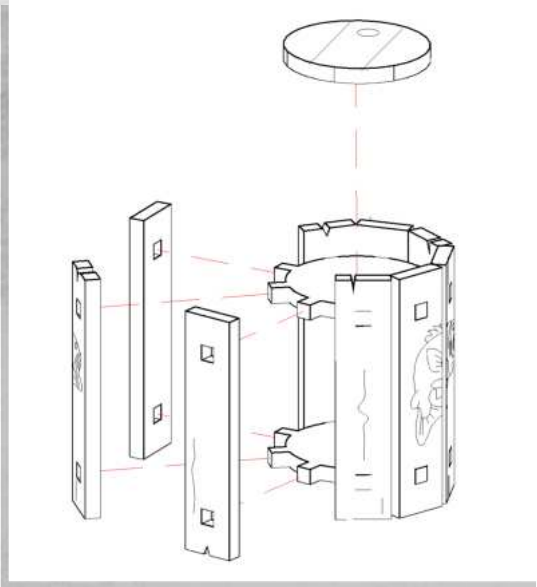




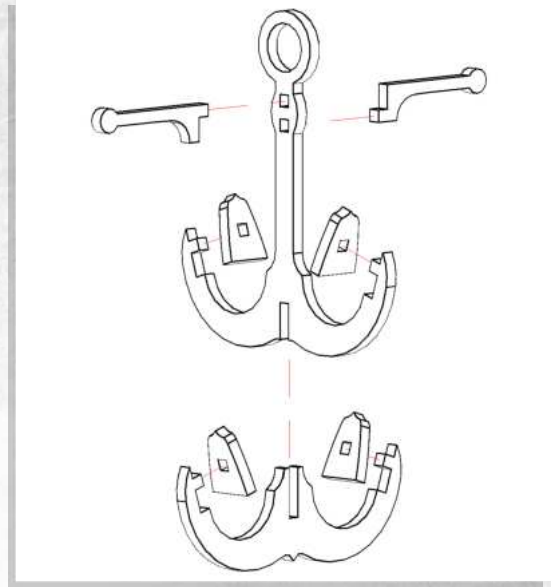
WARCRADLETM
SCENICS

Dunsmouth - Tackle Shop - Assembly Guide

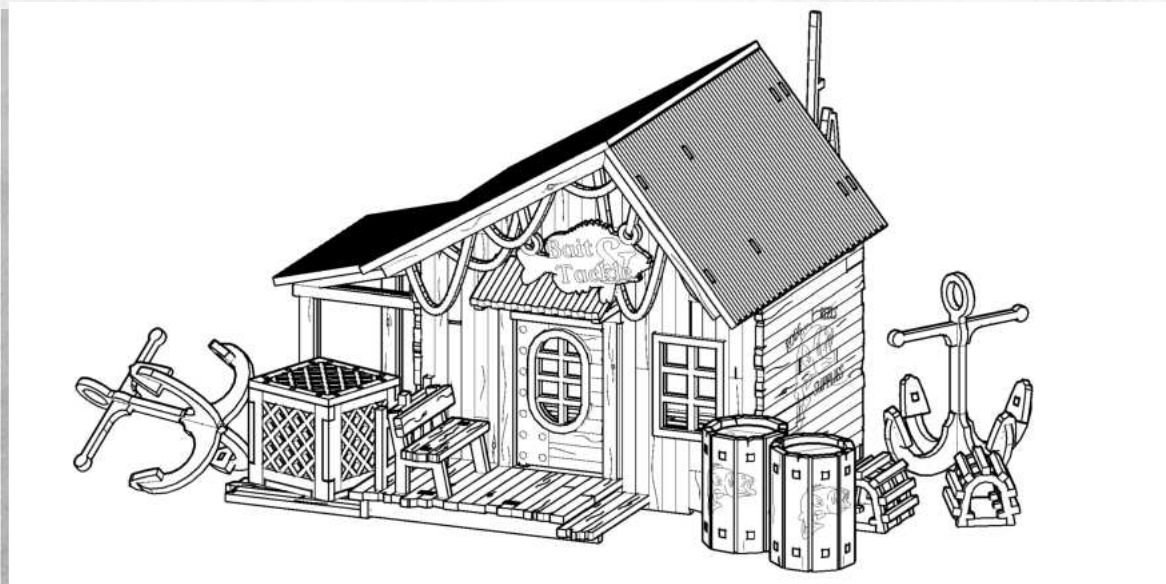
Warning: Pushing parts out by hand may cause damage. Parts can be removed from the MDF boards with a scalpel, and light sanding of any rough edges. We recommend testing assembling sections before permanently gluing together.



NOTE: Repeat for both barrels.



NOTE: Repeat for both anchors.



WARCRADLETM
STUDIOS

WARCRADLE STUDIOS IS A TRADING NAME OF WAYLAND GAMES LIMITED.

ILLUSTRATIONS AND DESIGNS ARE COPYRIGHT © 2020 WAYLAND GAMES LIMITED. ASSEMBLED IN THE UK.