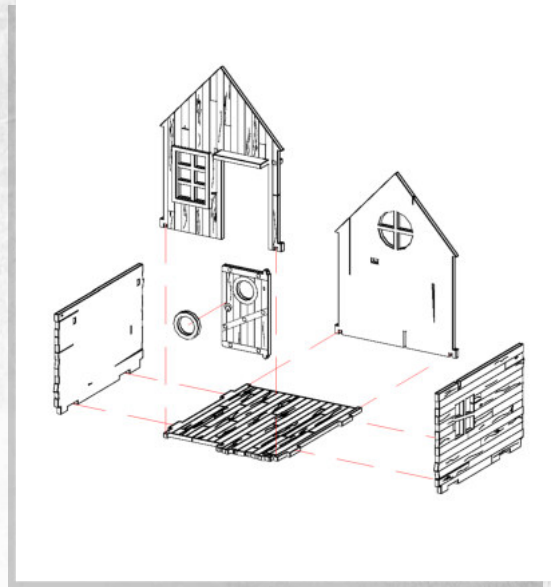
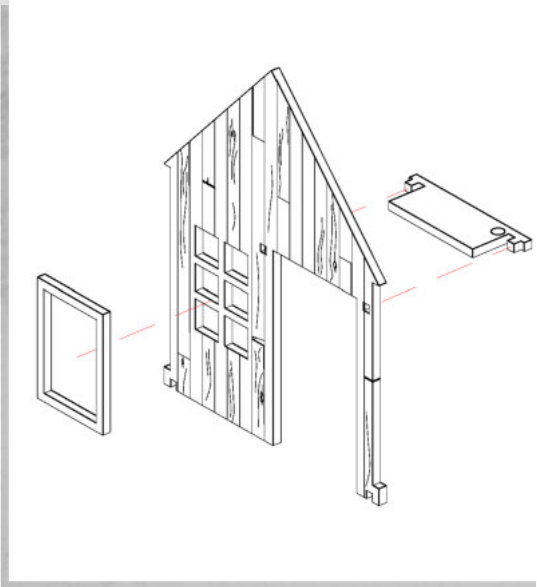




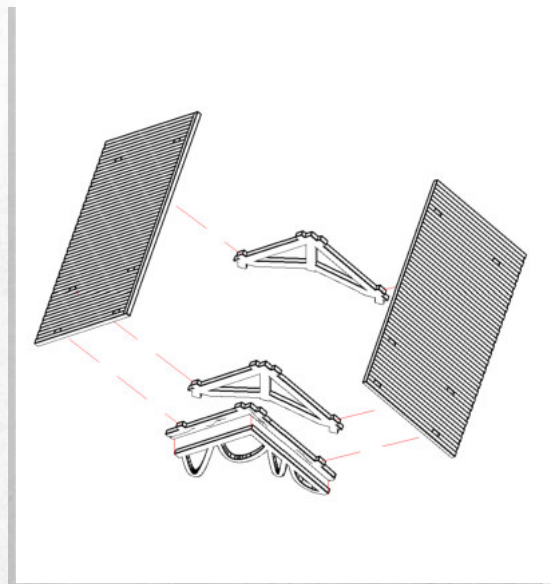
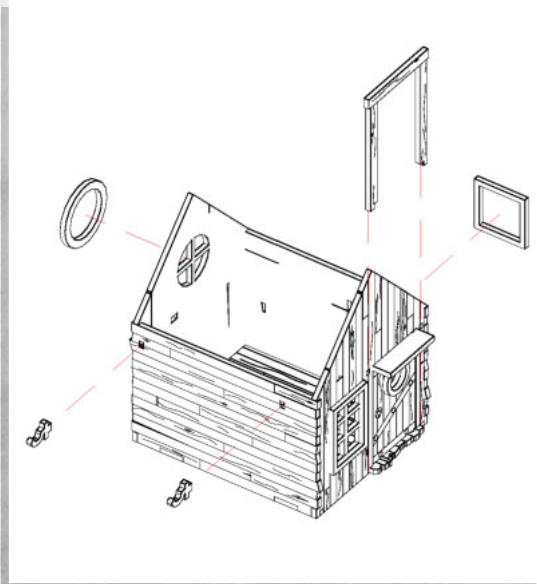
WARCRADLETM
SCENICS

Dunsmouth - Fisherman's Hut - Assembly Guide

Warning: Pushing parts out by hand may cause damage. Parts can be removed from the MDF boards with a scalpel, and light sanding of any rough edges. We recommend testing assembling sections before permanently gluing together.



NOTE: Do not use glue when inserting the door into the frame.



WARCRADLETM
STUDIOS

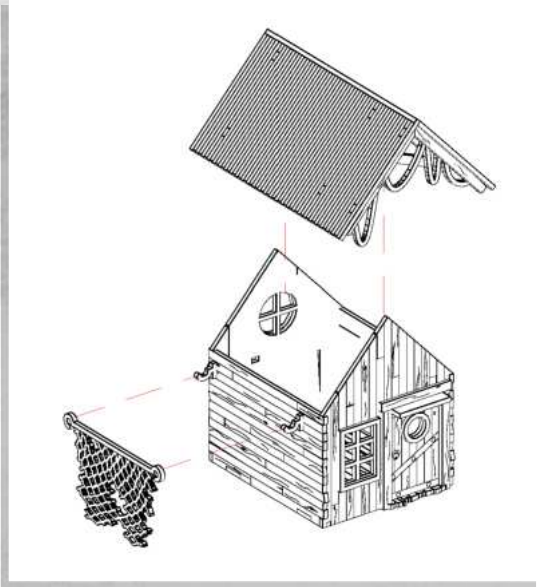
WARCRADLE STUDIOS IS A TRADING NAME OF WAYLAND GAMES LIMITED.

ILLUSTRATIONS AND DESIGNS ARE COPYRIGHT © 2020 WAYLAND GAMES LIMITED. ASSEMBLED IN THE UK.

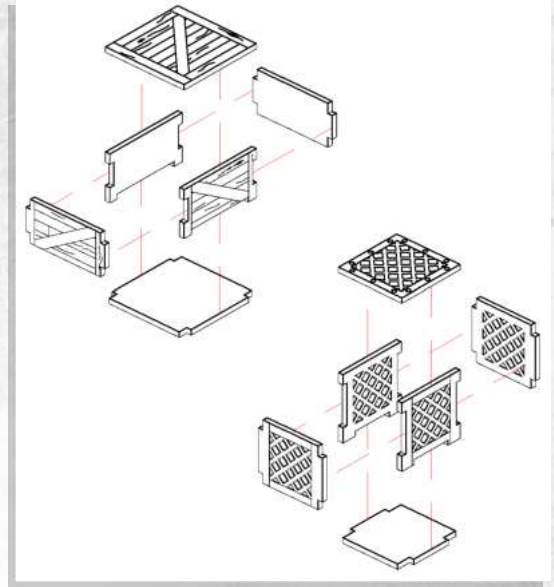


Dunsmouth - Fisherman's Hut - Assembly Guide

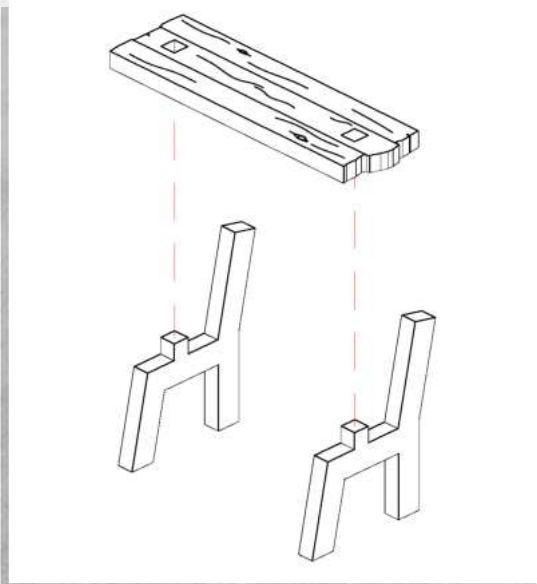
Warning: Pushing parts out by hand may cause damage. Parts can be removed from the MDF boards with a scalpel, and light sanding of any rough edges. We recommend testing assembling sections before permanently gluing together.



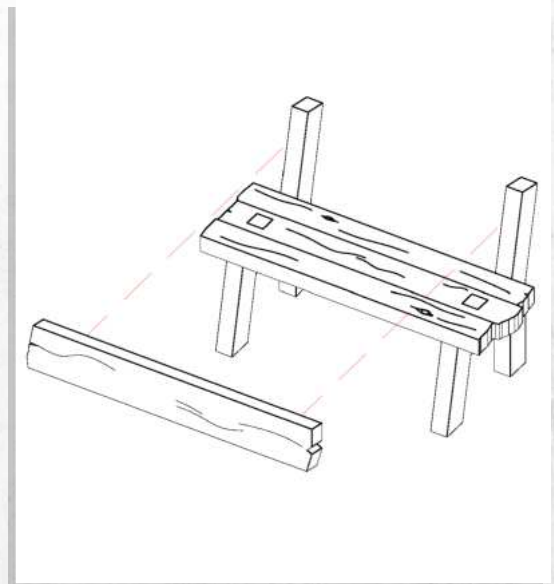
NOTE: Do not glue.



NOTE: Repeat for all crates.



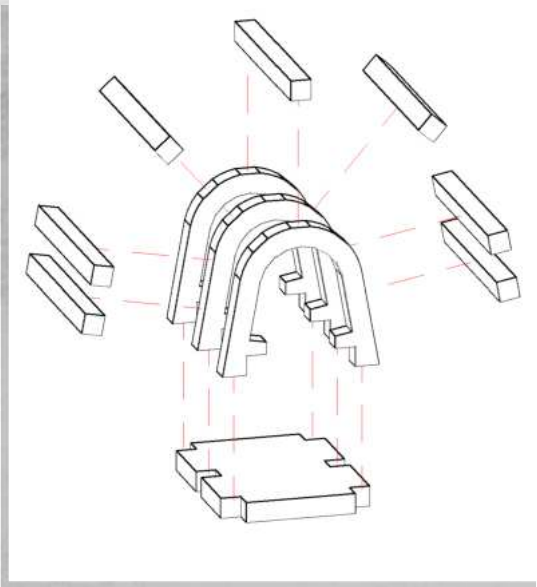
NOTE: Repeat for both benches



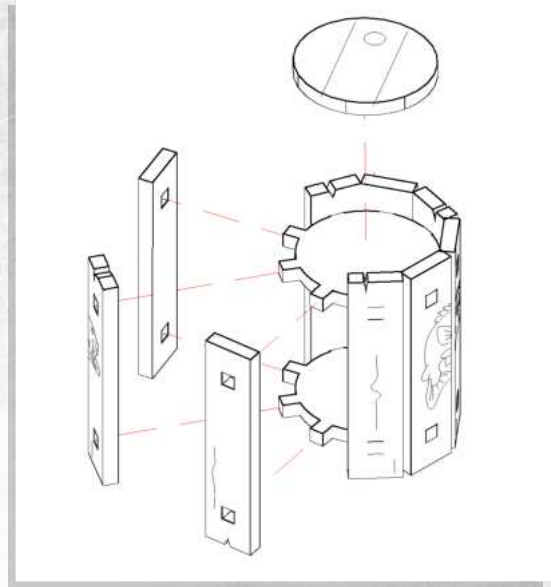


Dunsmouth - Fisherman's Hut - Assembly Guide

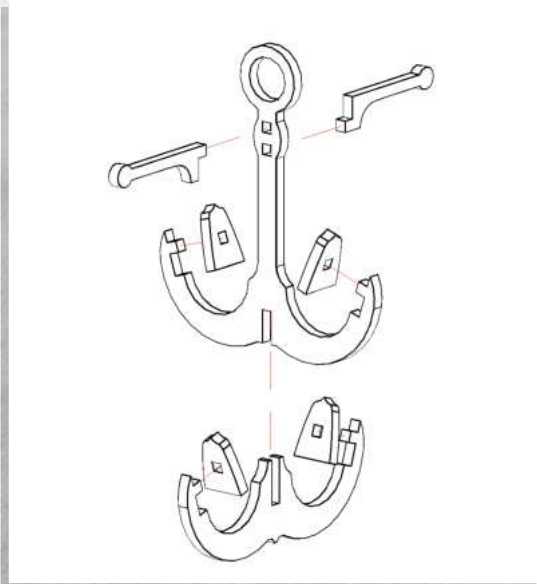
Warning: Pushing parts out by hand may cause damage. Parts can be removed from the MDF boards with a scalpel, and light sanding of any rough edges. We recommend testing assembling sections before permanently gluing together.



NOTE: Repeat for all cages.



NOTE: Repeat for all barrels.



NOTE: Repeat for all anchors.

