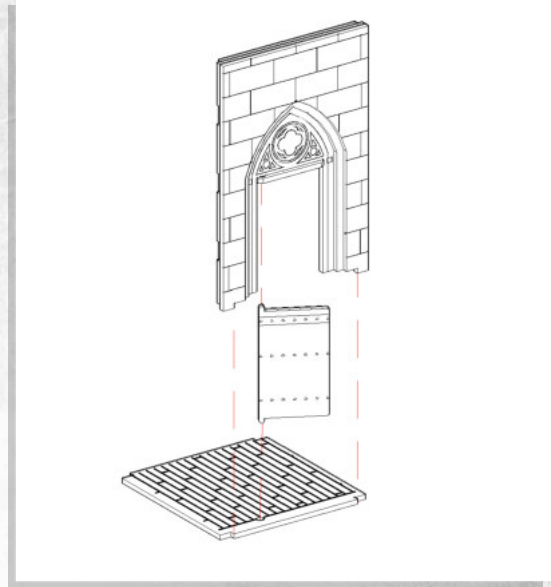
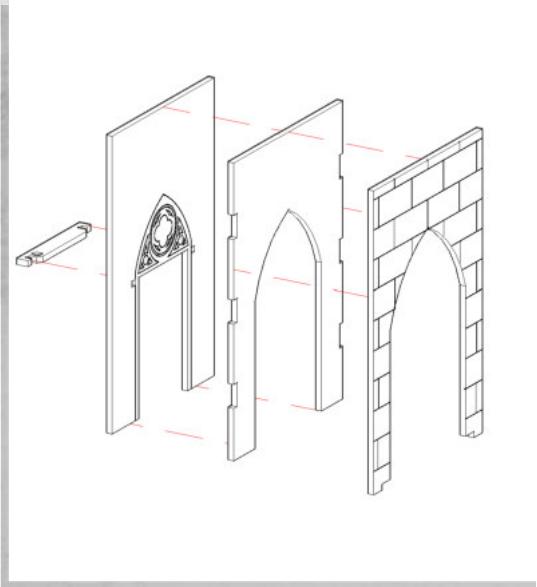


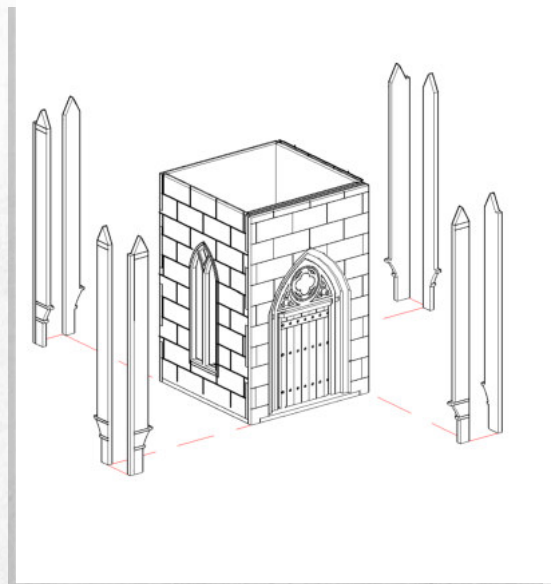
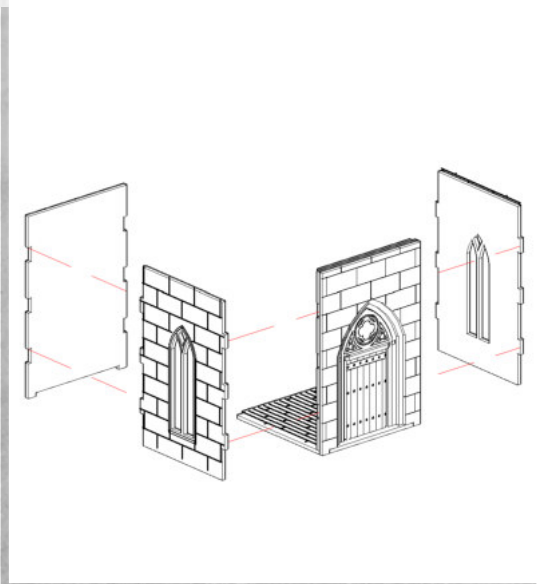


Dunsmouth - Clock Tower - Assembly Guide

Warning: Pushing parts out by hand may cause damage. Parts can be removed from the MDF boards with a scalpel, and light sanding of any rough edges. We recommend testing assembling sections before permanently gluing together.



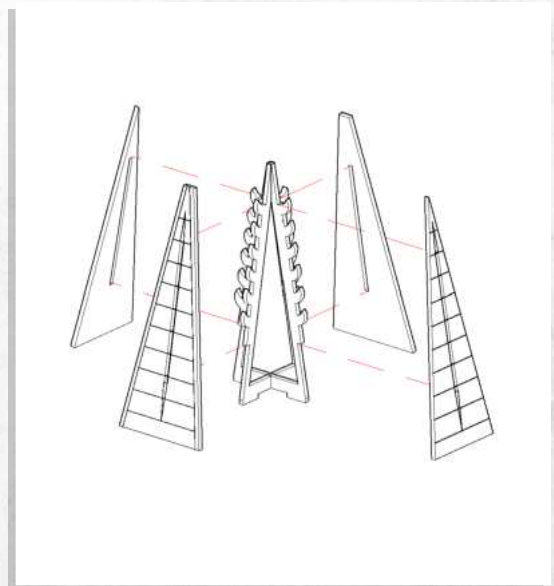
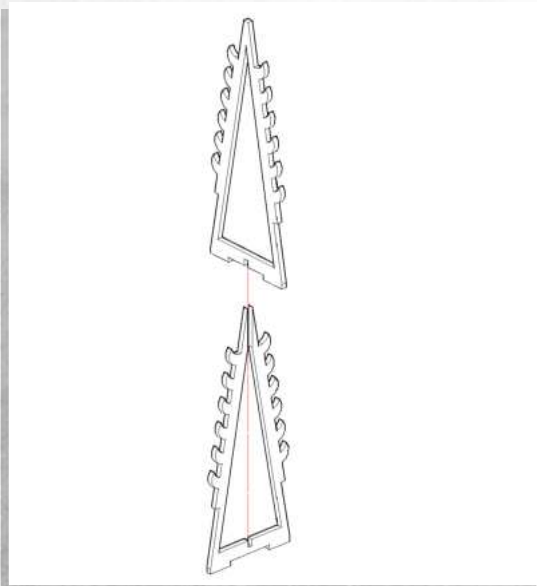
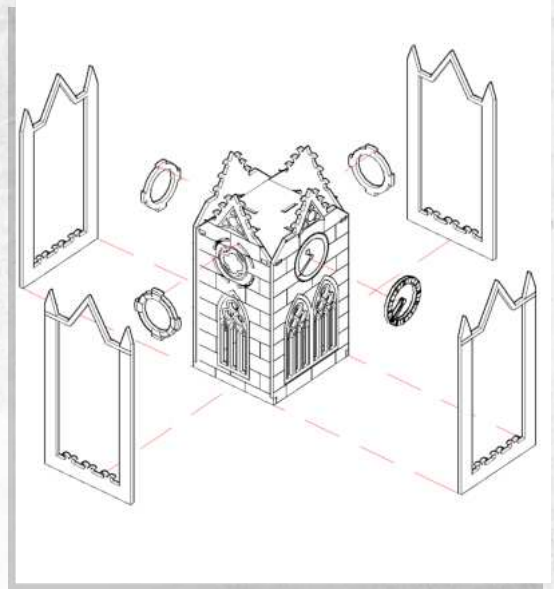
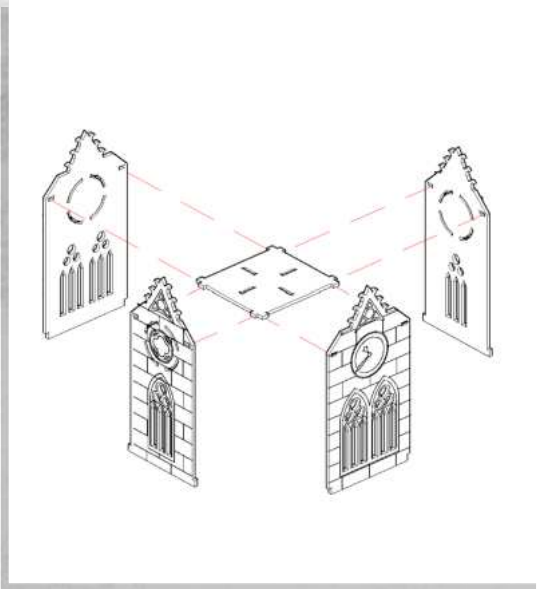
NOTE: Do not use glue on the door





Dunsmouth - Clock Tower - Assembly Guide

Warning: Pushing parts out by hand may cause damage. Parts can be removed from the MDF boards with a scalpel, and light sanding of any rough edges. We recommend testing assembling sections before permanently gluing together.

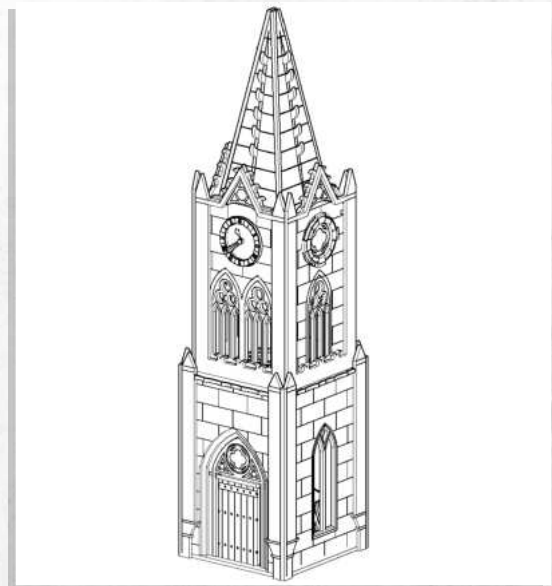
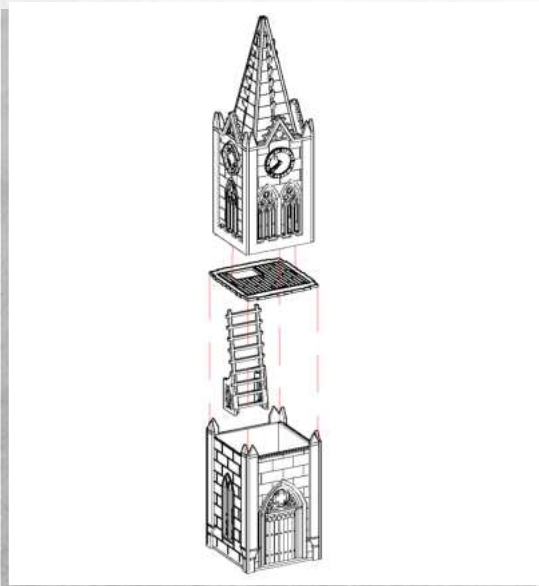
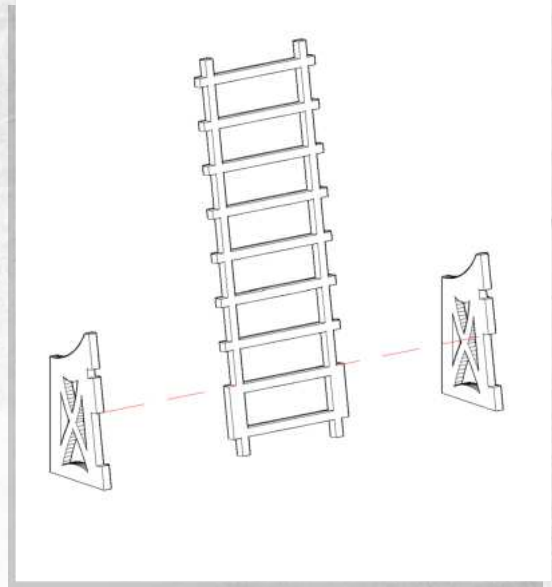
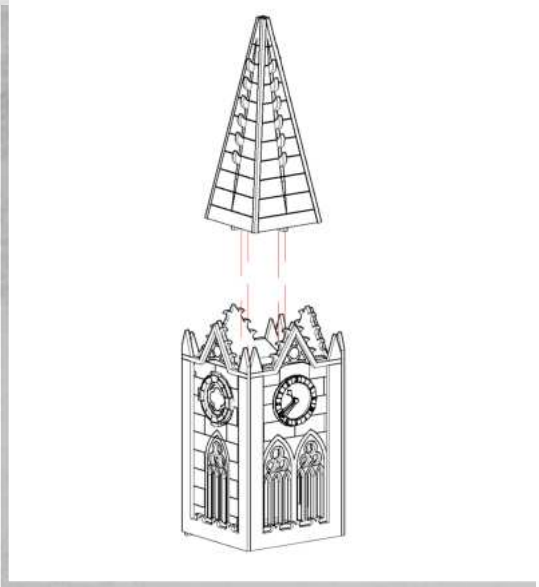




WARCRADLETM
SCENICS

Dunsmouth - Clock Tower - Assembly Guide

Warning: Pushing parts out by hand may cause damage. Parts can be removed from the MDF boards with a scalpel, and light sanding of any rough edges. We recommend testing assembling sections before permanently gluing together.



NOTE: Do not use glue when stacking pieces



WARCRADLETM
STUDIOS

WARCRADLE STUDIOS IS A TRADING NAME OF WAYLAND GAMES LIMITED.
ILLUSTRATIONS AND DESIGNS ARE COPYRIGHT © 2020 WAYLAND GAMES LIMITED. ASSEMBLED IN THE UK.