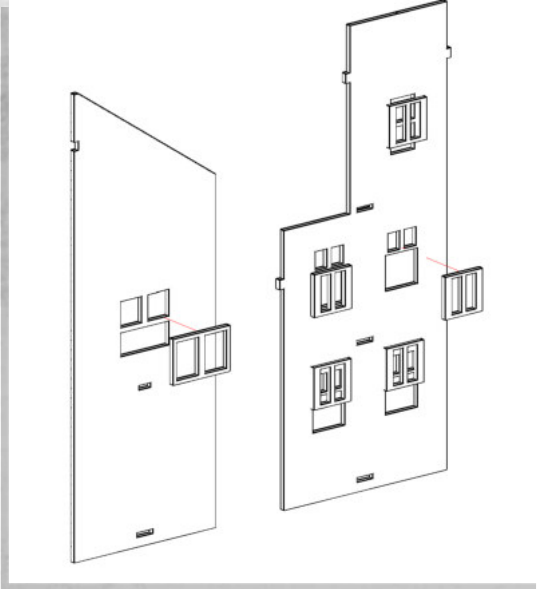


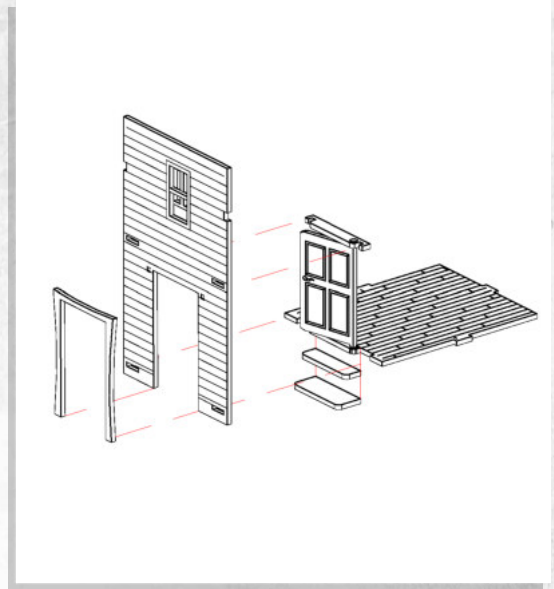


Dunsmouth - 3 Providence Lane - Assembly Guide

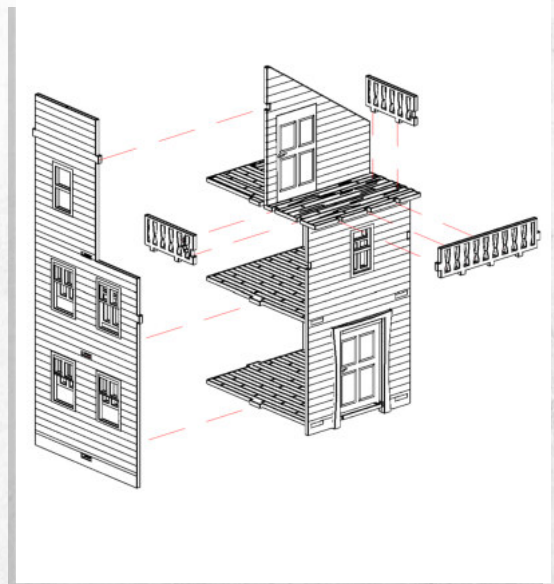
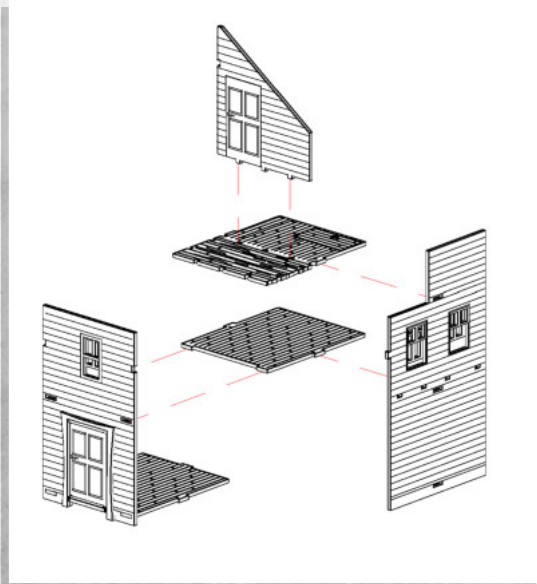
Parts may need careful removal from the MDF boards with a scalpel, and light sanding of any rough edges. We recommend testing assembling sections before permanently gluing together.



NOTE: Glue all windows on the inside of the four walls. Each window piece can be glued at different heights; examples shown above



NOTE: Do not use glue on the door

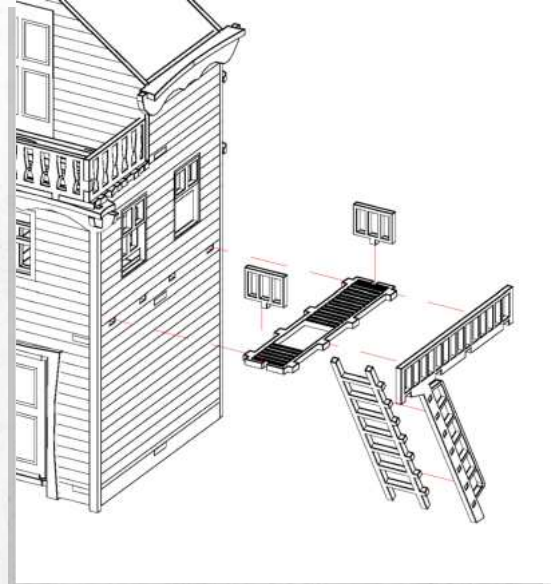
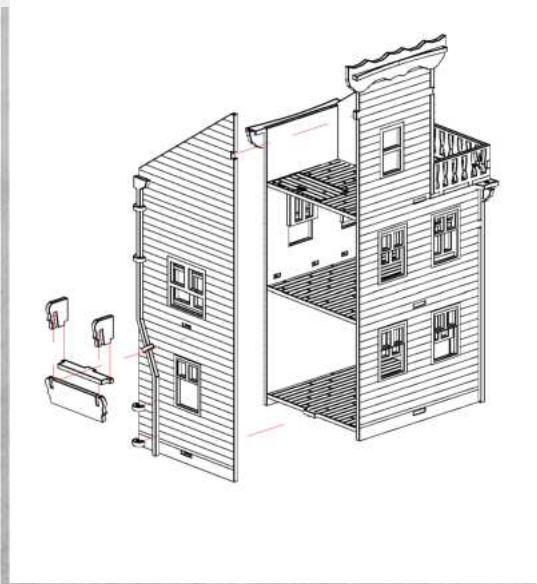
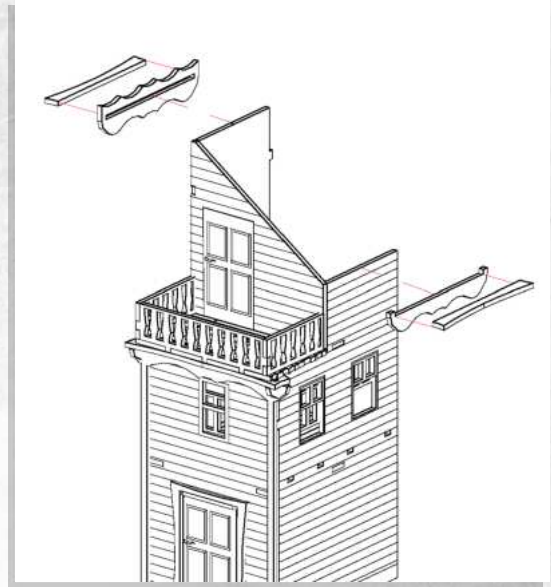
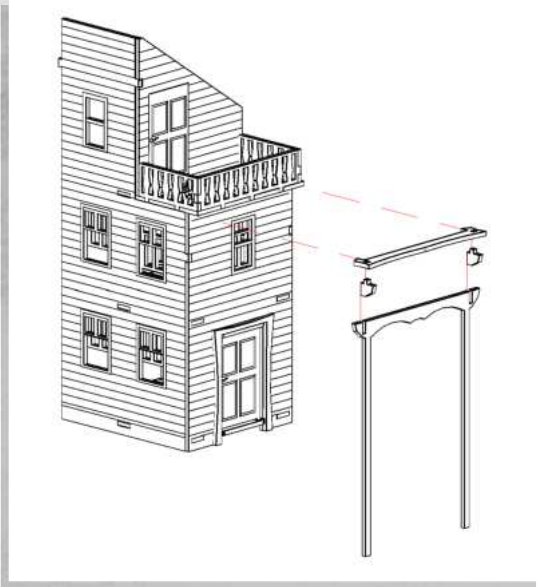




WARCRADLETM
SCENICS

Dunsmouth - 3 Providence Lane - Assembly Guide

Parts may need careful removal from the MDF boards with a scalpel, and light sanding of any rough edges. We recommend testing assembling sections before permanently gluing together.



NOTE: To keep access to the interior, do not use glue on the back wall



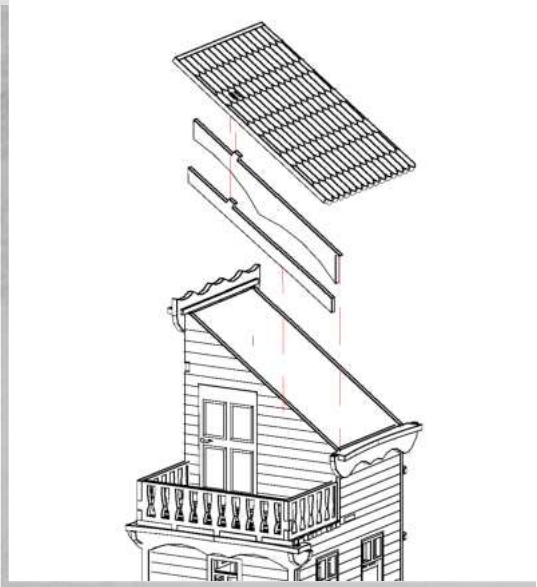
WARCRADLETM
STUDIOS

WARCRADLE STUDIOS IS A TRADING NAME OF WAYLAND GAMES LIMITED.
ILLUSTRATIONS AND DESIGNS ARE COPYRIGHT © 2020 WAYLAND GAMES LIMITED. ASSEMBLED IN THE UK.

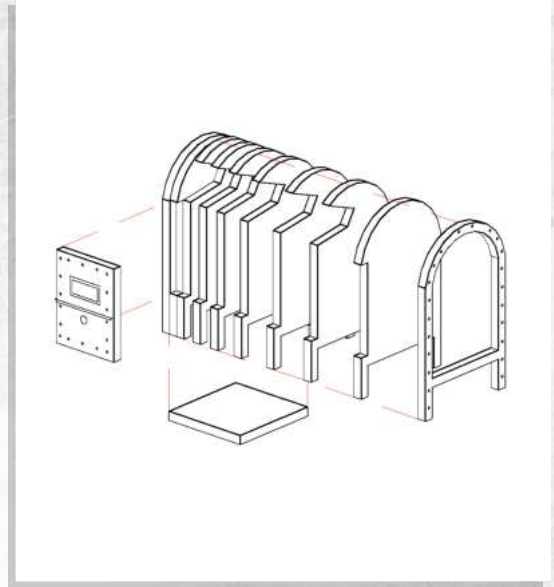


Dunsmouth - 3 Providence Lane - Assembly Guide

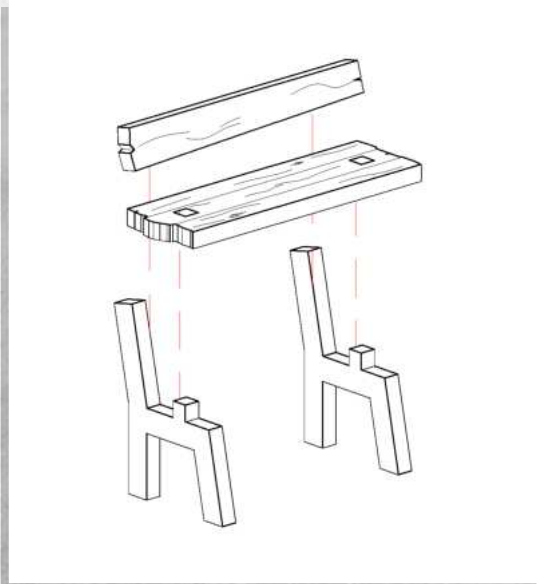
Warning: Pushing parts out by hand may cause damage. Parts can be removed from the MDF boards with a scalpel, and light sanding of any rough edges. We recommend testing assembling sections before permanently gluing together.



NOTE: Do not use glue on the roof



NOTE: Use the bottom piece as a guide



NOTE: Repeat for both benches

