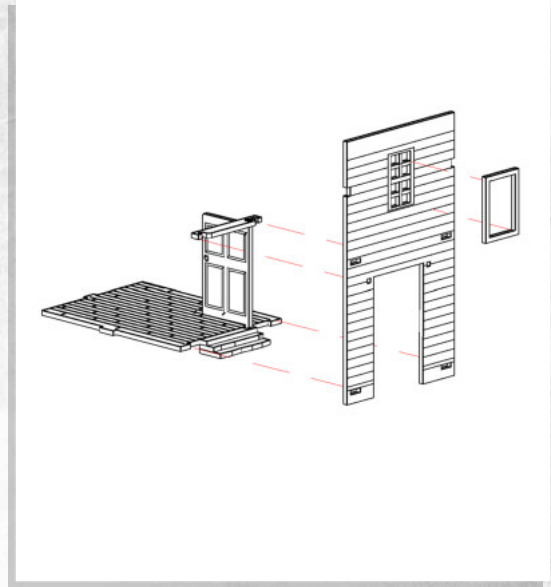
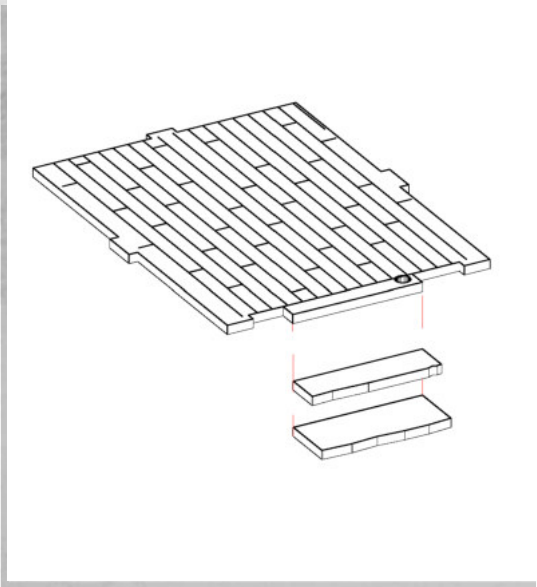




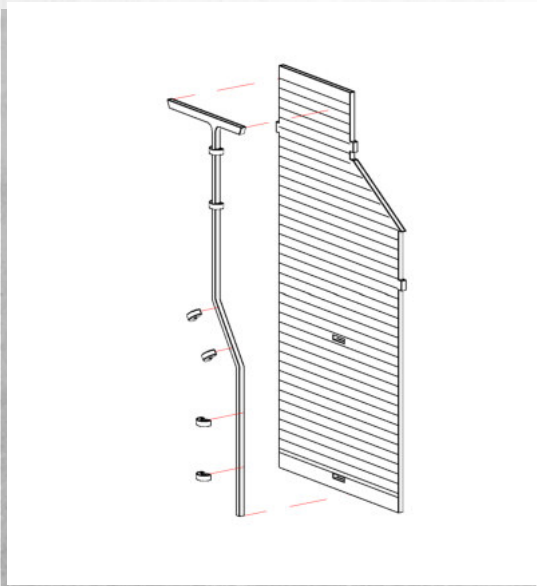
WARCRADLETM
SCENICS

Dunsmouth - 2 Providence Lane - Assembly Guide

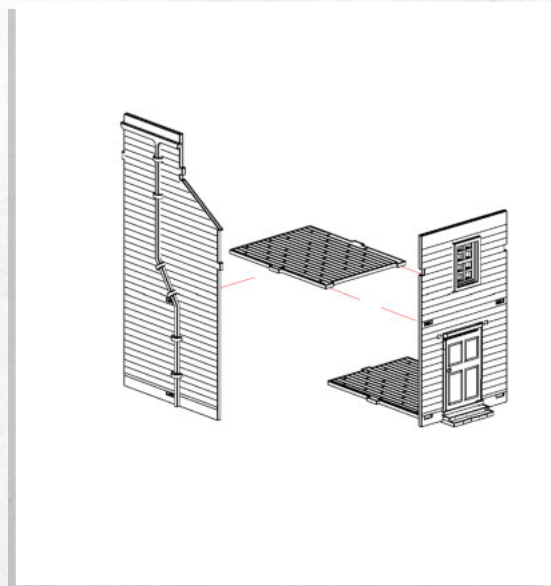
Warning: Pushing parts out by hand may cause damage. Parts can be removed from the MDF boards with a scalpel, and light sanding of any rough edges. We recommend testing assembling sections before permanently gluing together.



NOTE: Do not use glue on the door



NOTE: Line up the bottom edges of the drain pipe and wall



WARCRADLETM
STUDIOS

WARCRADLE STUDIOS IS A TRADING NAME OF WAYLAND GAMES LIMITED.

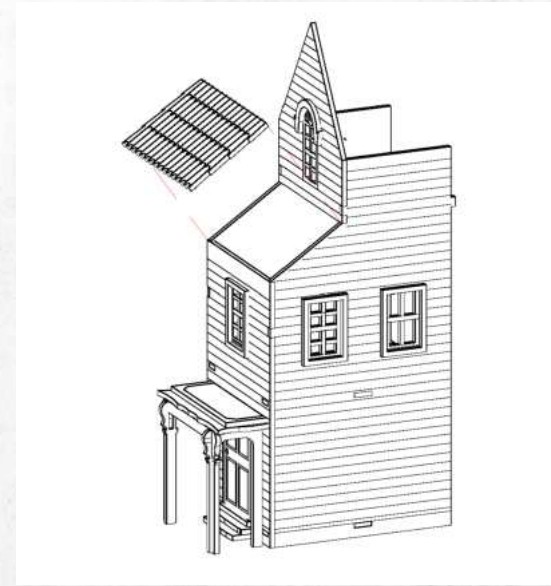
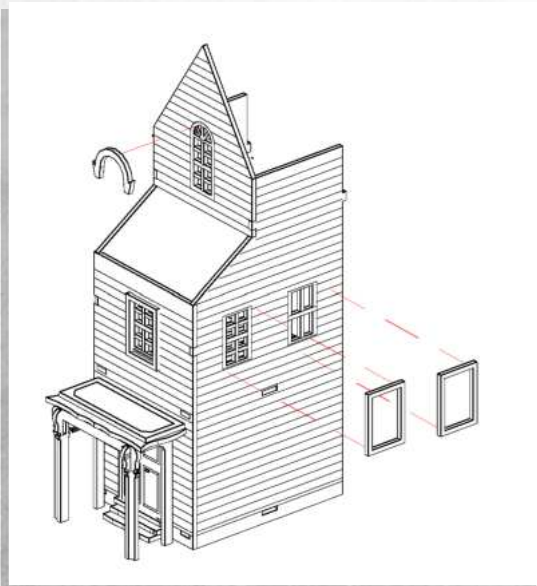
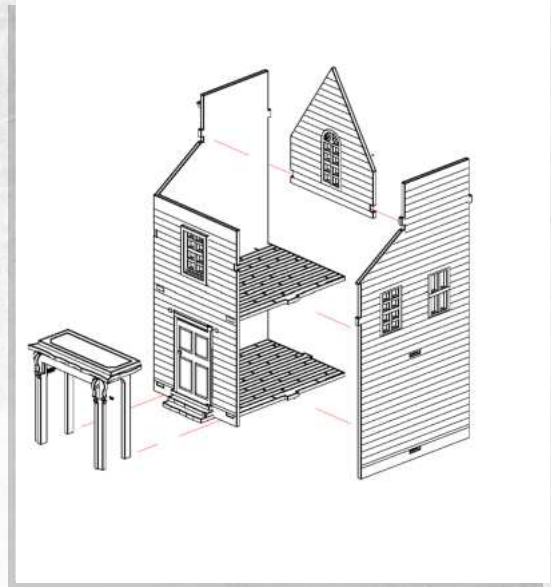
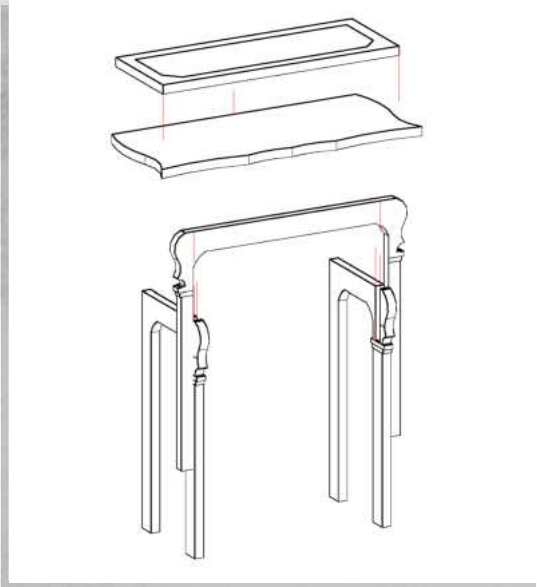
ILLUSTRATIONS AND DESIGNS ARE COPYRIGHT © 2020 WAYLAND GAMES LIMITED. ASSEMBLED IN THE UK.



WARCRADLETM
SCENICS

Dunsmouth - 2 Providence Lane - Assembly Guide

Warning: Pushing parts out by hand may cause damage. Parts can be removed from the MDF boards with a scalpel, and light sanding of any rough edges. We recommend testing assembling sections before permanently gluing together.



WARCRADLETM
STUDIOS

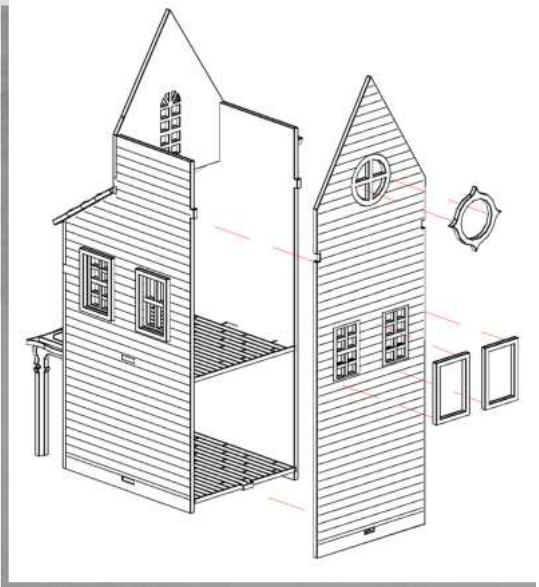
WARCRADLE STUDIOS IS A TRADING NAME OF WAYLAND GAMES LIMITED.

ILLUSTRATIONS AND DESIGNS ARE COPYRIGHT © 2020 WAYLAND GAMES LIMITED. ASSEMBLED IN THE UK.

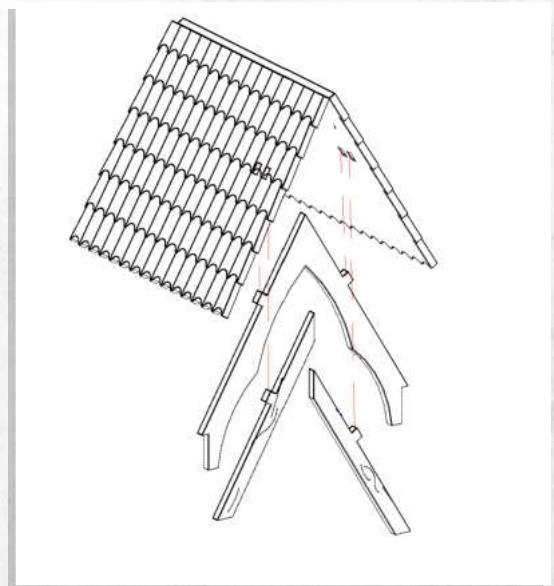
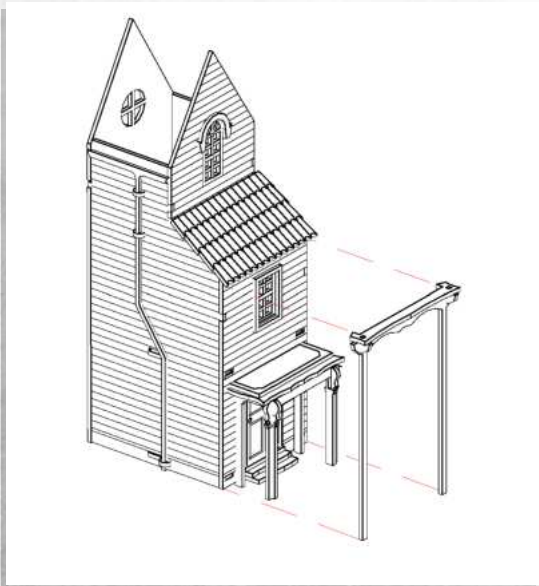


Dunsmouth - 2 Providence Lane - Assembly Guide

Warning: Pushing parts out by hand may cause damage. Parts can be removed from the MDF boards with a scalpel, and light sanding of any rough edges. We recommend testing assembling sections before permanently gluing together.



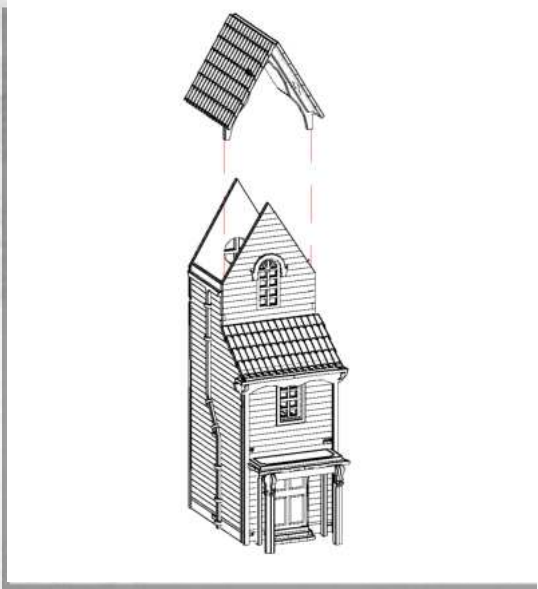
NOTE: To keep access to the interior, do not use glue on the back wall





Dunsmouth - 2 Providence Lane - Assembly Guide

Warning: Pushing parts out by hand may cause damage. Parts can be removed from the MDF boards with a scalpel, and light sanding of any rough edges. We recommend testing assembling sections before permanently gluing together.



NOTE: Do not use glue on the roof



NOTE: Repeat for all lamp posts



NOTE: Repeat for all lamp posts

