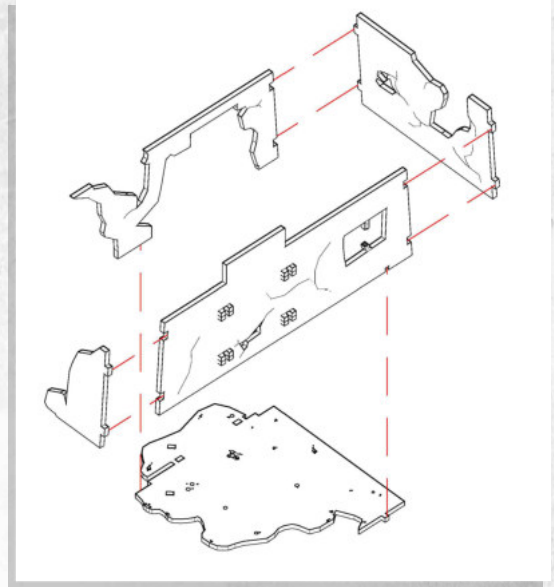
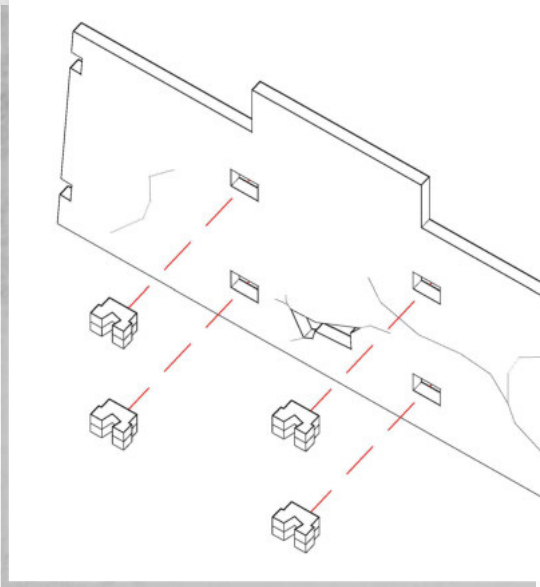


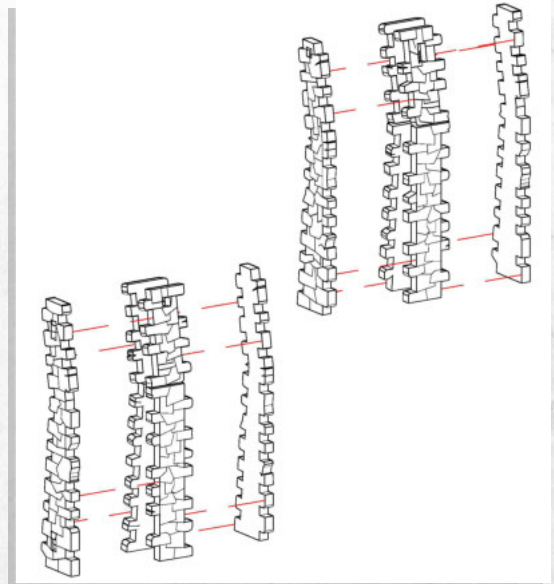
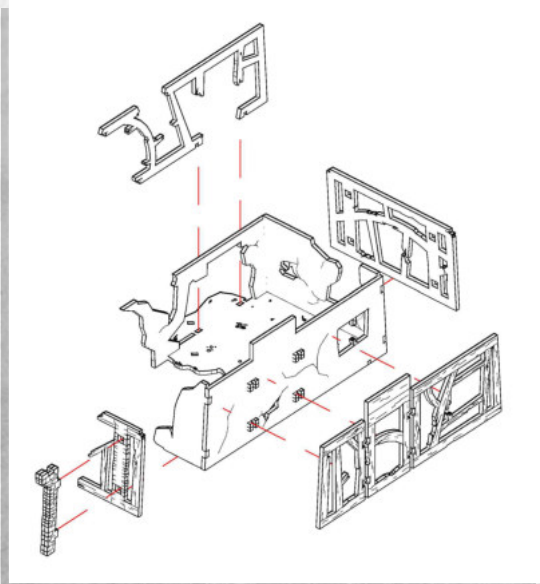


## Gloomburg - Ruined Manor - Assembly Guide

Parts may need careful removal from the MDF boards with a scalpel, and light sanding of any rough edges. We recommend testing assembling sections before permanently gluing together.



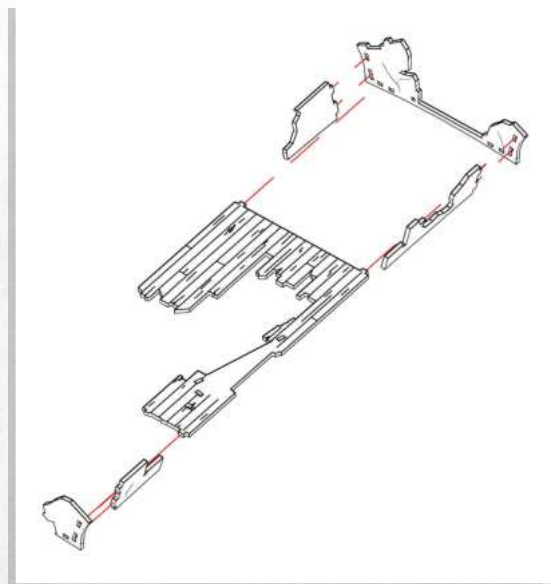
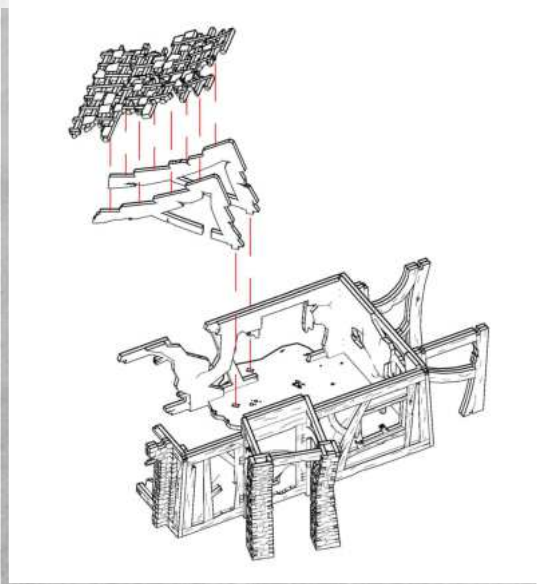
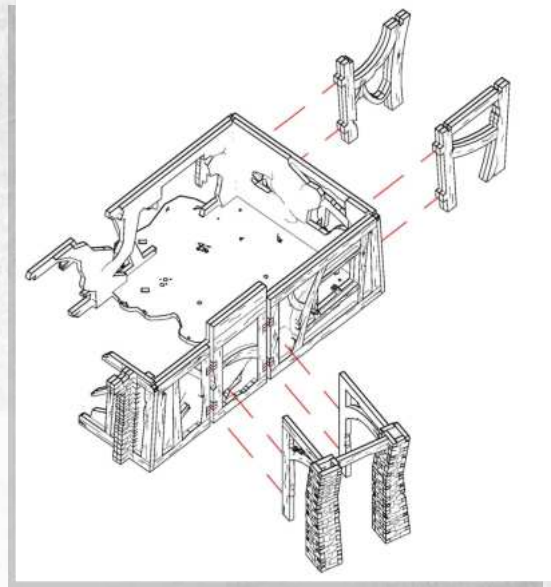
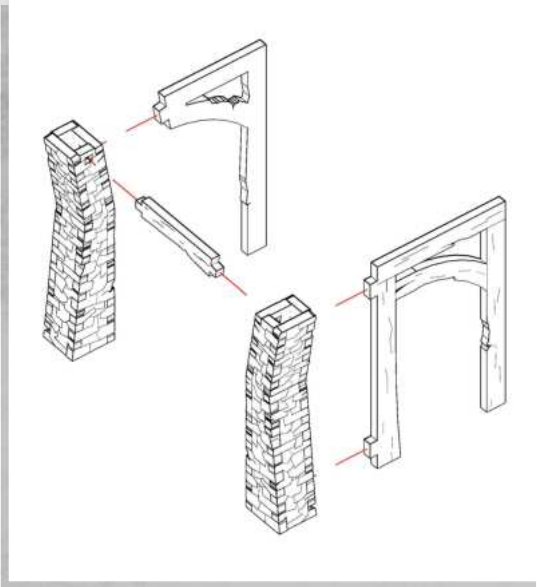
**NOTE:** Be careful to ensure these pieces are correctly aligned.





## Gloomburg - Ruined Manor - Assembly Guide

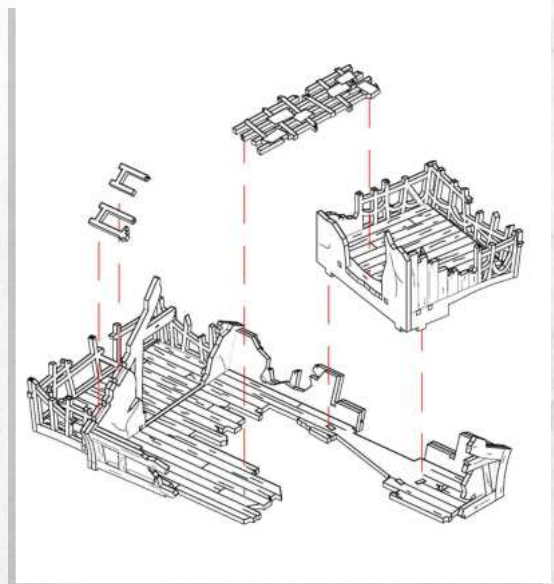
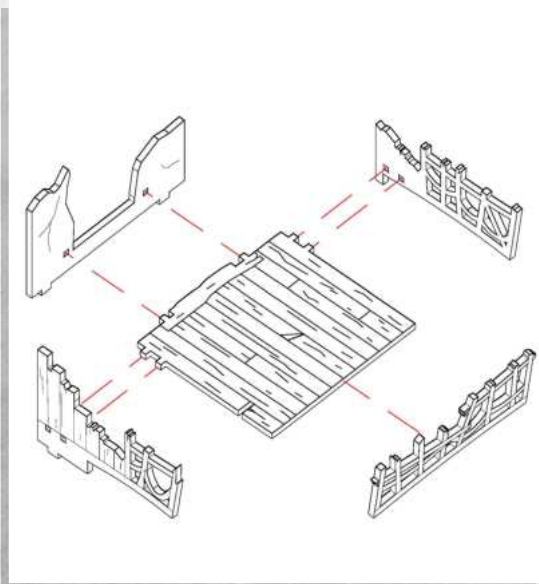
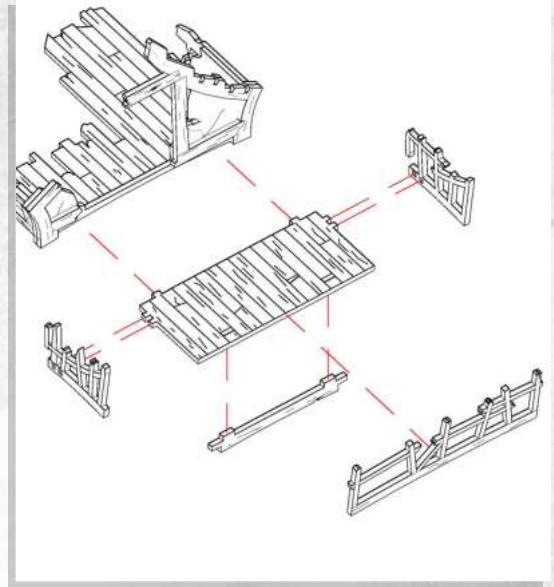
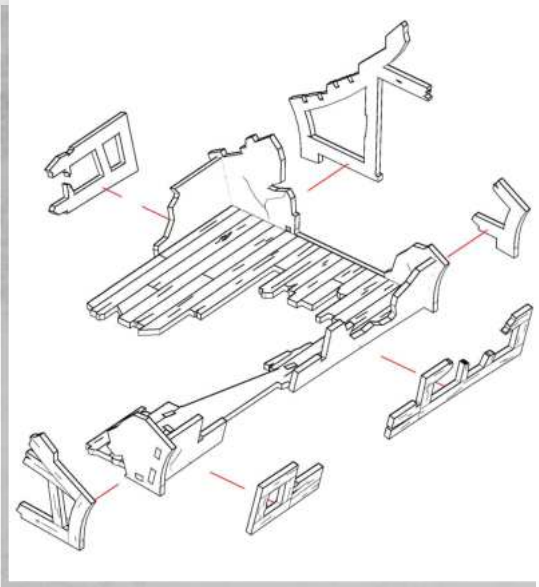
Parts may need careful removal from the MDF boards with a scalpel, and light sanding of any rough edges. We recommend testing assembling sections before permanently gluing together.





## Gloomburg - Ruined Manor - Assembly Guide

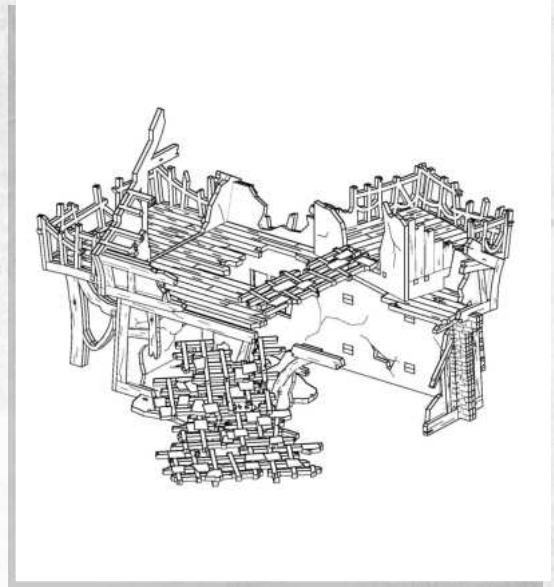
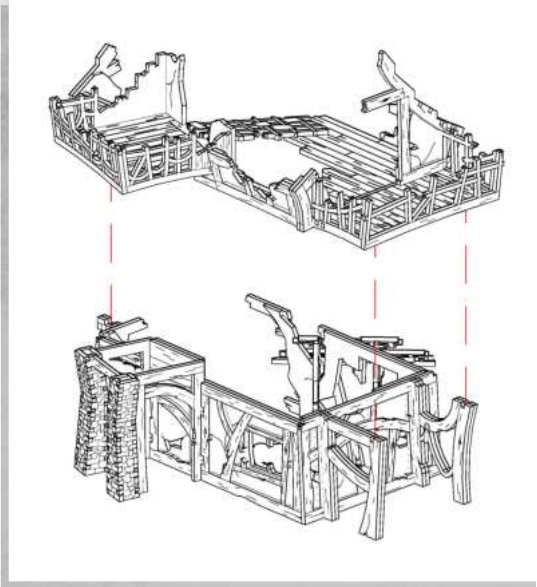
Parts may need careful removal from the MDF boards with a scalpel, and light sanding of any rough edges. We recommend testing assembling sections before permanently gluing together.





## Gloomburg - Ruined Manor - Assembly Guide

Parts may need careful removal from the MDF boards with a scalpel, and light sanding of any rough edges. We recommend testing assembling sections before permanently gluing together.



NOTE: DO NOT GLUE.

