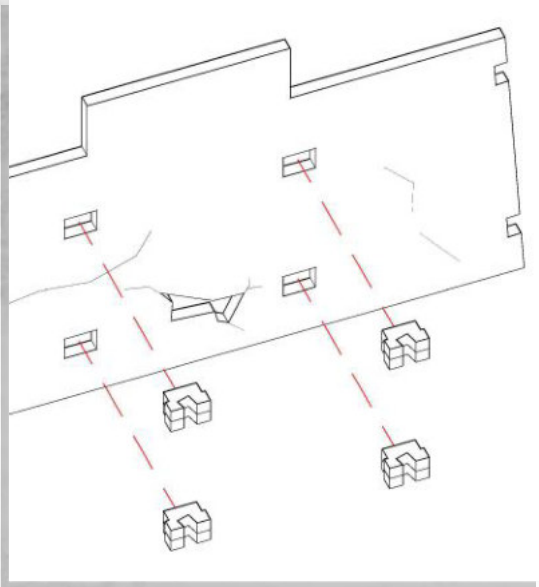


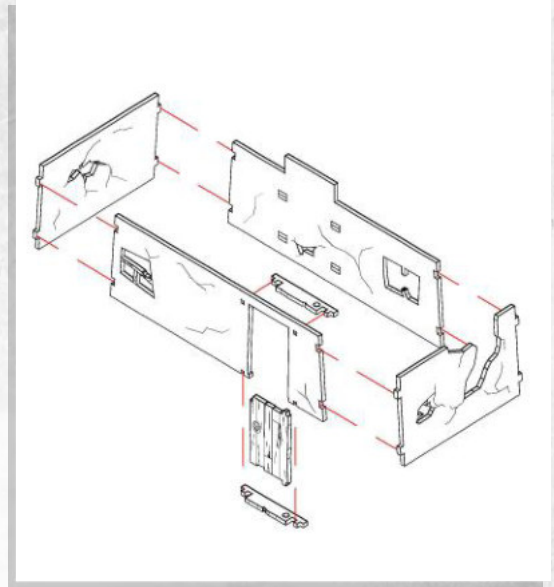


Gloomburg - Manor - Assembly Guide

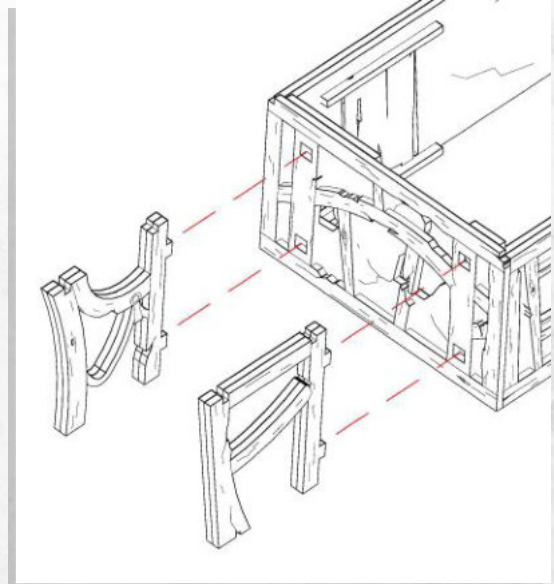
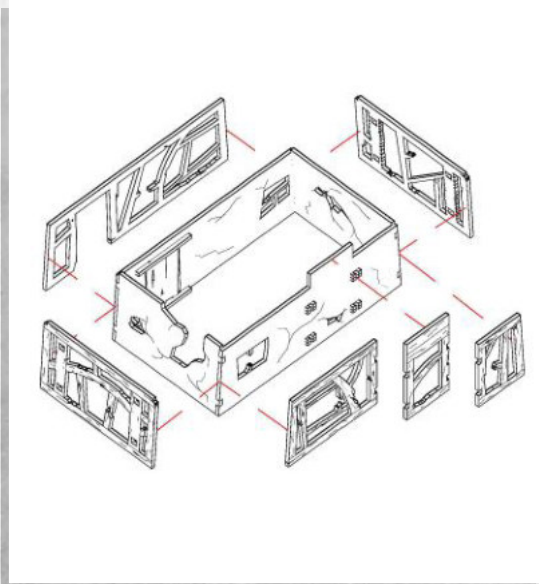
Parts may need careful removal from the MDF boards with a scalpel, and light sanding of any rough edges. We recommend testing assembling sections before permanently gluing together.



NOTE: Be careful to ensure these pieces are correctly aligned.



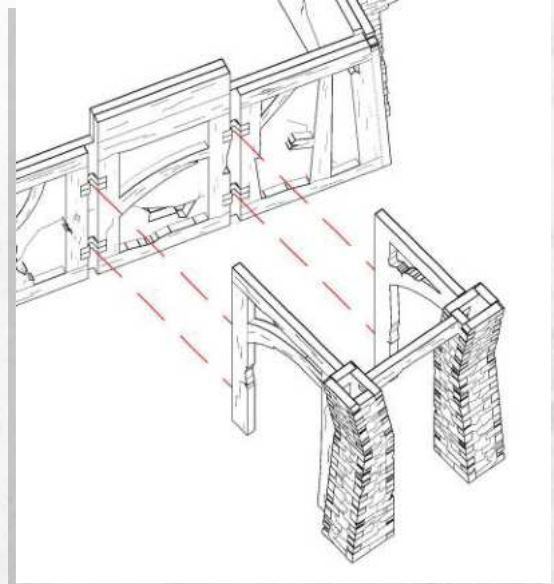
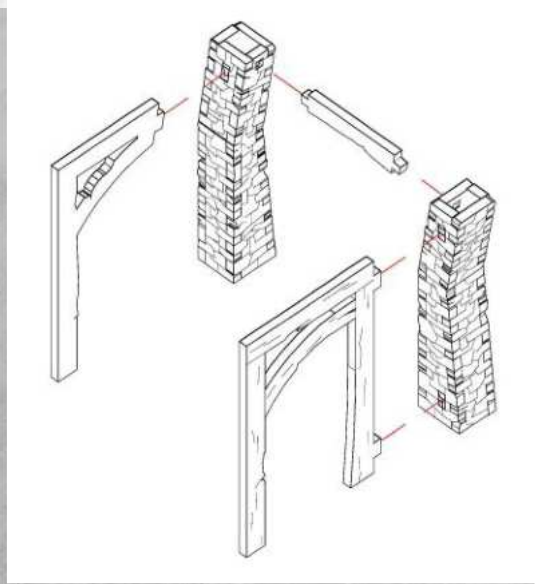
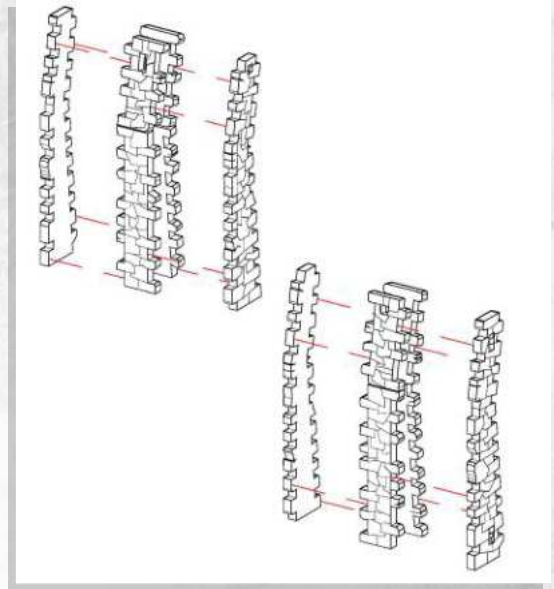
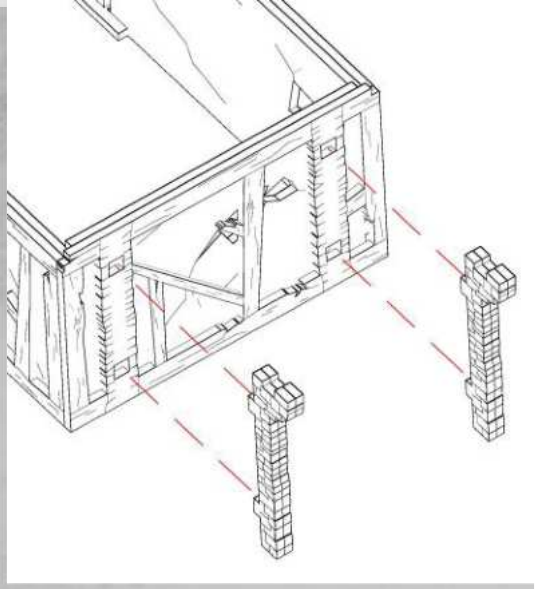
NOTE: Do not use glue when inserting the door into the frame.





Gloomburg - Manor - Assembly Guide

Parts may need careful removal from the MDF boards with a scalpel, and light sanding of any rough edges. We recommend testing assembling sections before permanently gluing together.

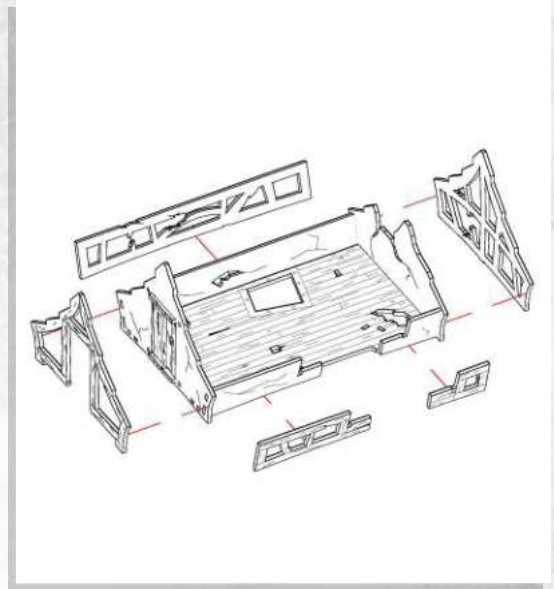
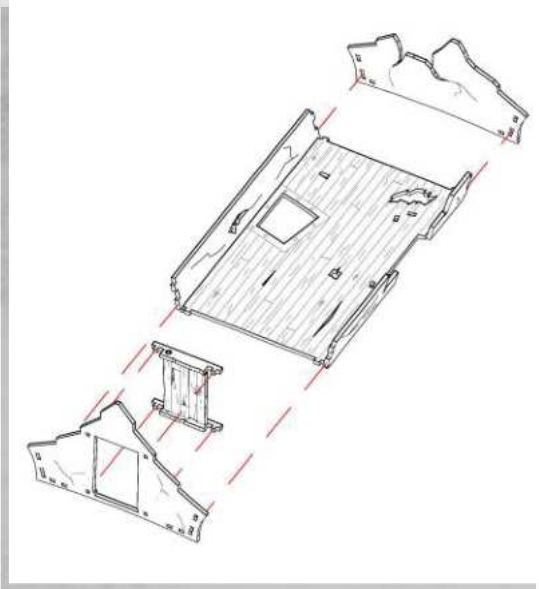




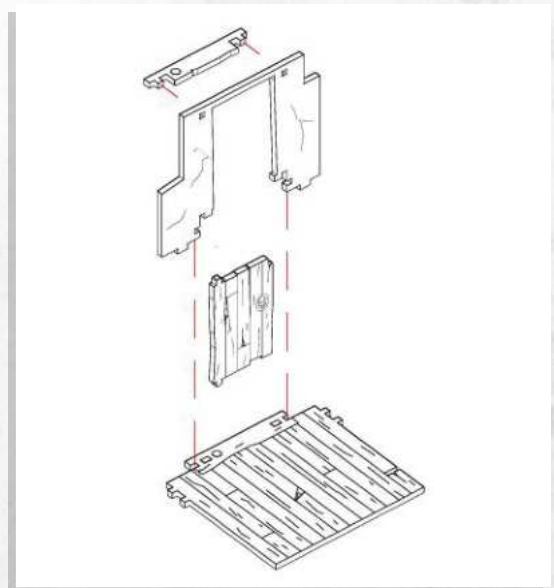
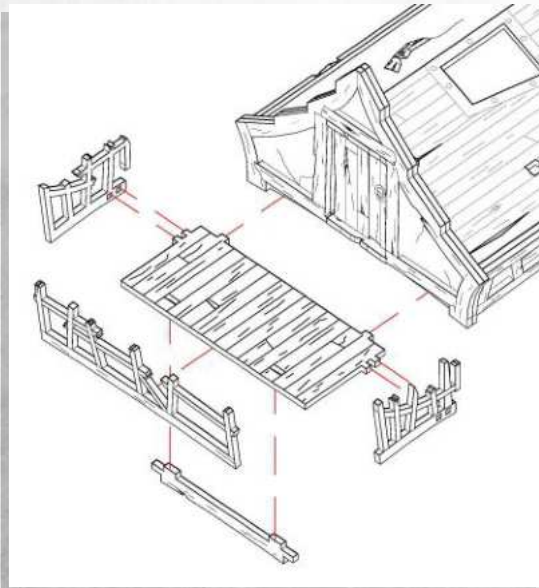
WARCRADLETM
SCENICS

Gloomburg - Manor - Assembly Guide

Parts may need careful removal from the MDF boards with a scalpel, and light sanding of any rough edges. We recommend testing assembling sections before permanently gluing together.



NOTE: Do not glue the door into the frame.



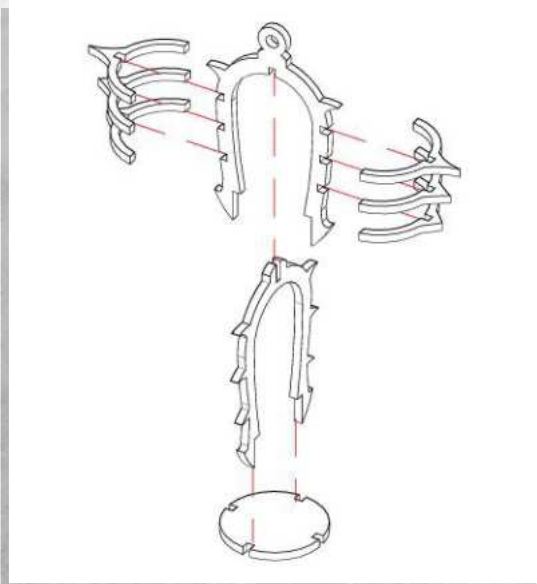
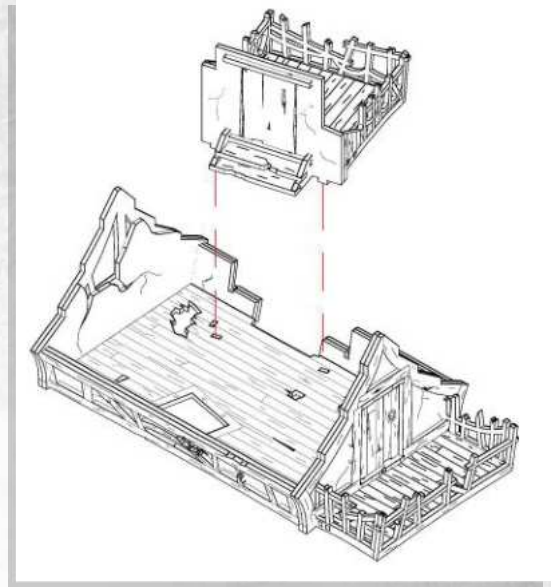
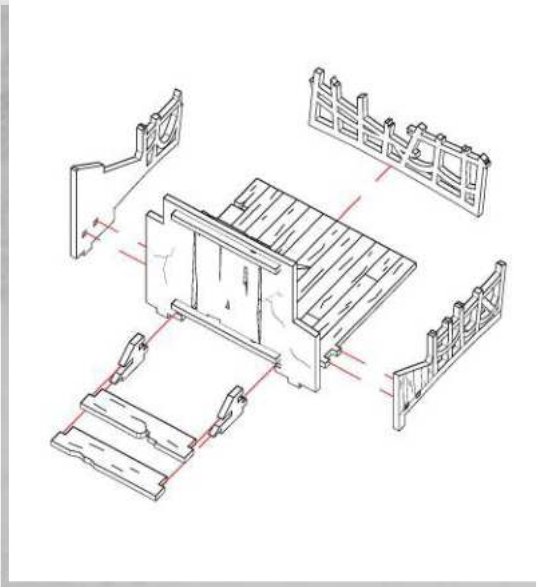
WARCRADLETM
STUDIOS

WARCRADLE STUDIOS IS A TRADING NAME OF WAYLAND GAMES LIMITED.
ILLUSTRATIONS AND DESIGNS ARE COPYRIGHT © 2019 WAYLAND GAMES LIMITED. ASSEMBLED IN THE UK.

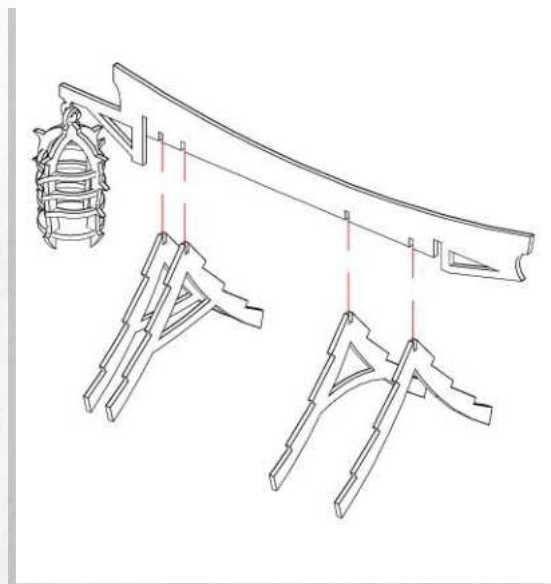


Gloomburg - Manor - Assembly Guide

Parts may need careful removal from the MDF boards with a scalpel, and light sanding of any rough edges. We recommend testing assembling sections before permanently gluing together.



NOTE: Roof Option A (Gibbet)

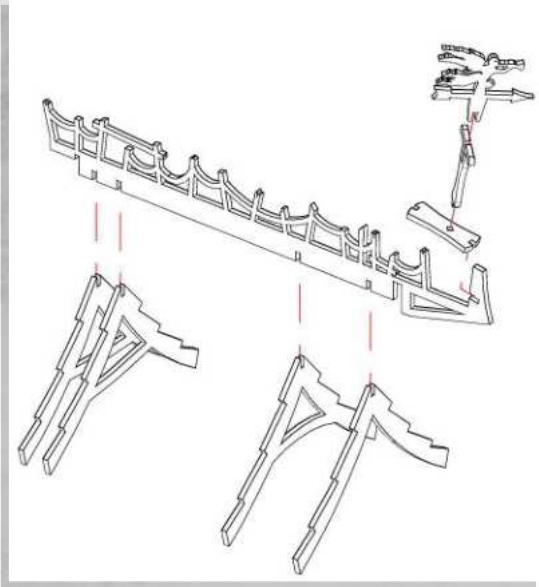


NOTE: Roof Option A
NOTE: Gibbet can be hooked on the end.



Gloomburg - Manor - Assembly Guide

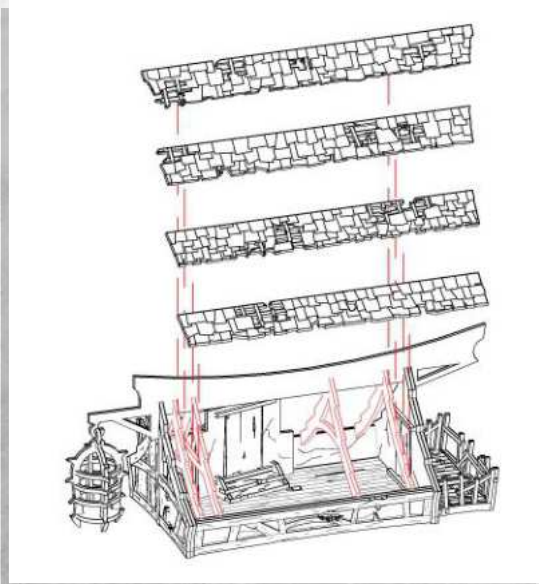
Parts may need careful removal from the MDF boards with a scalpel, and light sanding of any rough edges. We recommend testing assembling sections before permanently gluing together.



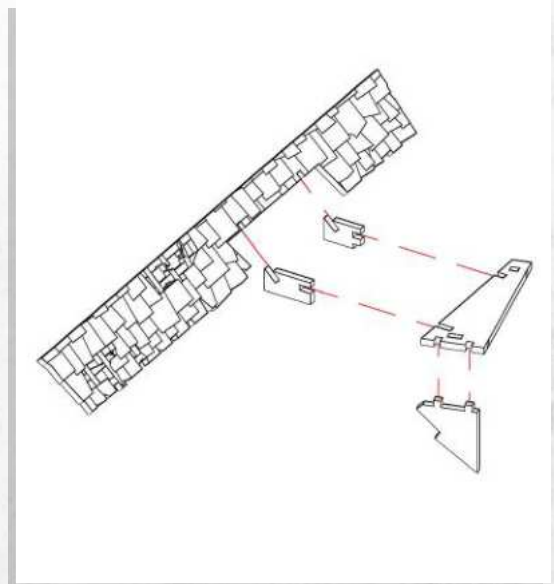
NOTE: Roof Option B (Weather Vane)



NOTE: Lower the roof into place but DO NOT GLUE.



NOTE: Glue tile sections to the highlighted areas only.

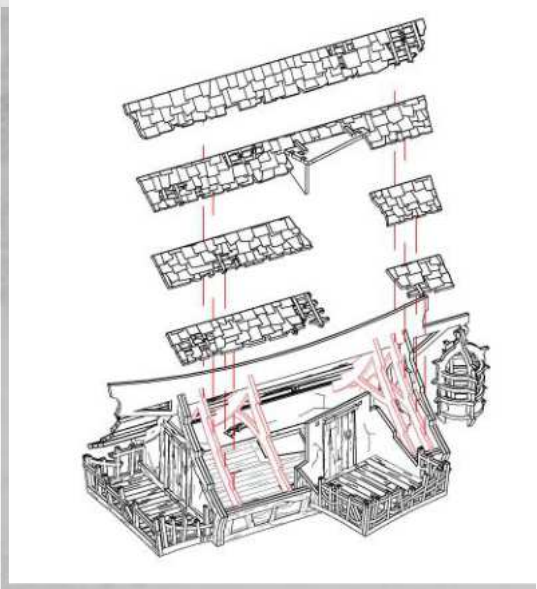




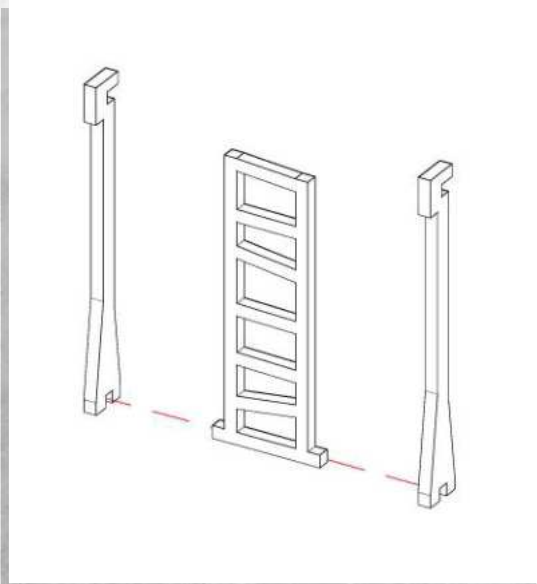
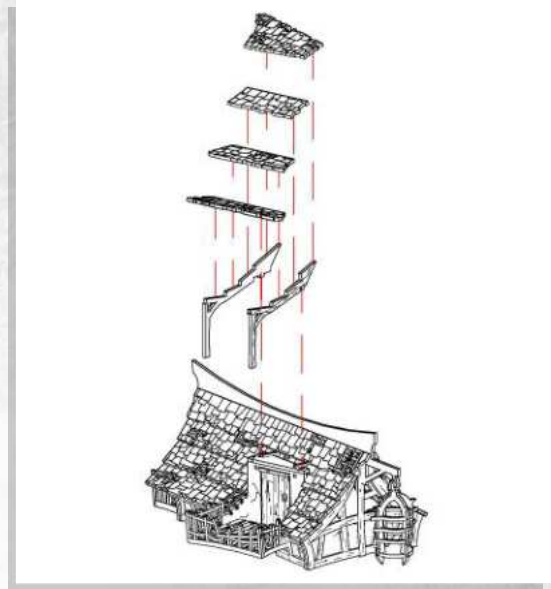
WARCRADLETM
SCENICS

Gloomburg - Manor - Assembly Guide

Parts may need careful removal from the MDF boards with a scalpel, and light sanding of any rough edges. We recommend testing assembling sections before permanently gluing together.



NOTE: Glue tile sections to the highlighted areas only.



NOTE: Ladders can be slotted onto the hole in the first floor.



NOTE: DO NOT GLUE



WARCRADLETM
STUDIOS

WARCRADLE STUDIOS IS A TRADING NAME OF WAYLAND GAMES LIMITED.
ILLUSTRATIONS AND DESIGNS ARE COPYRIGHT © 2019 WAYLAND GAMES LIMITED. ASSEMBLED IN THE UK.



WARCRADLETM
SCENICS

Gloomburg - Manor - Assembly Guide

Parts may need careful removal from the MDF boards with a scalpel, and light sanding of any rough edges. We recommend testing assembling sections before permanently gluing together.

