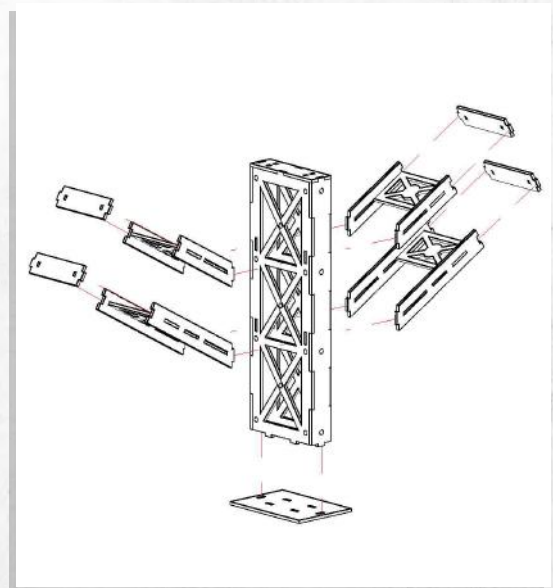
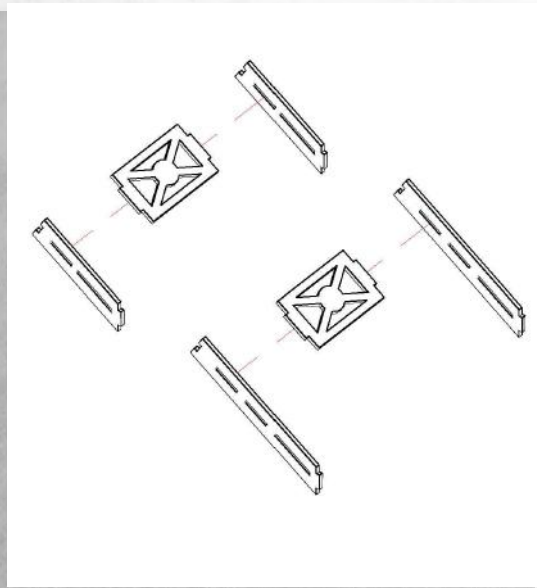
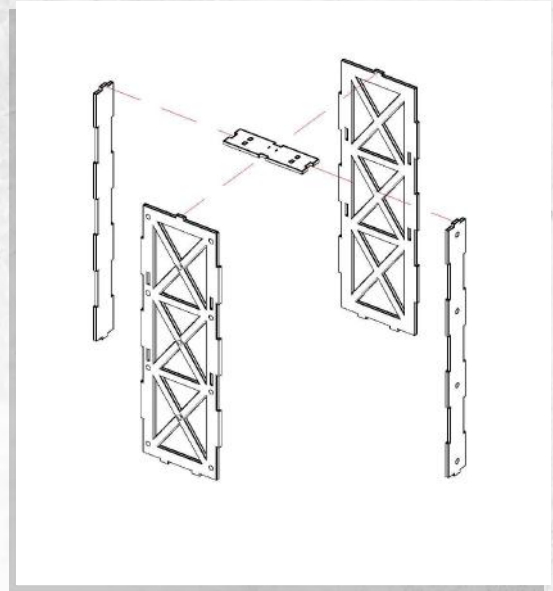
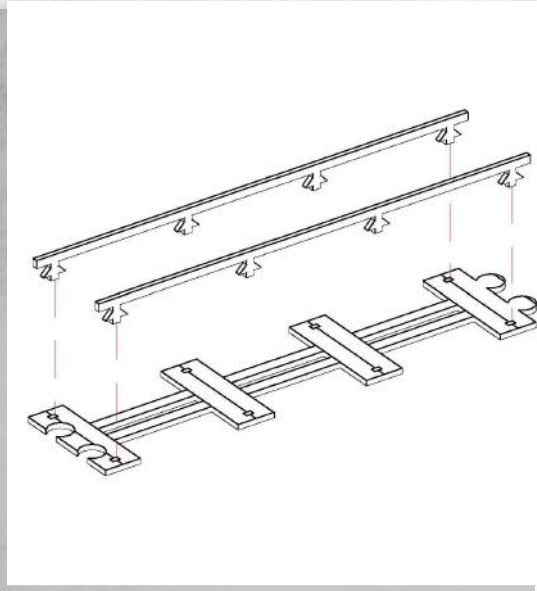




Funland - Rollercoaster - Assembly Guide

Parts may need careful removal from the MDF boards with a scalpel, and light sanding of any rough edges. We recommend testing assembling sections before permanently gluing together.



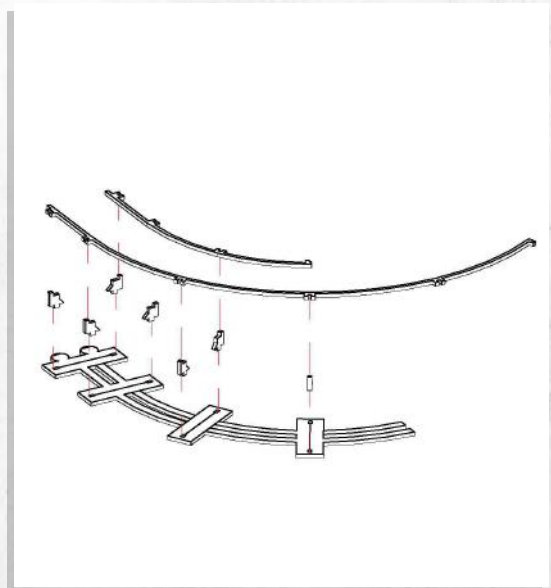
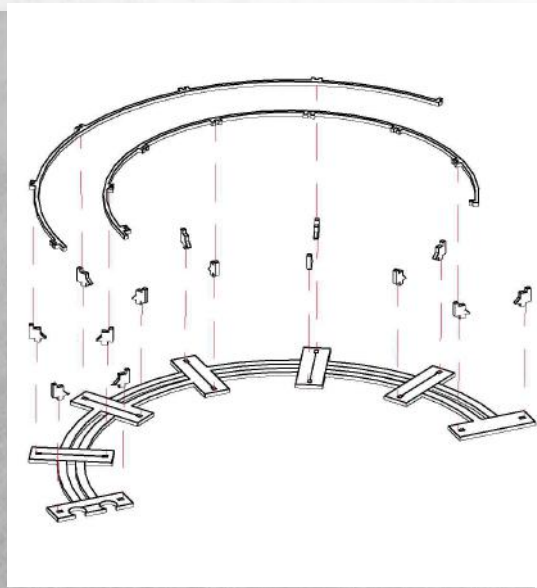
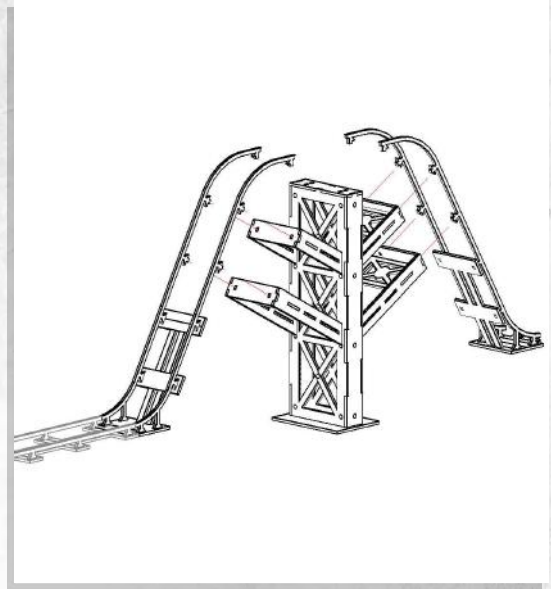
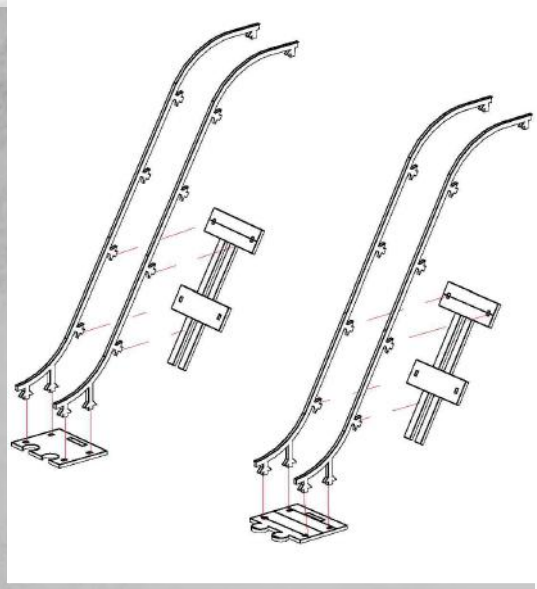
NOTE: Do this step twice





Funland - Rollercoaster - Assembly Guide

Parts may need careful removal from the MDF boards with a scalpel, and light sanding of any rough edges. We recommend testing assembling sections before permanently gluing together.

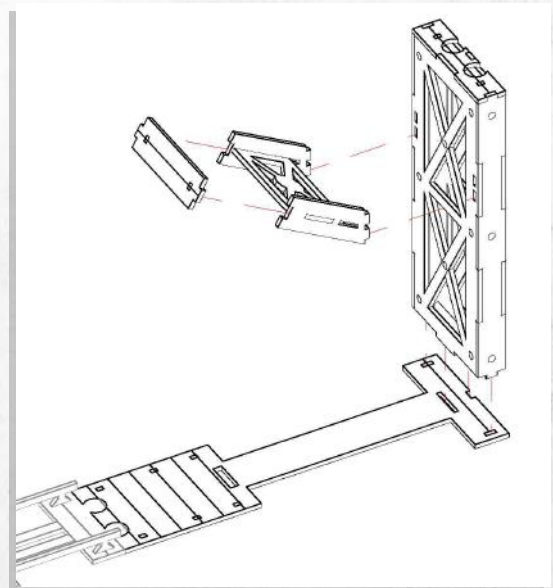
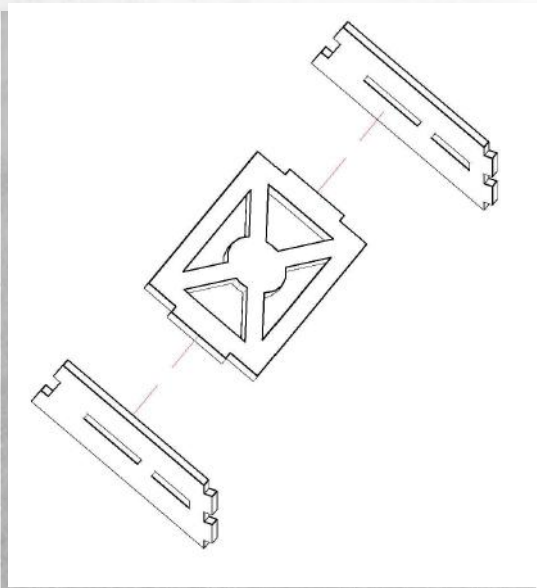
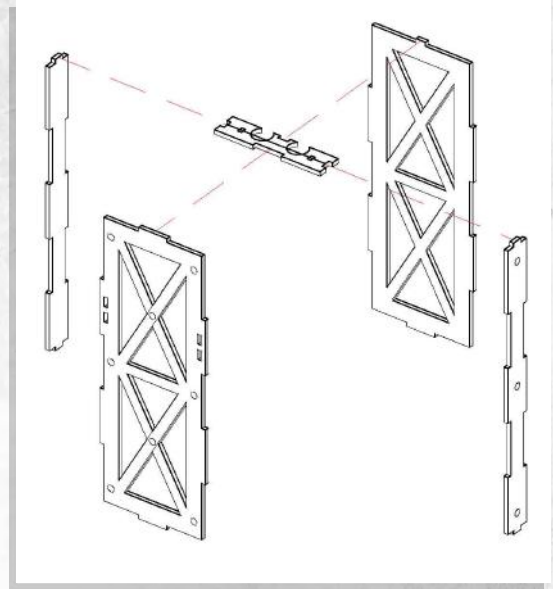
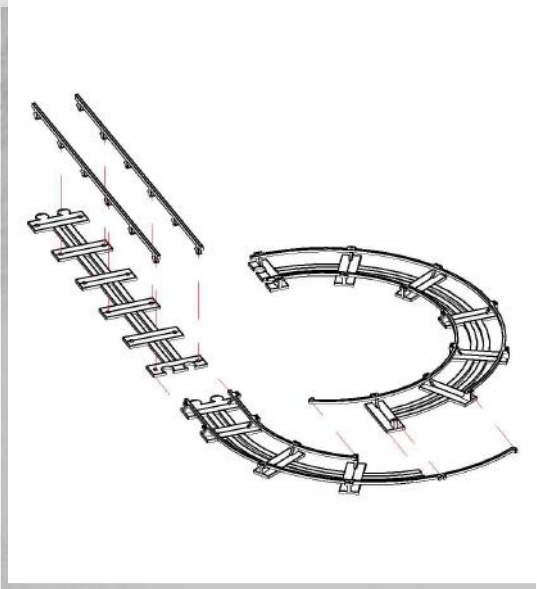




WARCRADLETM
SCENICS

Funland - Rollercoaster - Assembly Guide

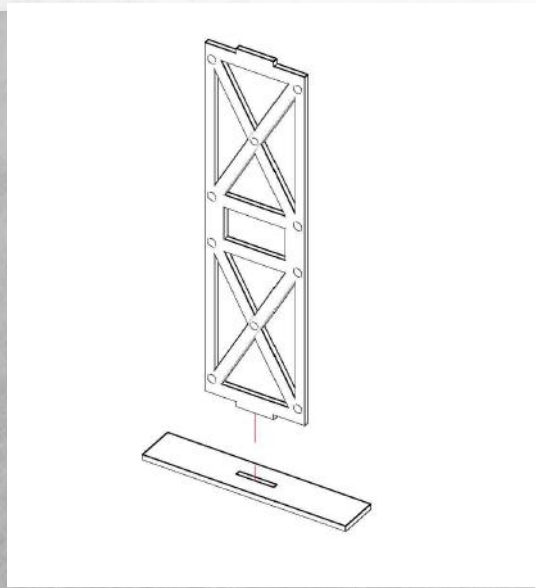
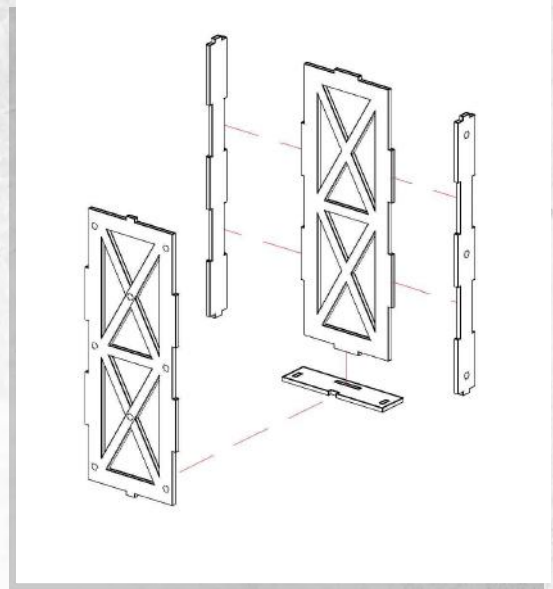
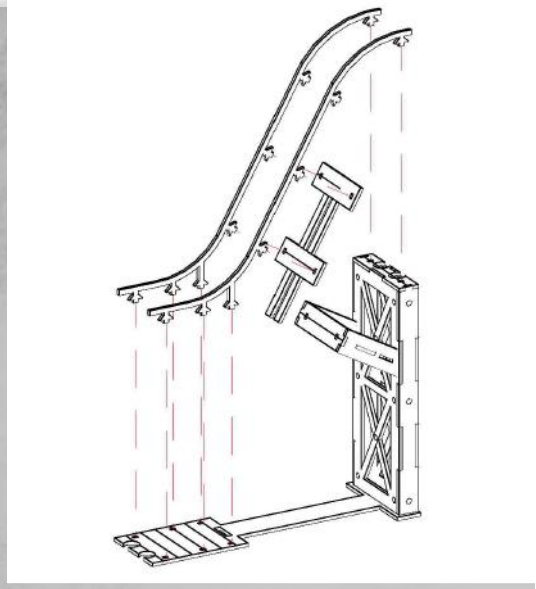
Parts may need careful removal from the MDF boards with a scalpel, and light sanding of any rough edges. We recommend testing assembling sections before permanently gluing together.



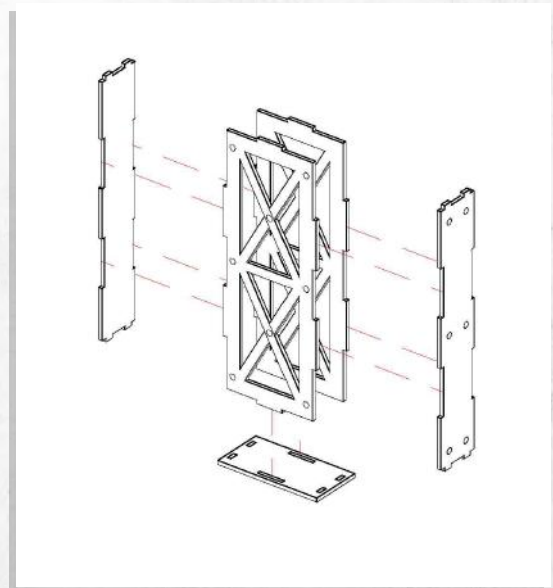


Funland - Rollercoaster - Assembly Guide

Parts may need careful removal from the MDF boards with a scalpel, and light sanding of any rough edges. We recommend testing assembling sections before permanently gluing together.



NOTE: Repeat this step four times, ready to assemble the raised track



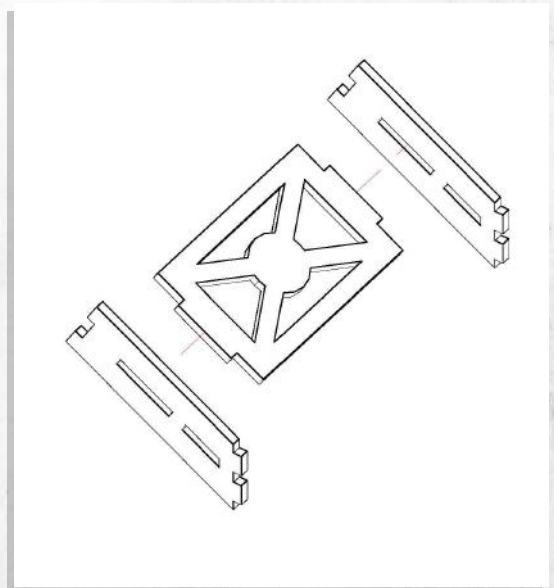
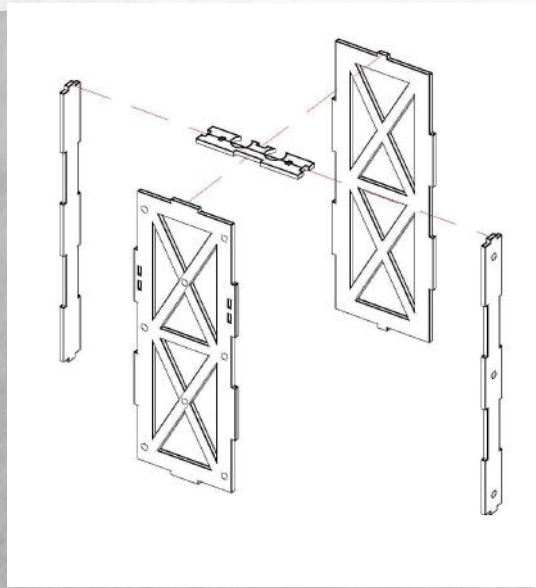
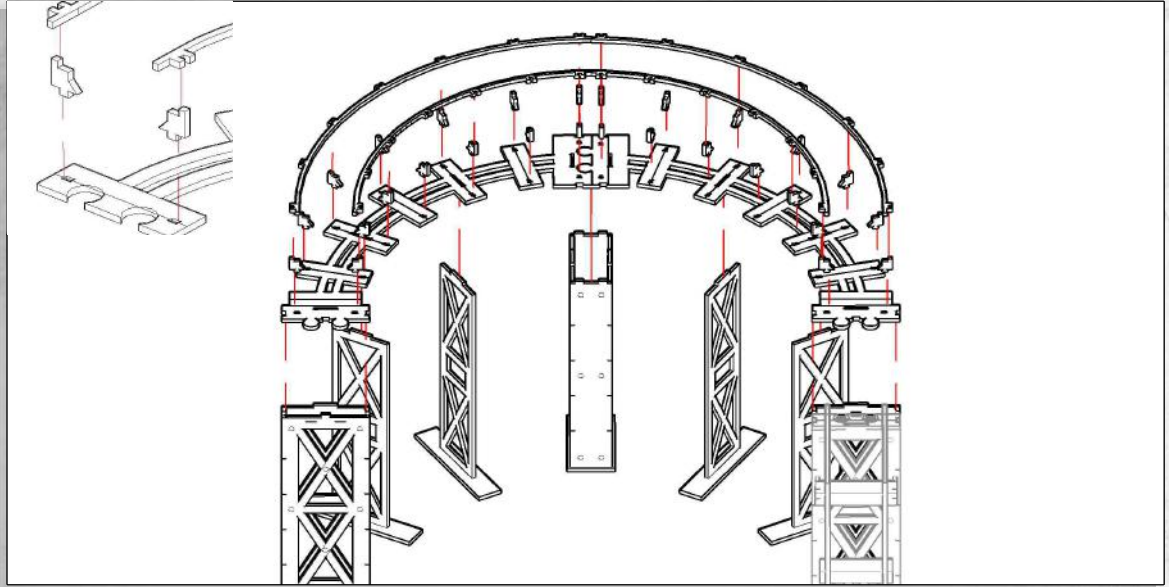
NOTE: This tower is for the middle of the raised track



WARCRADLETM
SCENICS

Funland - Rollercoaster - Assembly Guide

Parts may need careful removal from the MDF boards with a scalpel, and light sanding of any rough edges. We recommend testing assembling sections before permanently gluing together.

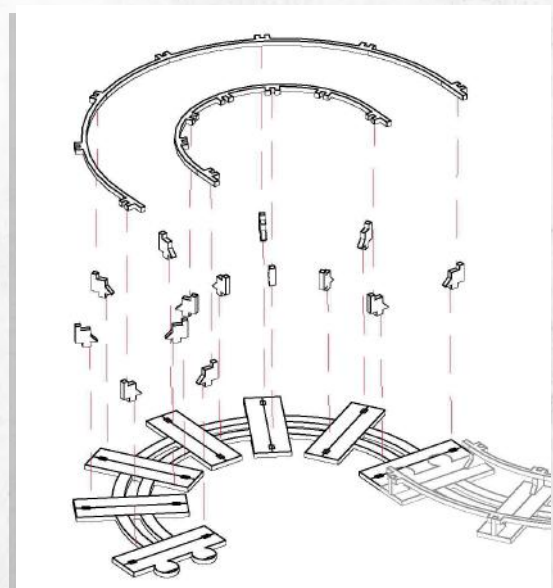
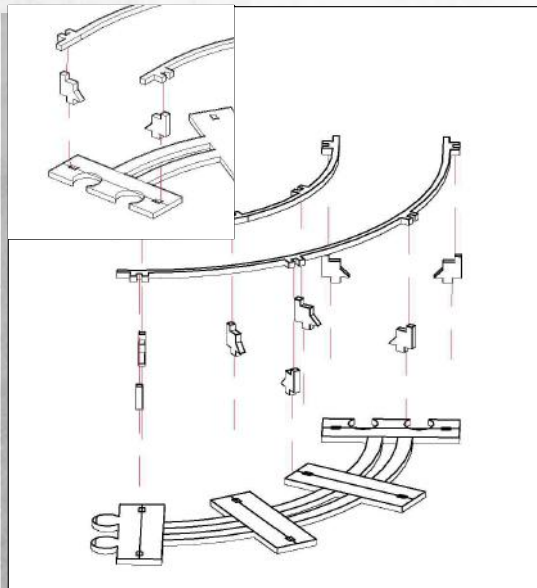
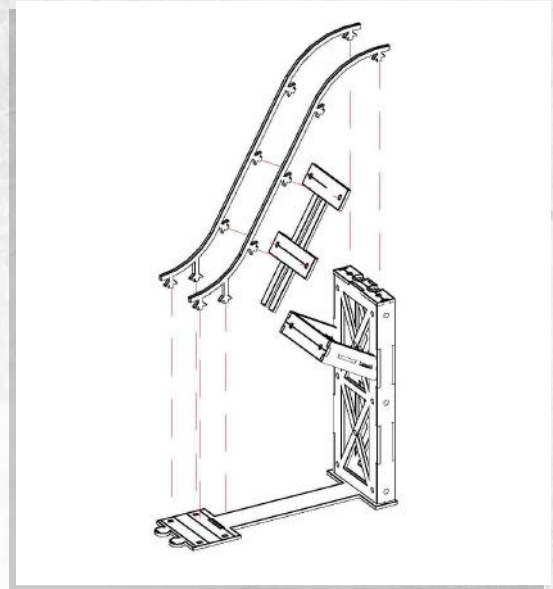
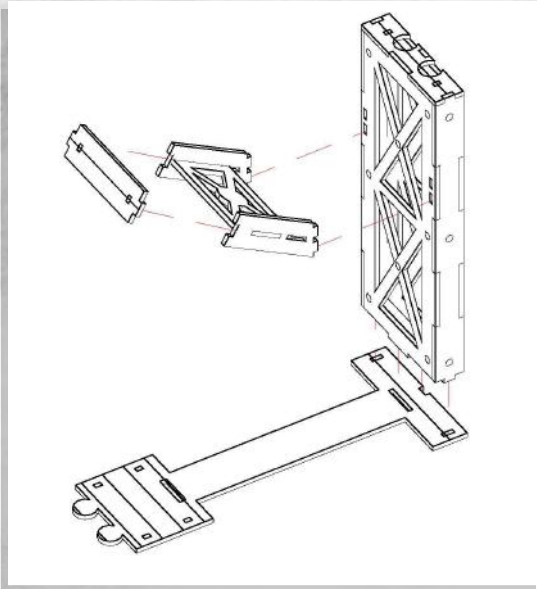




WARCRADLETM
SCENICS

Funland - Rollercoaster - Assembly Guide

Parts may need careful removal from the MDF boards with a scalpel, and light sanding of any rough edges. We recommend testing assembling sections before permanently gluing together.



WARCRADLETM
STUDIOS

WARCRADLE STUDIOS IS A TRADING NAME OF WAYLAND GAMES LIMITED.

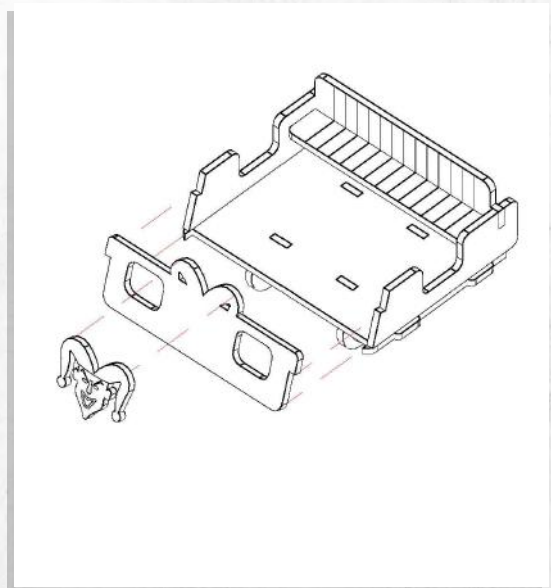
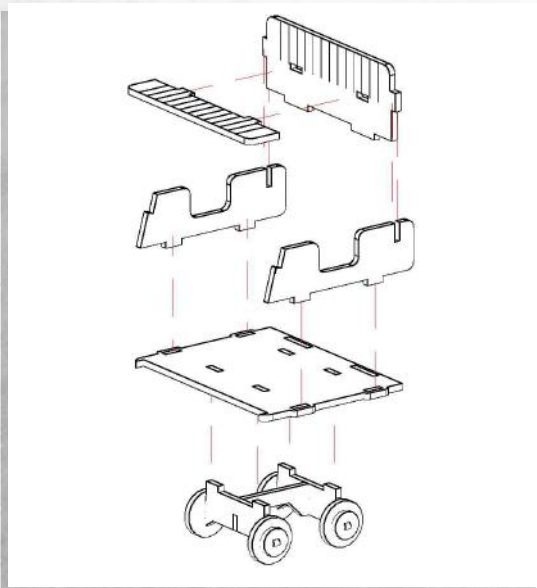
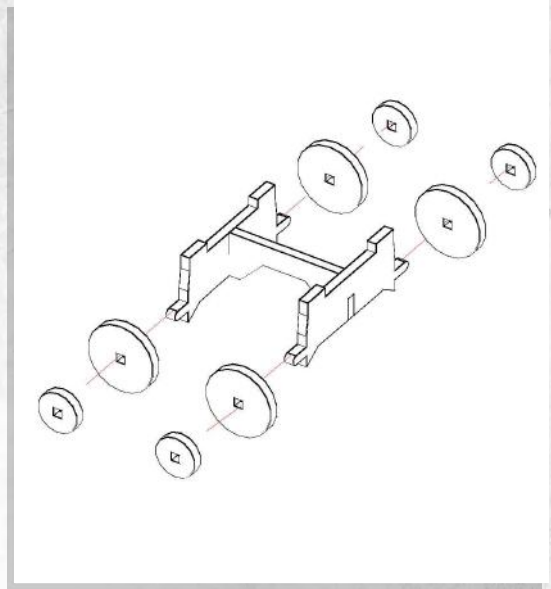
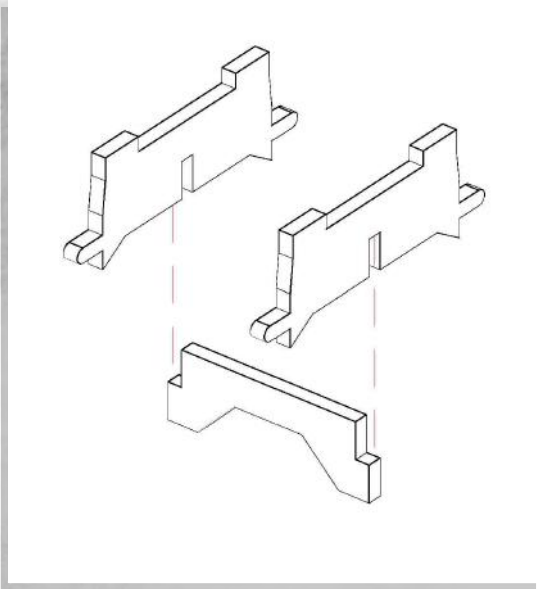
ILLUSTRATIONS AND DESIGNS ARE COPYRIGHT © 2019 WAYLAND GAMES LIMITED. ASSEMBLED IN THE UK.



WARCRADLETM
SCENICS

Funland - Rollercoaster - Assembly Guide

Parts may need careful removal from the MDF boards with a scalpel, and light sanding of any rough edges. We recommend testing assembling sections before permanently gluing together.

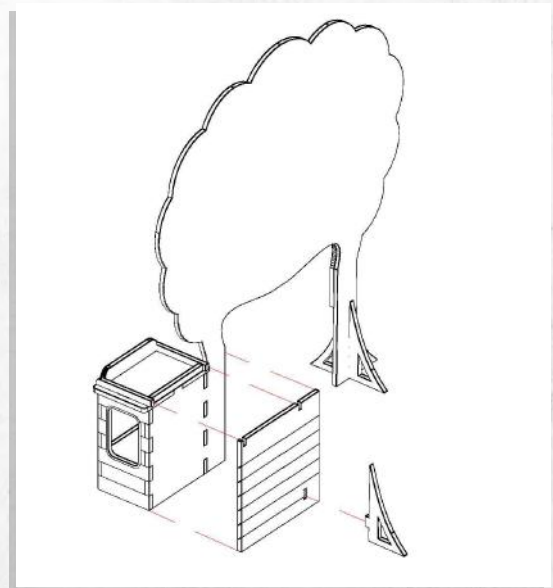
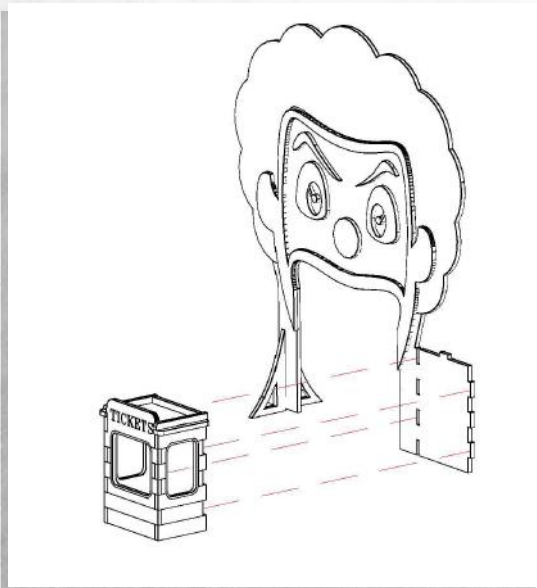
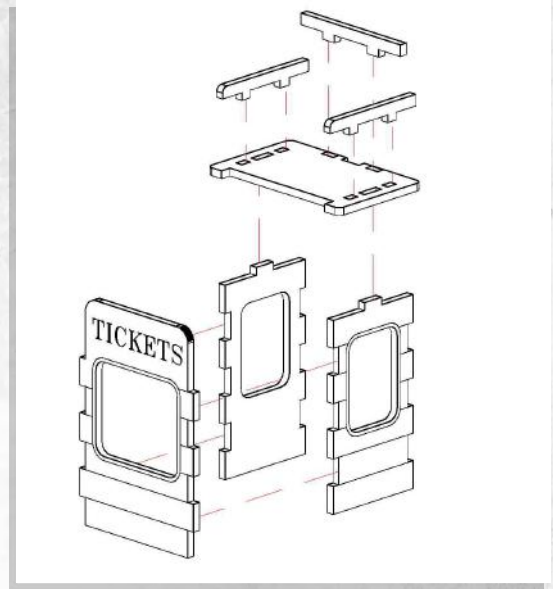
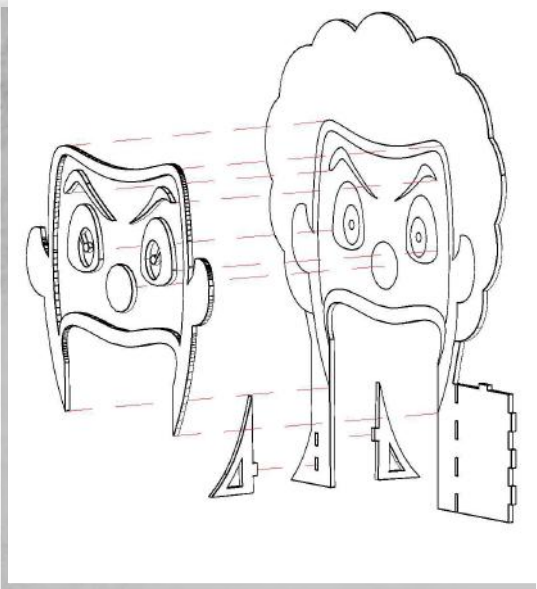




WARCRADLETM
SCENICS

Funland - Rollercoaster - Assembly Guide

Parts may need careful removal from the MDF boards with a scalpel, and light sanding of any rough edges. We recommend testing assembling sections before permanently gluing together.



WARCRADLETM
STUDIOS

WARCRADLE STUDIOS IS A TRADING NAME OF WAYLAND GAMES LIMITED.

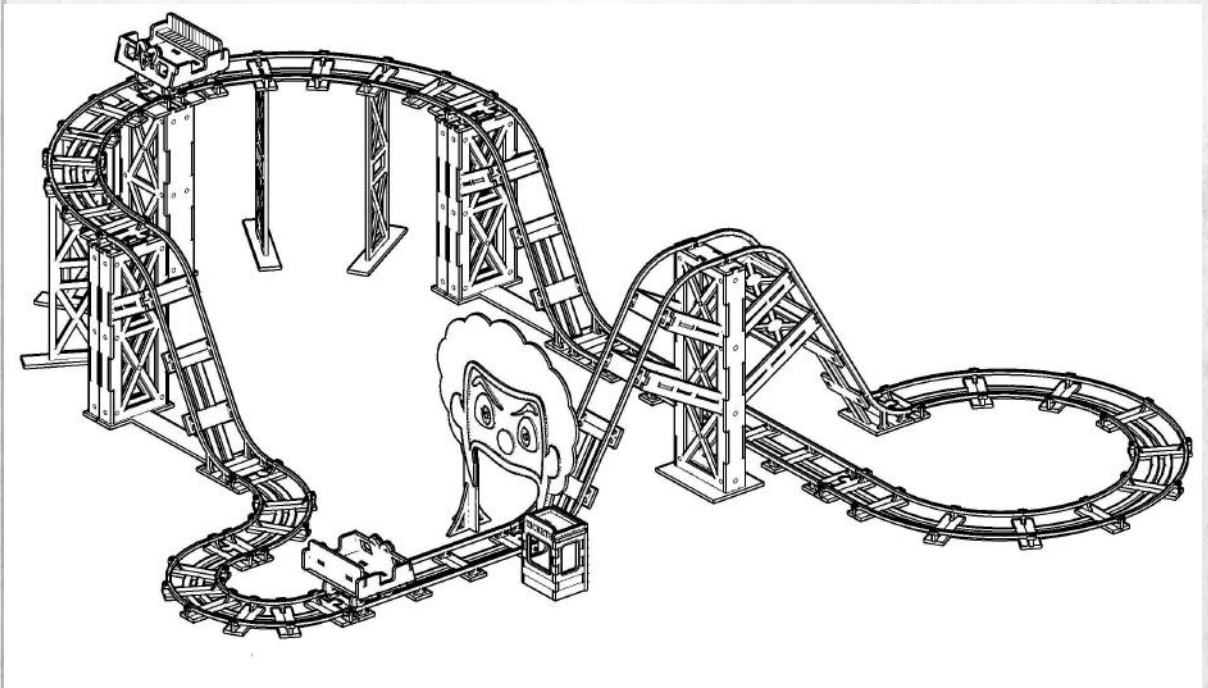
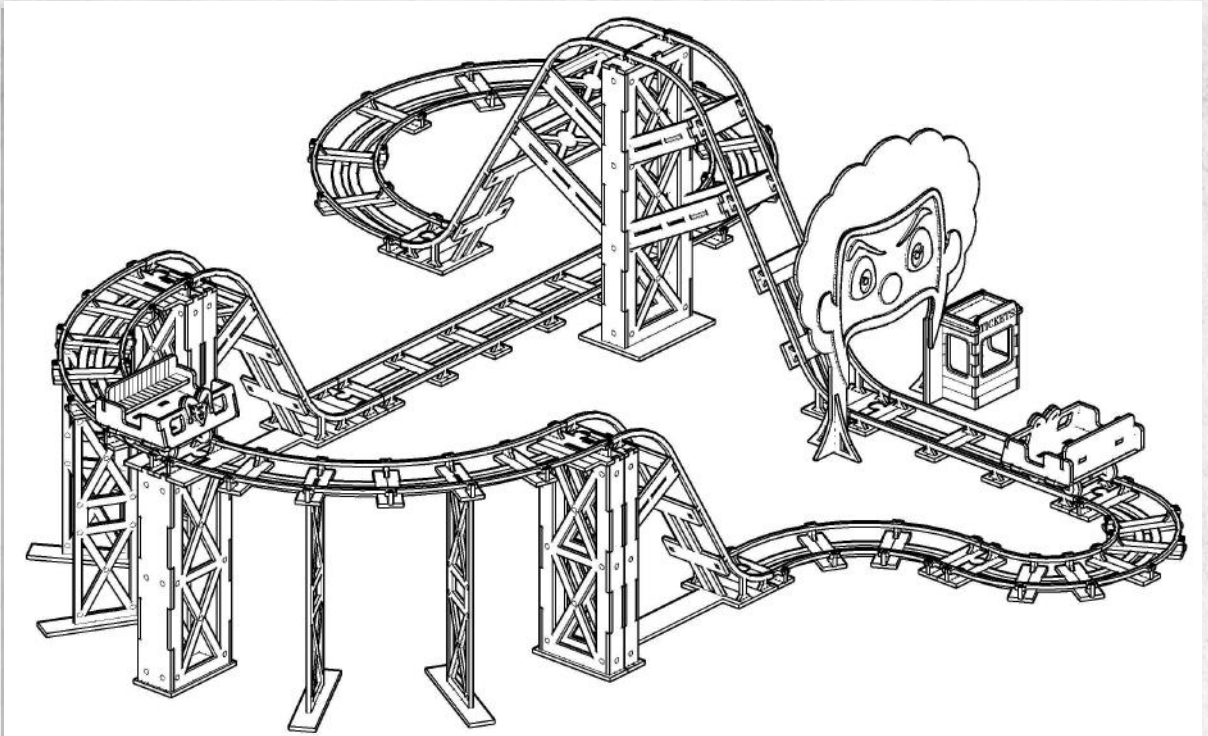
ILLUSTRATIONS AND DESIGNS ARE COPYRIGHT © 2019 WAYLAND GAMES LIMITED. ASSEMBLED IN THE UK.



WARCRADLETM
SCENICS

Funland - Rollercoaster - Assembly Guide

Parts may need careful removal from the MDF boards with a scalpel, and light sanding of any rough edges. We recommend testing assembling sections before permanently gluing together.



WARCRADLETM
STUDIOS

WARCRADLE STUDIOS IS A TRADING NAME OF WAYLAND GAMES LIMITED.

ILLUSTRATIONS AND DESIGNS ARE COPYRIGHT © 2019 WAYLAND GAMES LIMITED. ASSEMBLED IN THE UK.