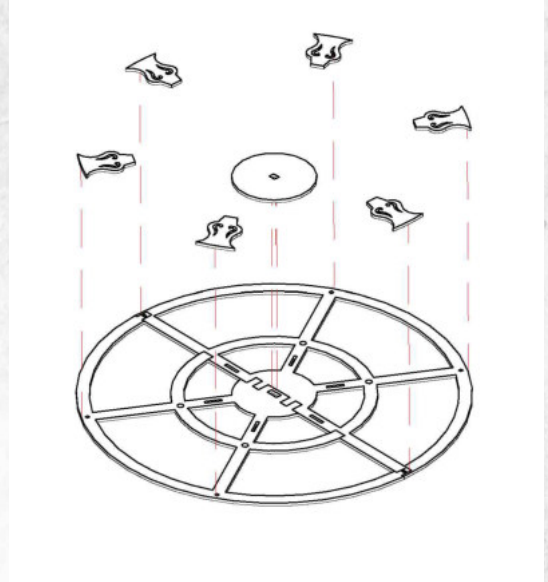
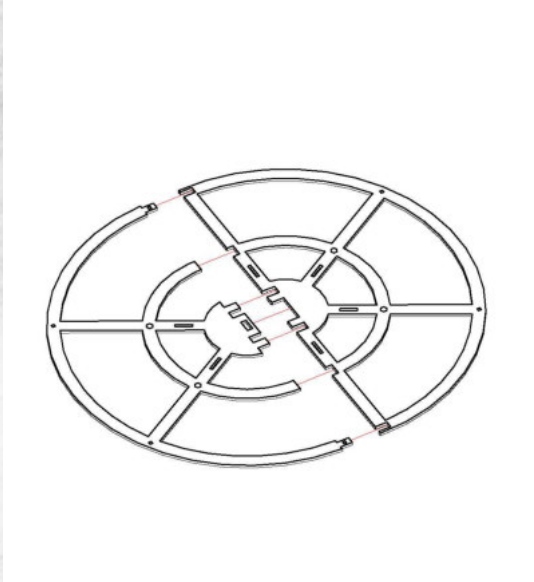
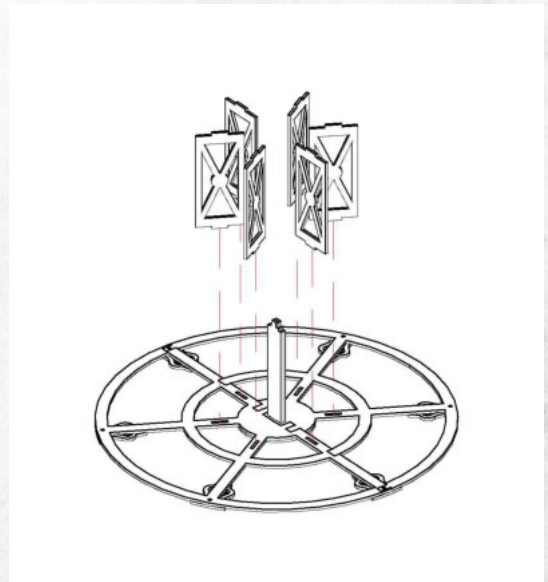
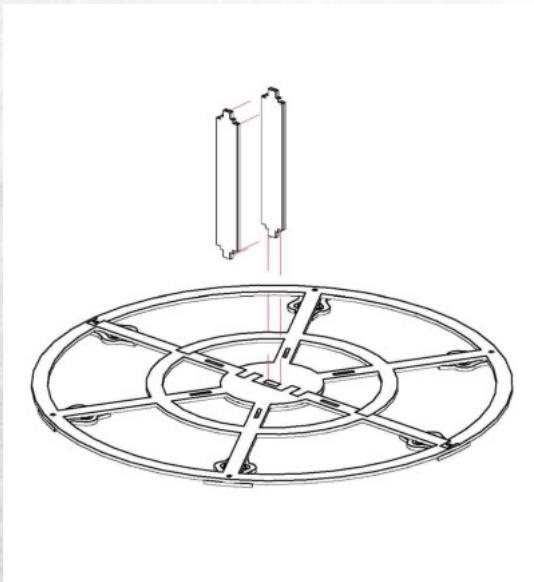




WARCRADLETM SCENICS

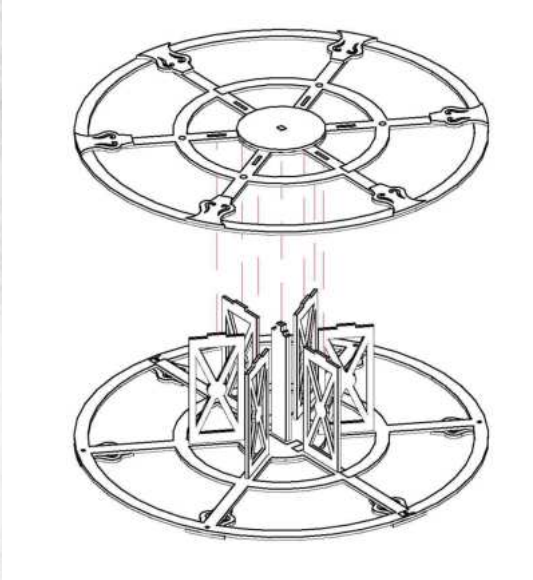


NOTE: Repeat these steps for both sides of the Ferris Wheel

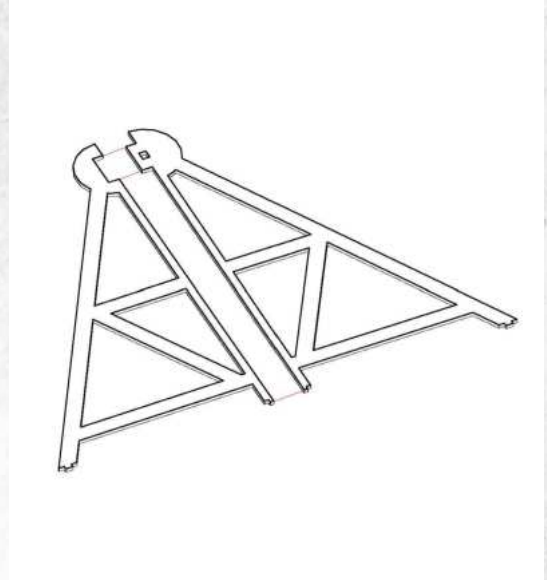




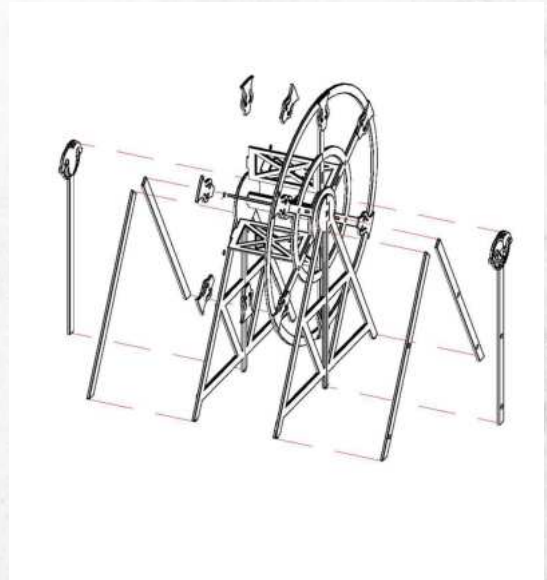
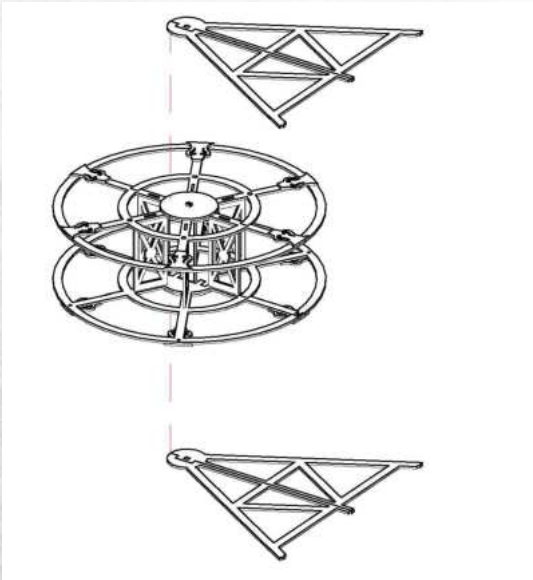
WARCRADLETM SCENICS



NOTE: Make sure the details and central circle are facing outwards from both sides.
Be careful lining up the pieces

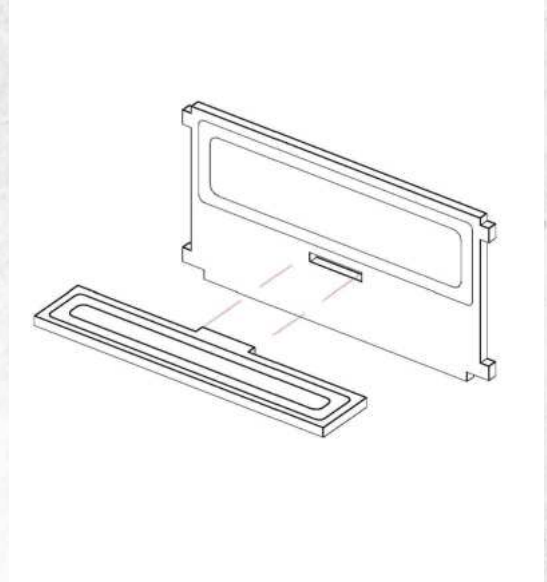
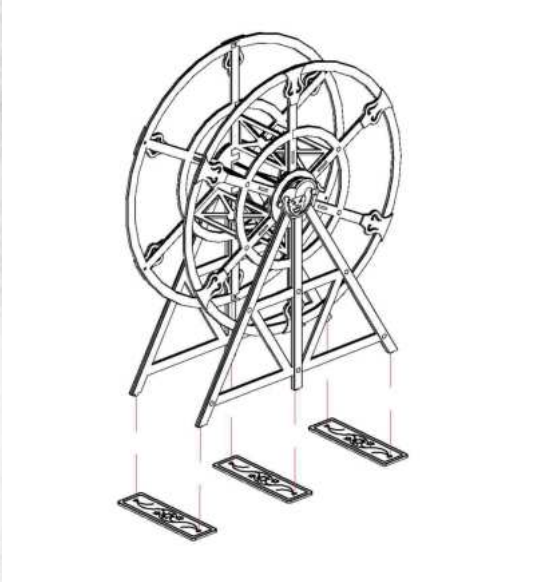


NOTE: Repeat this step for both sides

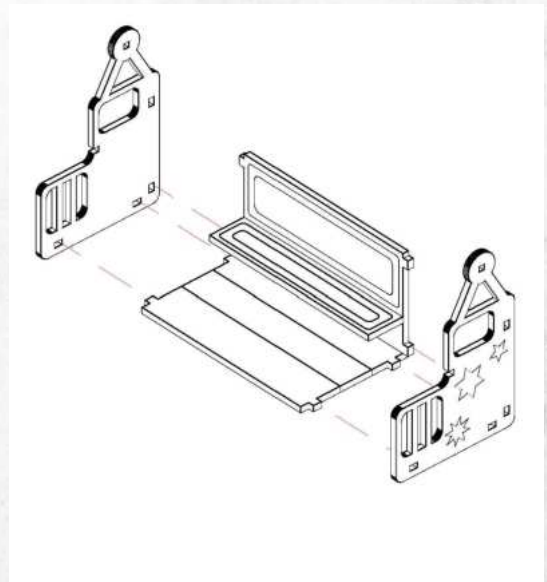




WARCRADLETM SCENICS

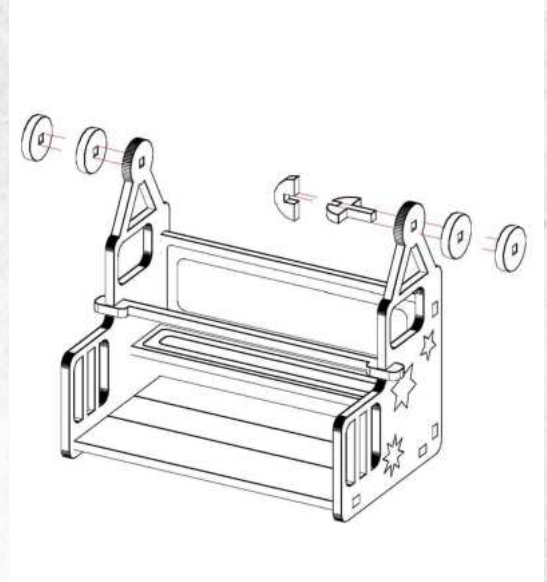
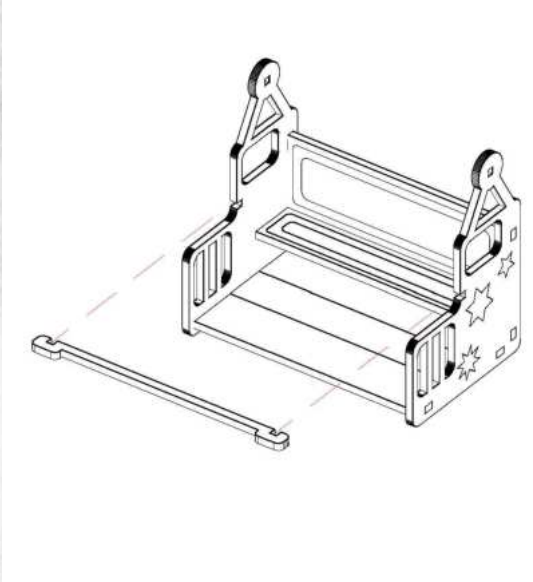


NOTE: The following steps are for the assembly of all six carriages.

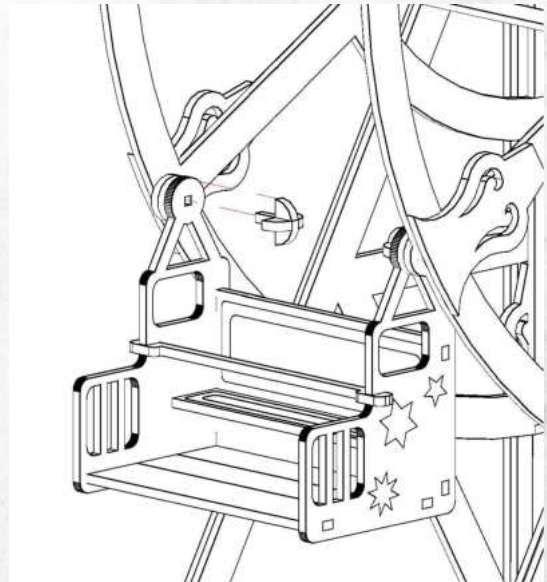
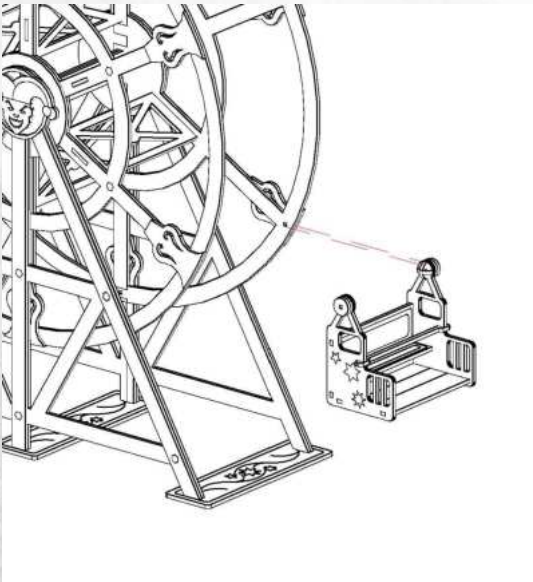




WARCRADLETM SCENICS



NOTE: Only glue one screw in place on one side of each carriage.



NOTE: Use the screw that's glued in place to line up the placement of the carriage, then glue another screw into the other side of the carriage to fix it in place. Repeat these two steps for all six carriages

