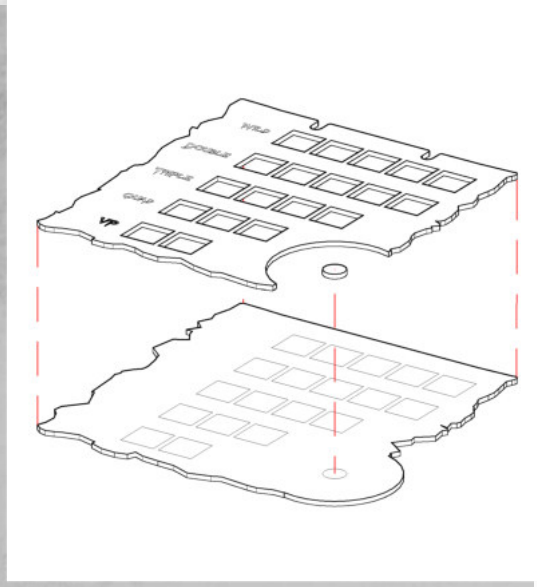


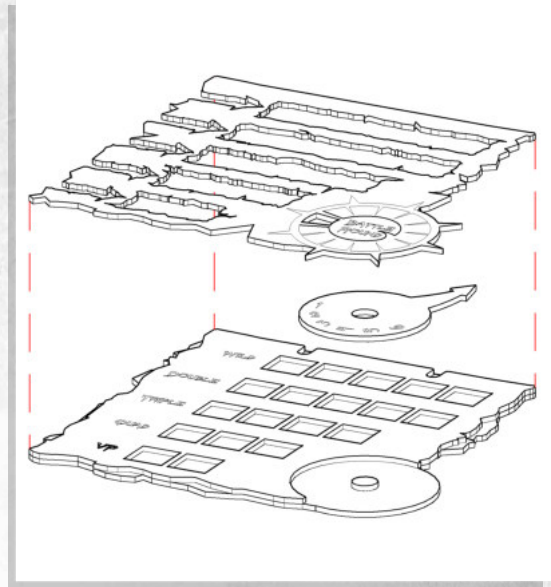


Battlecry - Wartracker - Assembly Guide

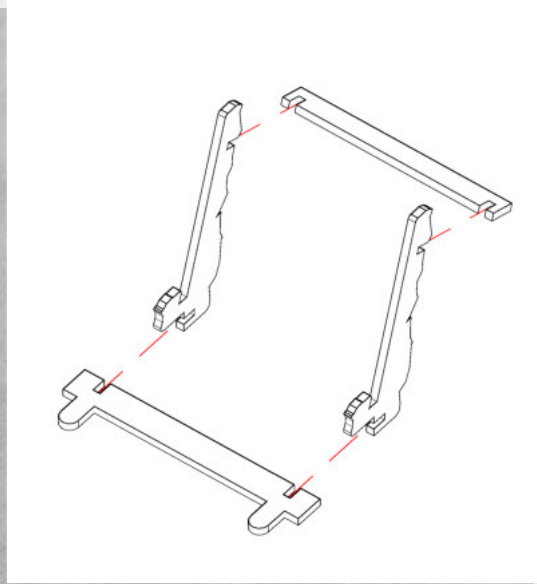
Parts may need careful removal from the MDF boards with a scalpel, and light sanding of any rough edges. We recommend testing assembling sections before permanently gluing together.



NOTE: Leave parts as recieved for 12mm dice. For 16mm dice pop-out the spacers.



NOTE: Ensure the dial is untouched by glue.



NOTE: DO NOT GLUE.

