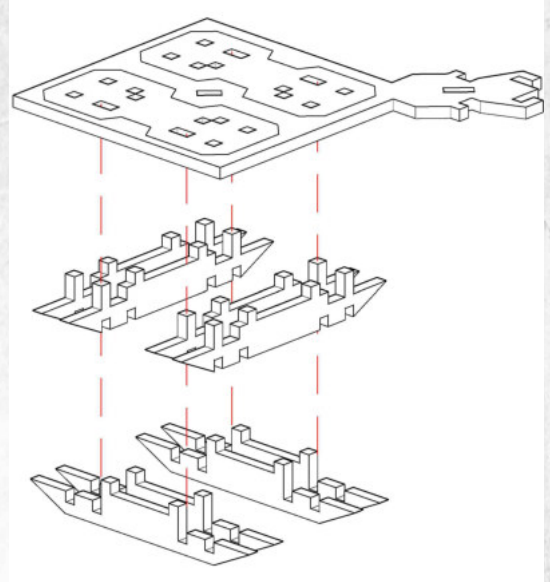
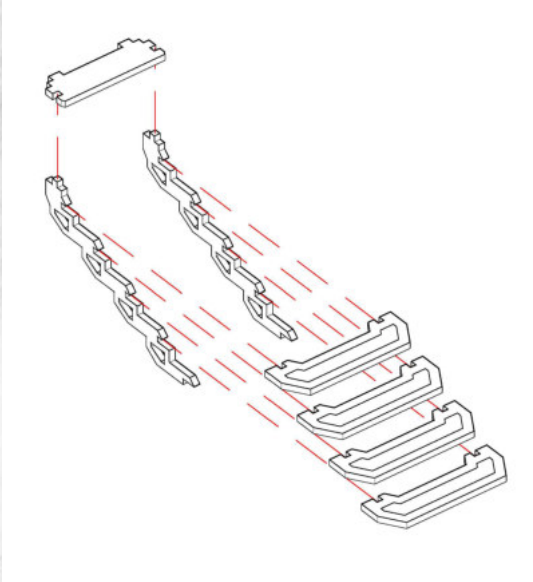


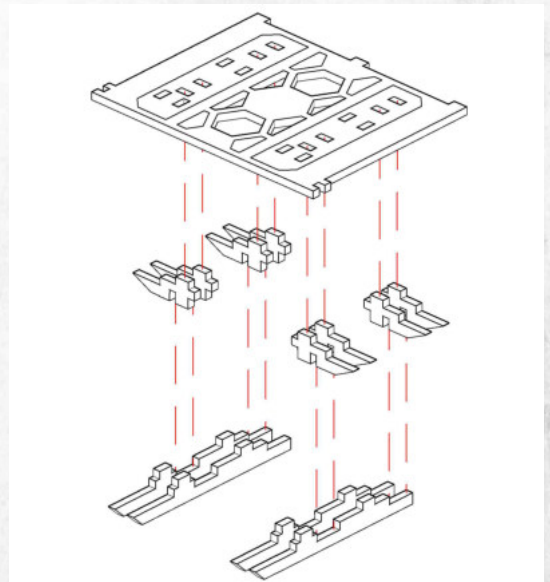
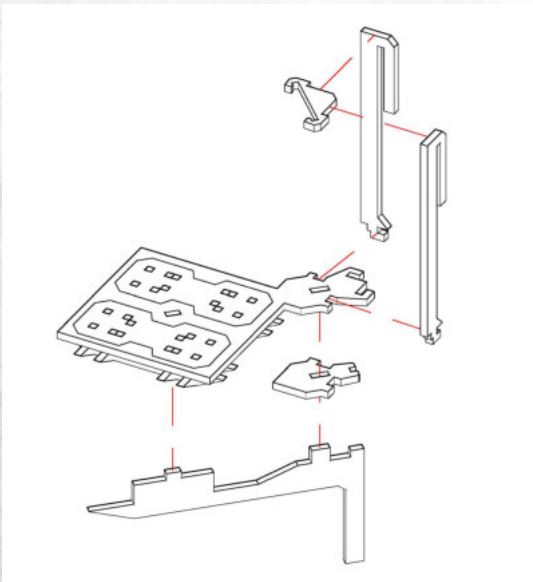


Tech City - Staircase - Assembly Guide

Parts may need careful removal from the MDF boards with a scalpel, and light sanding of any rough edges. We recommend testing assembling sections before permanently gluing together.



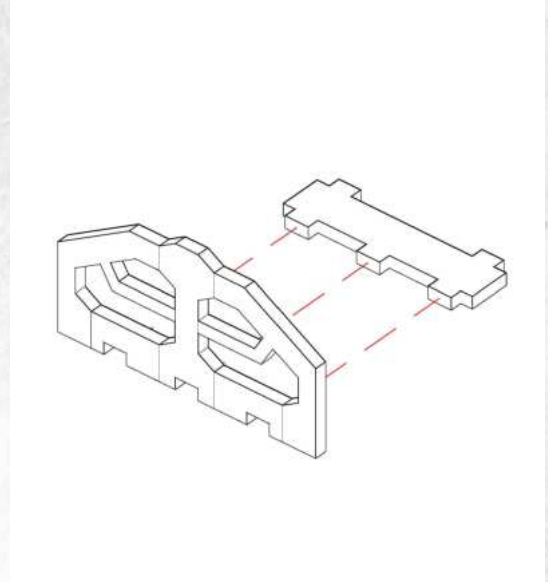
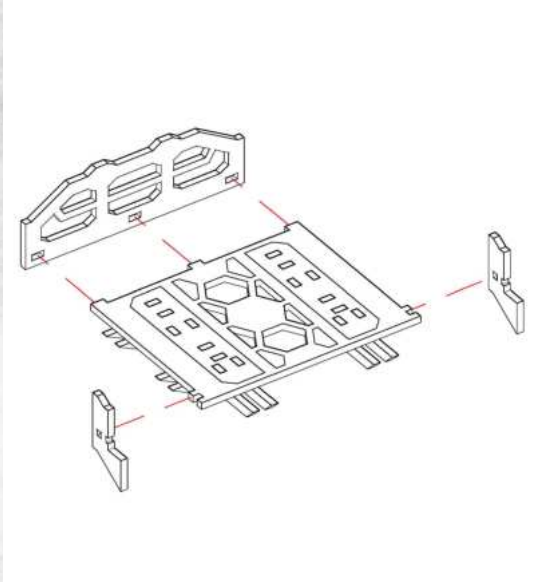
NOTE: Repeat for all stair flights.



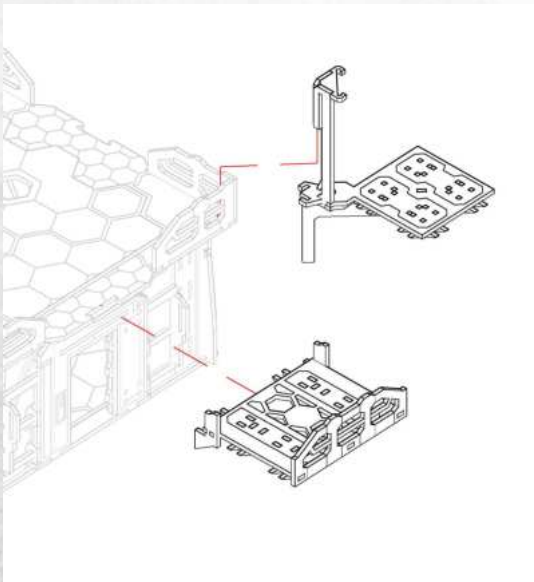


Tech City - Staircase - Assembly Guide

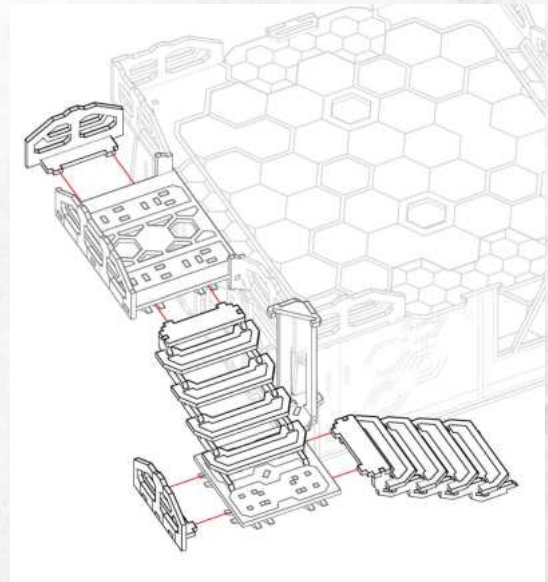
Parts may need careful removal from the MDF boards with a scalpel, and light sanding of any rough edges. We recommend testing assembling sections before permanently gluing together.



NOTE: Repeat for all barriers.



NOTE: Install landings as shown,
(This works with all Tech City Buildings)



NOTE: Use barriers and stair flights
to customise the terrain.