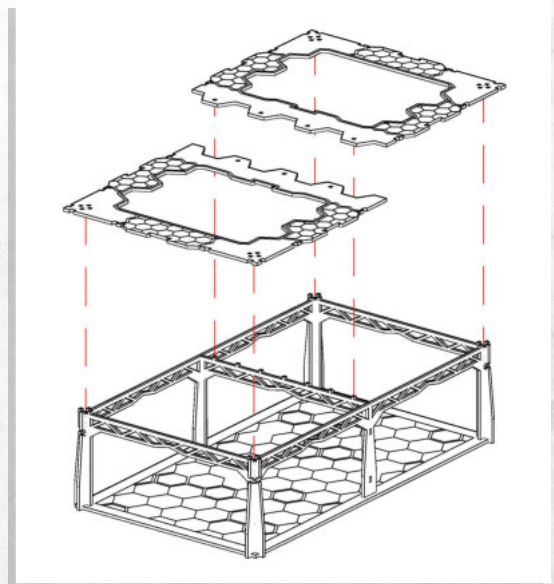
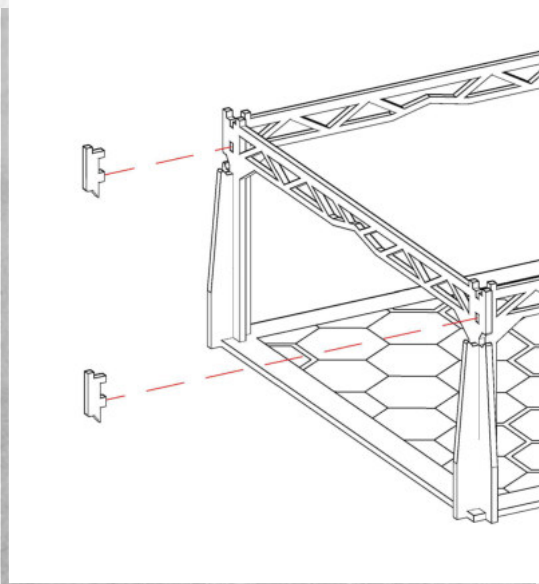
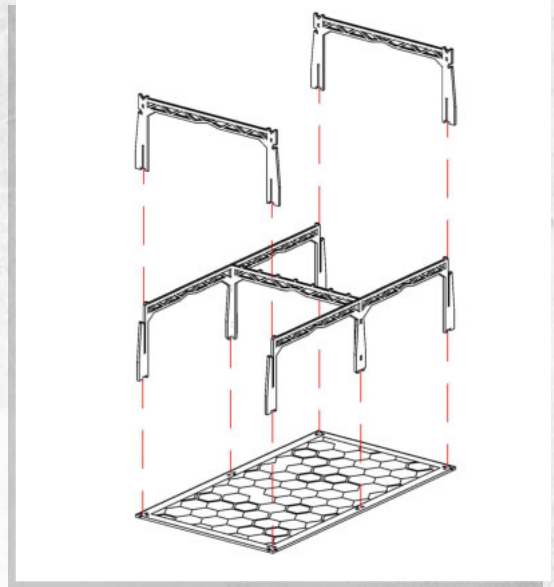
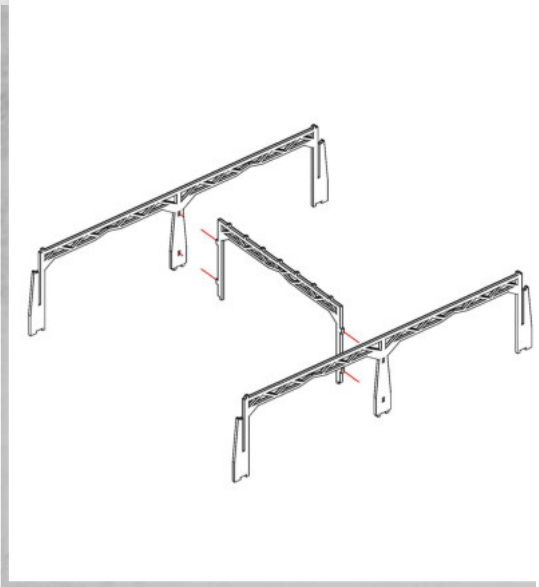




Tech City - Large H.A.B. - Assembly Guide

Parts may need careful removal from the MDF boards with a scalpel, and light sanding of any rough edges. We recommend testing assembling sections before permanently gluing together.



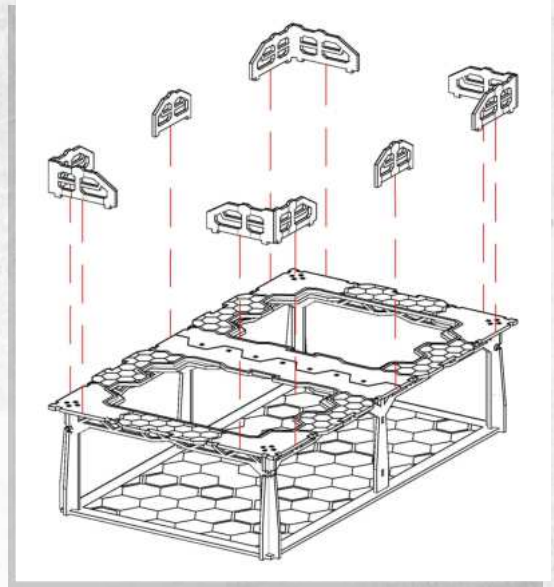
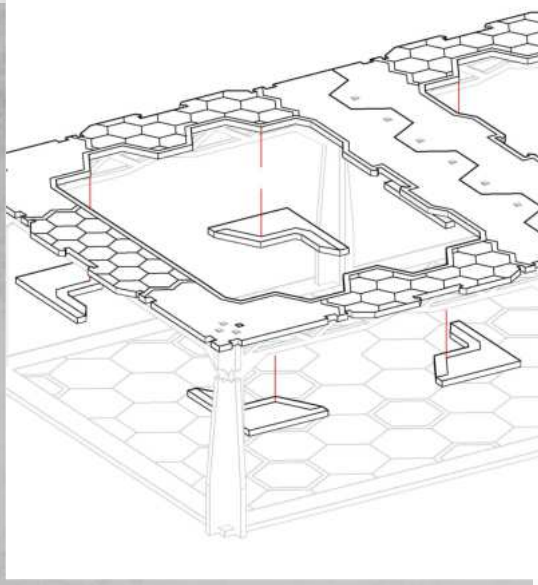
NOTE: Repeat for the opposite side.



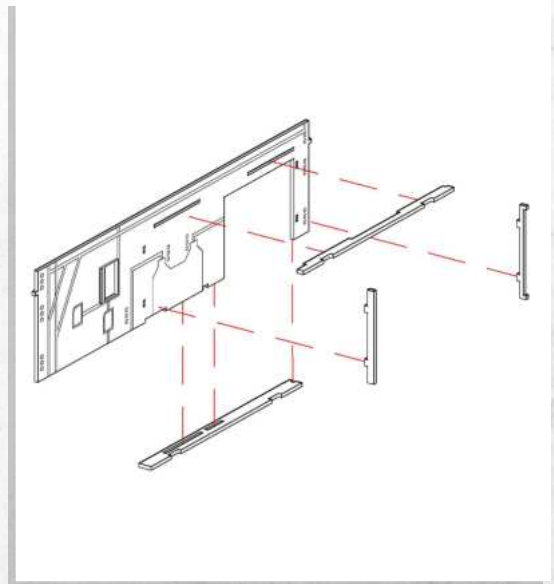
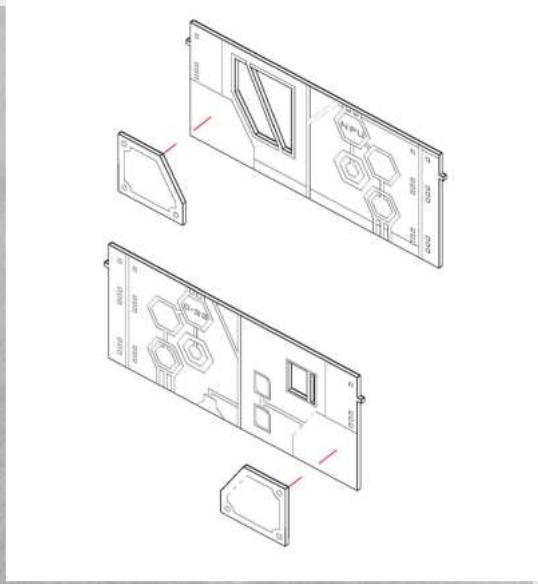


Tech City - Large H.A.B. - Assembly Guide

Parts may need careful removal from the MDF boards with a scalpel, and light sanding of any rough edges. We recommend testing assembling sections before permanently gluing together.



NOTE: Repeat for the opposite side.



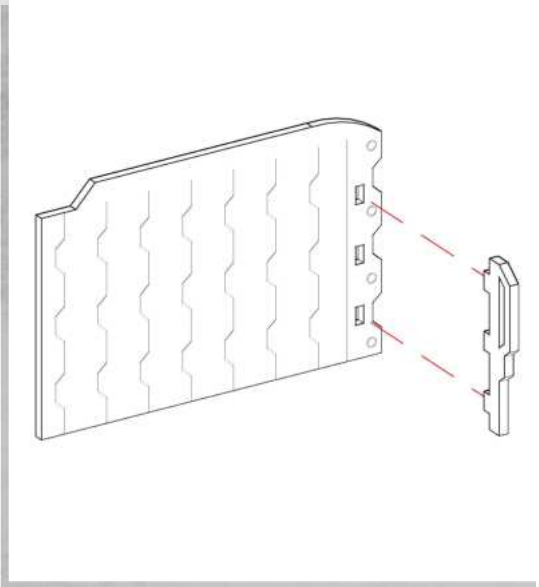
NOTE: Repeat for second door.



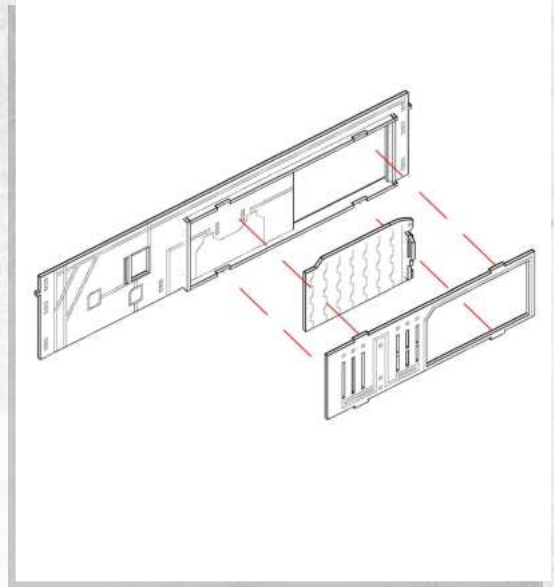


Tech City - Large H.A.B. - Assembly Guide

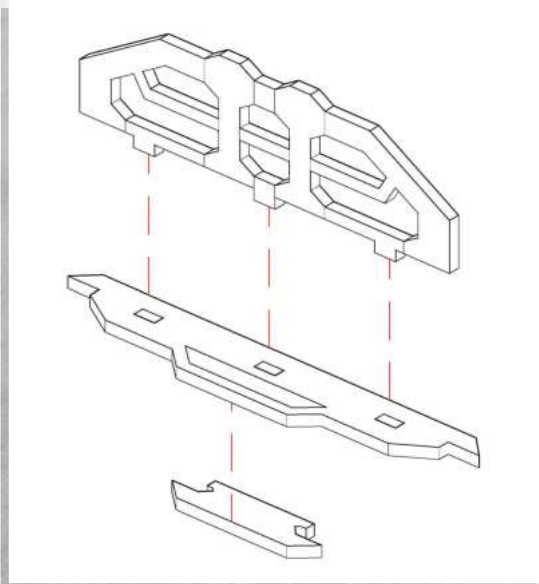
Parts may need careful removal from the MDF boards with a scalpel, and light sanding of any rough edges. We recommend testing assembling sections before permanently gluing together.



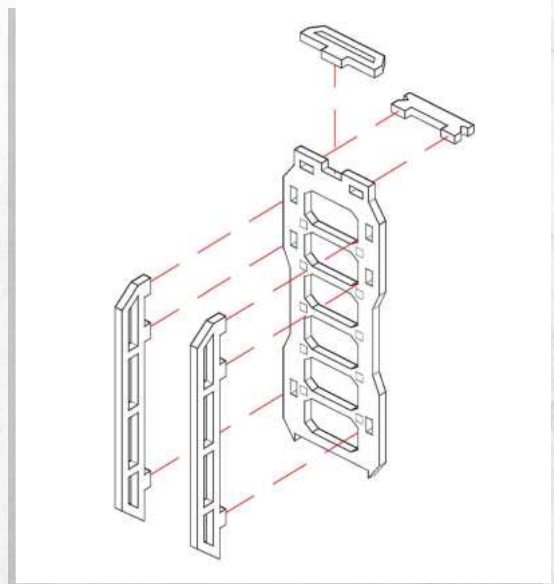
NOTE: Repeat for second door.



NOTE: Repeat for second door.
NOTE: Place the door within the frame (DO NOT GLUE) to allow it to slide.



NOTE: Repeat for all barriers.

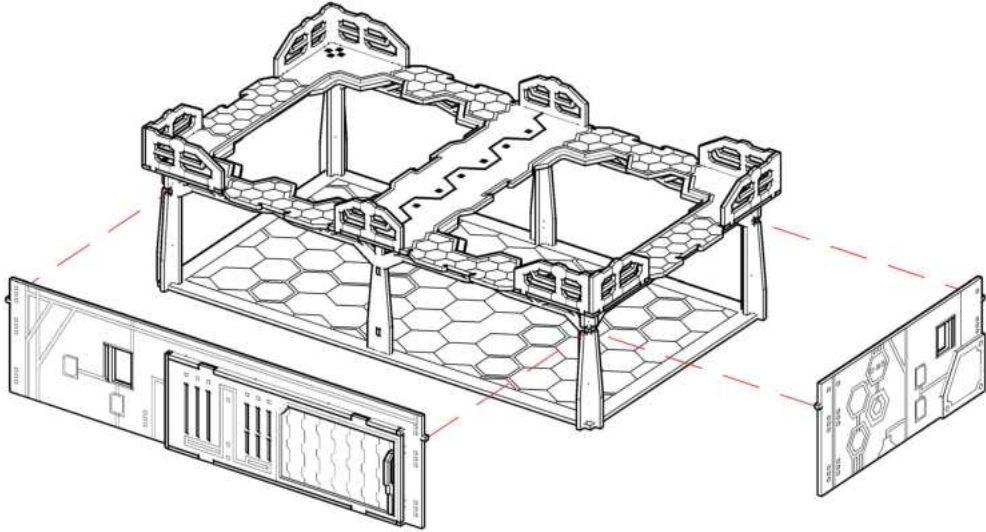


NOTE: Repeat for all ladders.

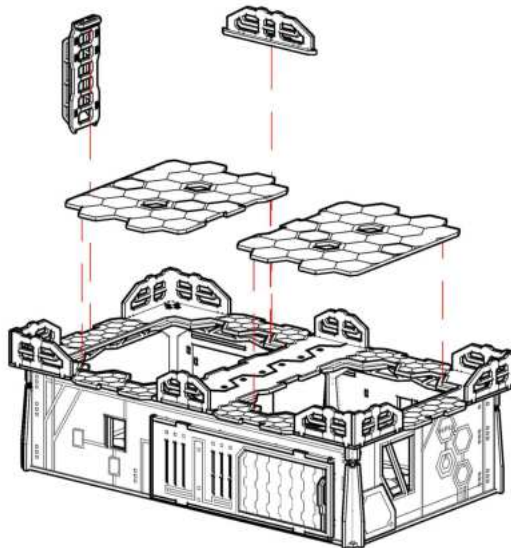


Teeth City--Warehouse--Assembly Guide

Parts may need careful removal from the MDF boards with a scalpel, and light sanding of any rough edges. We recommend testing assembling sections before permanently gluing together.



NOTE: Insert walls (DO NOT GLUE)
where desired.



NOTE: Insert accessories and roof
(DO NOT GLUE).