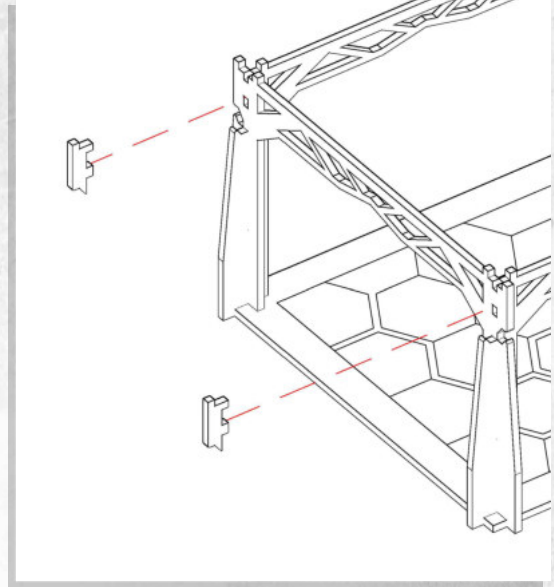
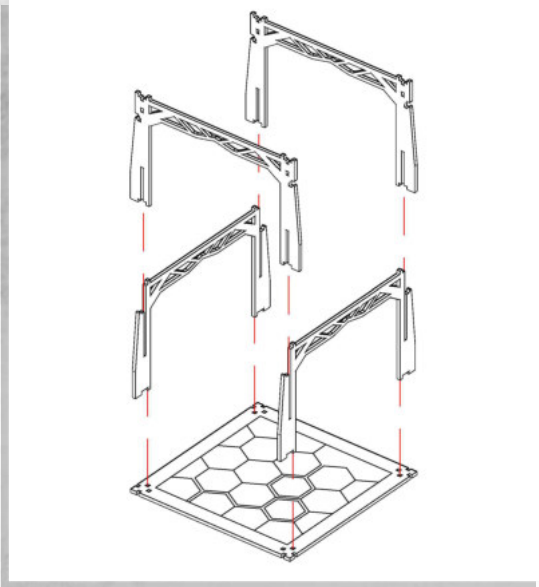


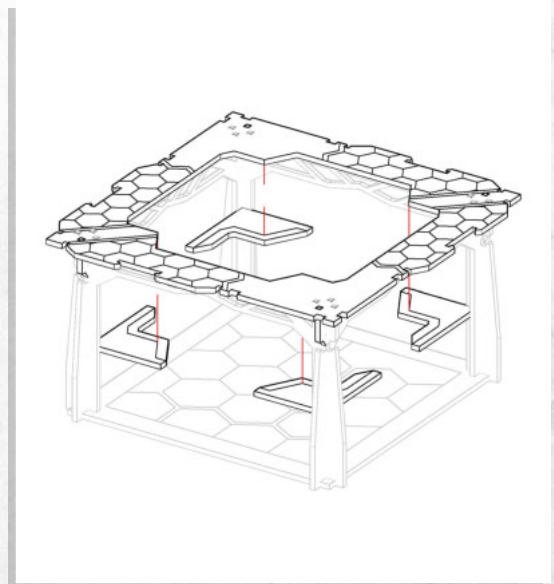
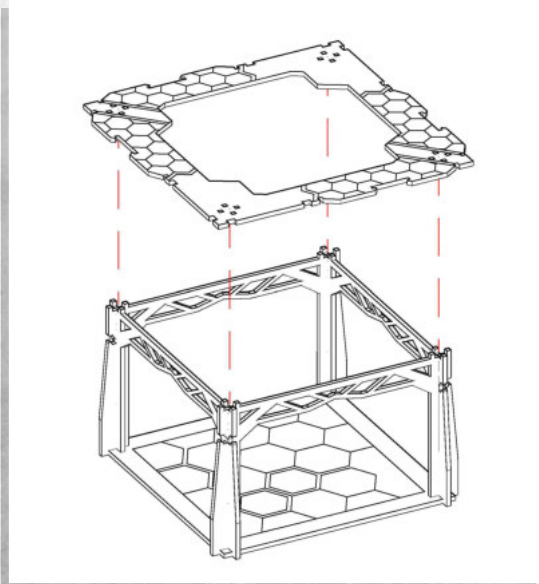


## Tech City - Small H.A.B. - Assembly Guide

Parts may need careful removal from the MDF boards with a scalpel, and light sanding of any rough edges. We recommend testing assembling sections before permanently gluing together.



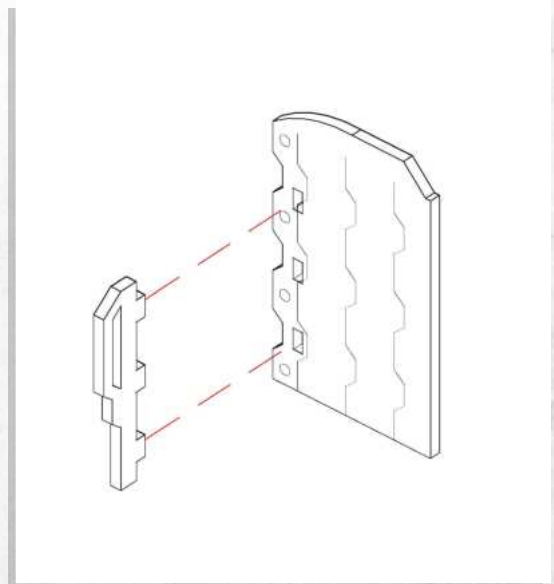
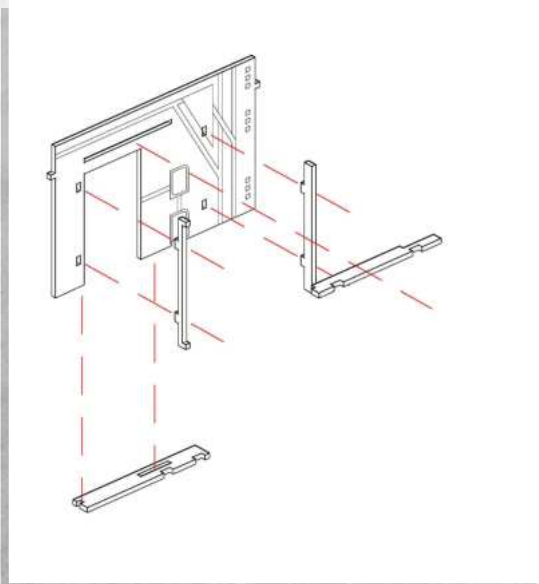
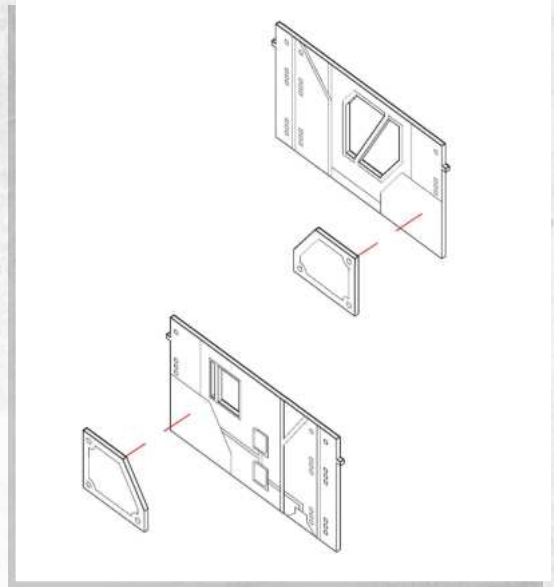
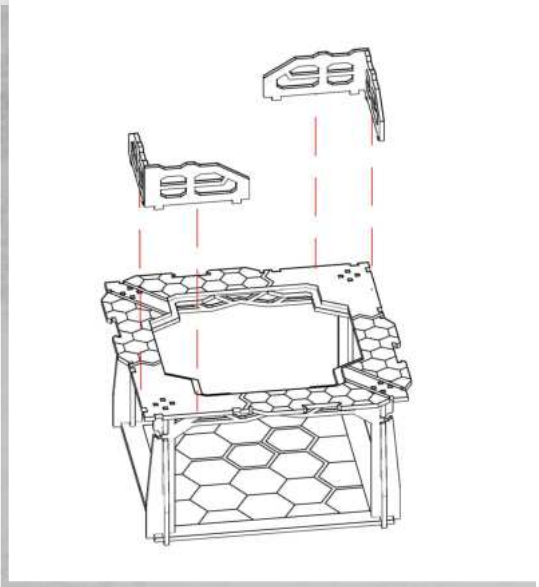
NOTE: Repeat for the opposite side.





## Tech City - Small H.A.B. - Assembly Guide

Parts may need careful removal from the MDF boards with a scalpel, and light sanding of any rough edges. We recommend testing assembling sections before permanently gluing together.



NOTE: Use Parts Labeled 'A'.

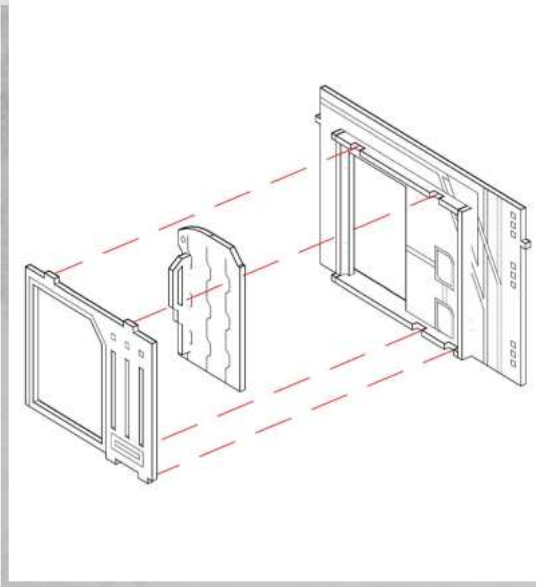
NOTE: Use Parts Labeled 'A'.



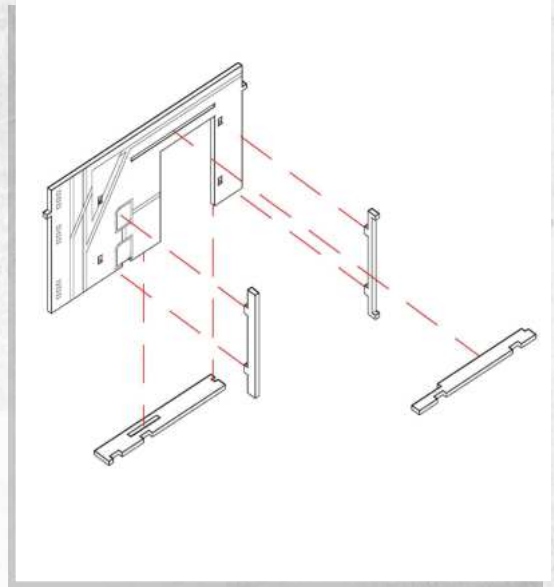


## Tech City - Small H.A.B. - Assembly Guide

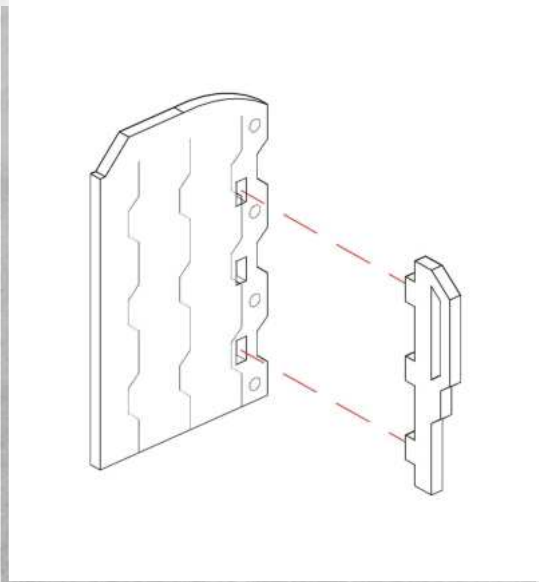
Parts may need careful removal from the MDF boards with a scalpel, and light sanding of any rough edges. We recommend testing assembling sections before permanently gluing together.



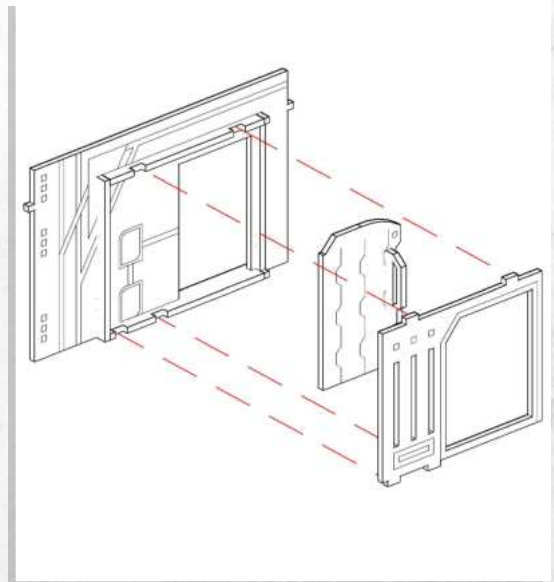
NOTE: Use Parts Labeled 'A'.  
NOTE: Place the door within the frame  
(DO NOT GLUE) to allow it to slide.



NOTE: Use Parts Labeled 'B'.



NOTE: Use Parts Labeled 'B'.



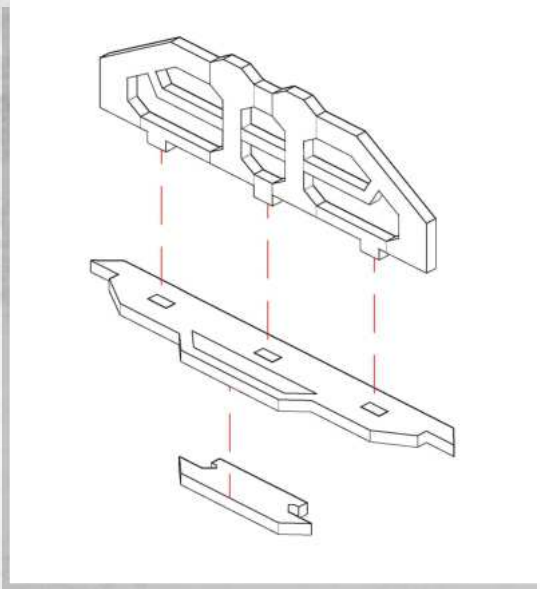
NOTE: Use Parts Labeled 'B'.  
NOTE: Place the door within the frame  
(DO NOT GLUE) to allow it to slide.



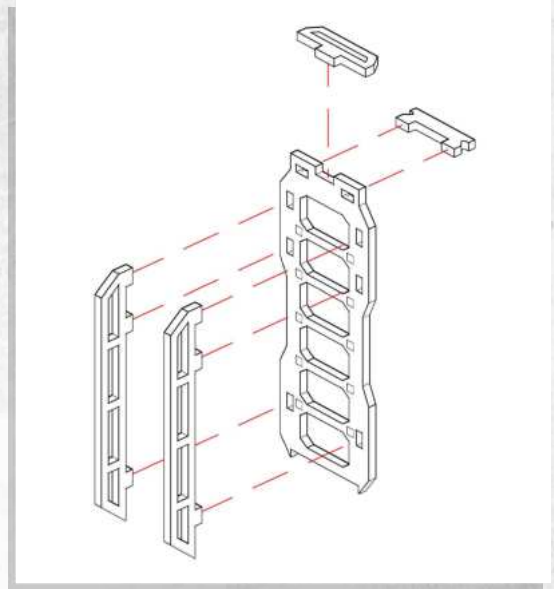


## Tech City - Small H.A.B. - Assembly Guide

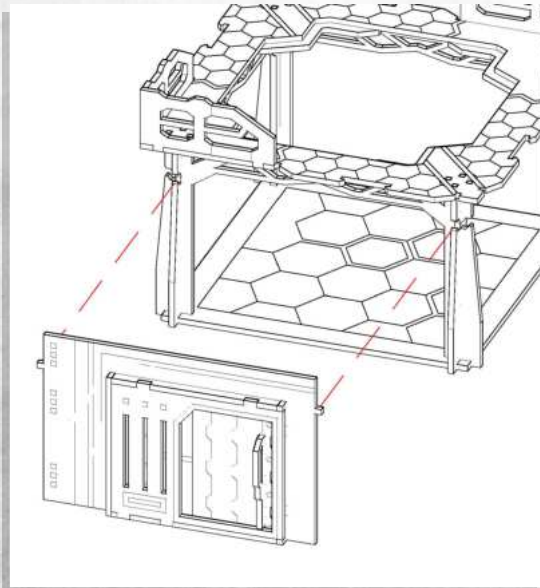
Parts may need careful removal from the MDF boards with a scalpel, and light sanding of any rough edges. We recommend testing assembling sections before permanently gluing together.



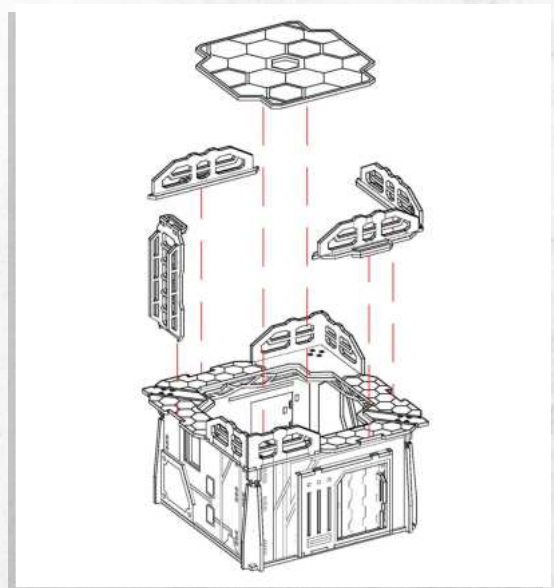
NOTE: Repeat for all barriers.



NOTE: Repeat for all ladders.



NOTE: Insert walls (DO NOT GLUE) where desired.



NOTE: Insert accessories and roof (DO NOT GLUE).

