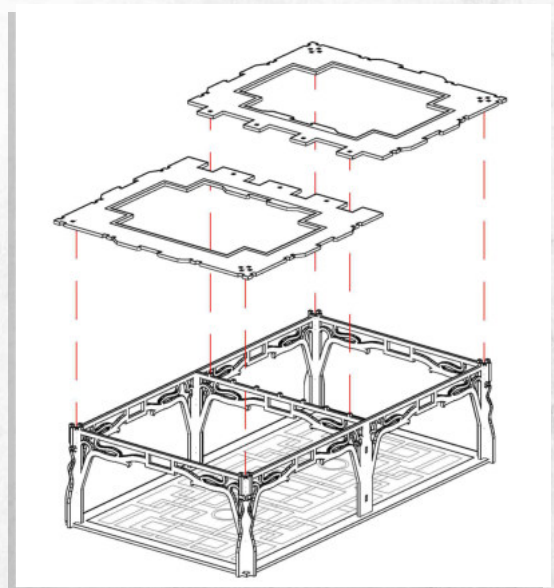
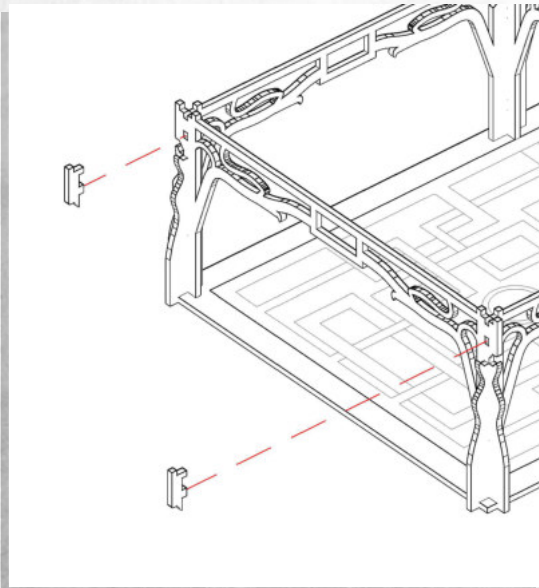
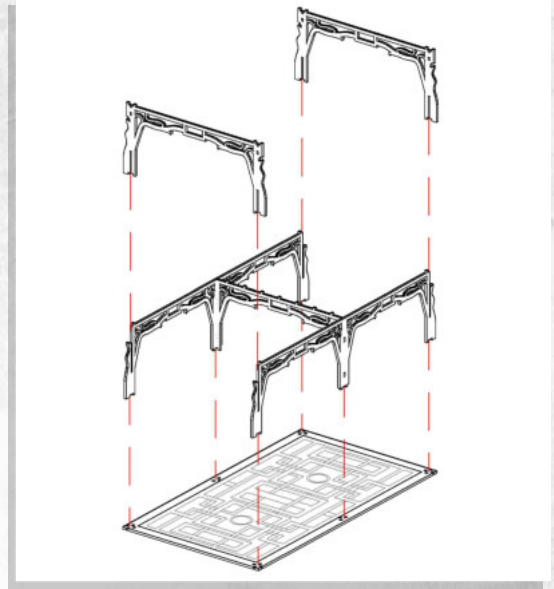
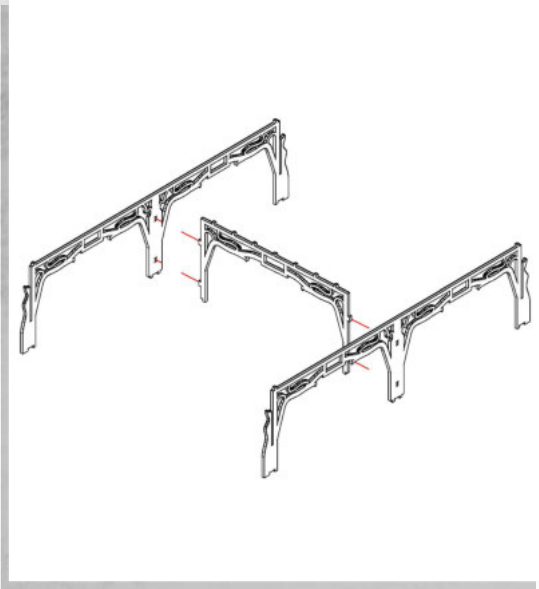




WARCRADLE<sup>TM</sup>  
SCENICS

## New Kyoto - Large H.A.B. - Assembly Guide

Parts may need careful removal from the MDF boards with a scalpel, and light sanding of any rough edges. We recommend testing assembling sections before permanently gluing together.



NOTE: Repeat for the opposite side.



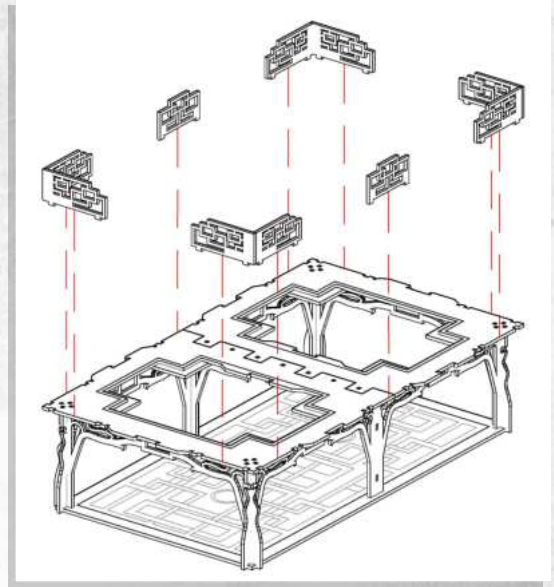
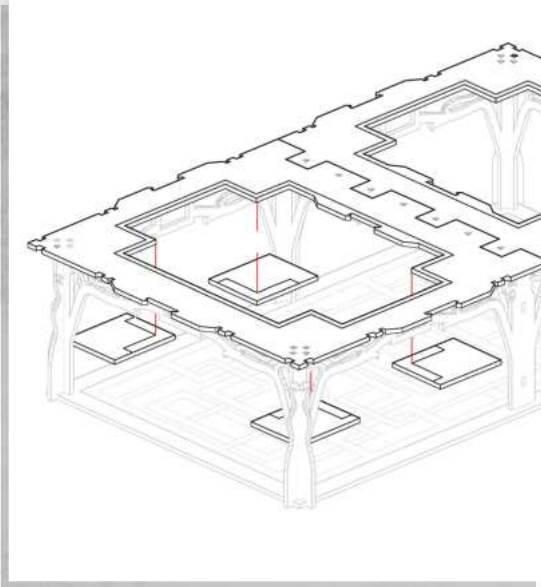
WARCRADLE<sup>TM</sup>  
STUDIOS

WARCRADLE STUDIOS IS A TRADING NAME OF WAYLAND GAMES LIMITED.  
ILLUSTRATIONS AND DESIGNS ARE COPYRIGHT © 2019 WAYLAND GAMES LIMITED. ASSEMBLED IN THE UK.

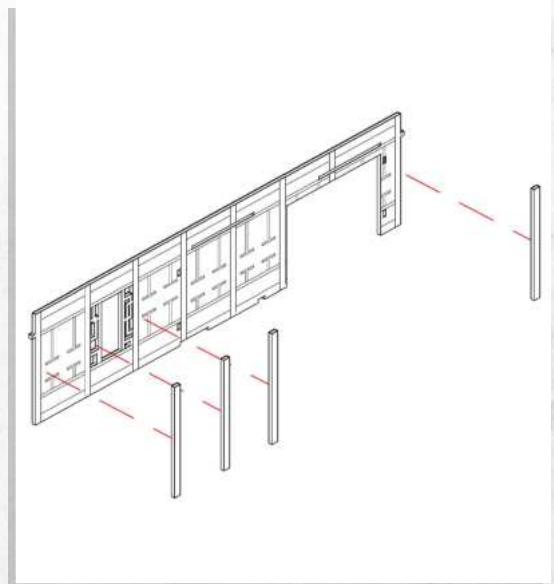
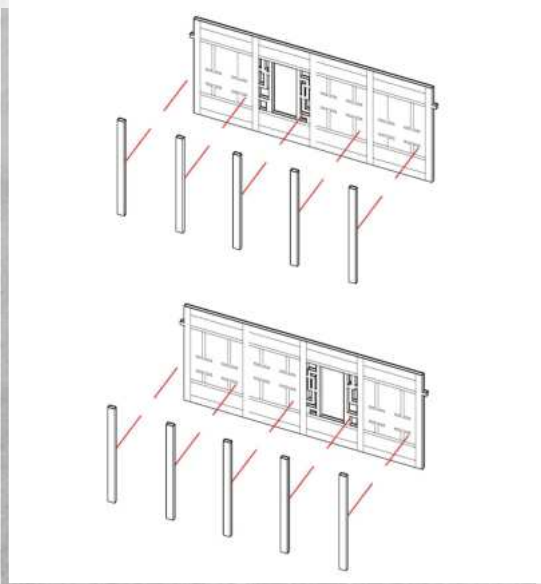


## New Kyoto - Large H.A.B. - Assembly Guide

Parts may need careful removal from the MDF boards with a scalpel, and light sanding of any rough edges. We recommend testing assembling sections before permanently gluing together.



NOTE: Repeat for the opposite side.

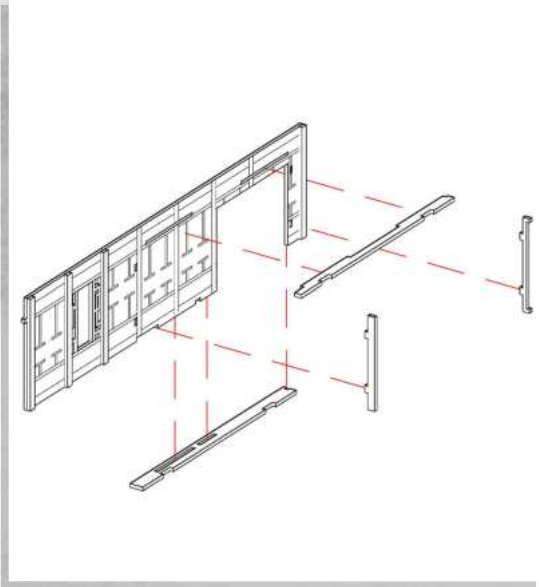


NOTE: Repeat for the second door.

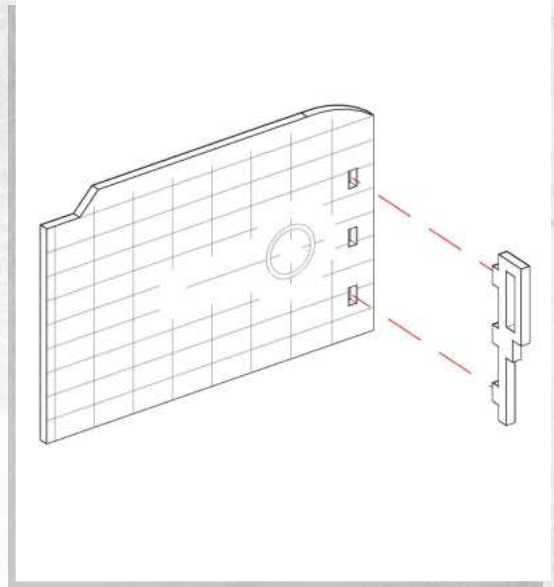


## New Kyoto - Large H.A.B. - Assembly Guide

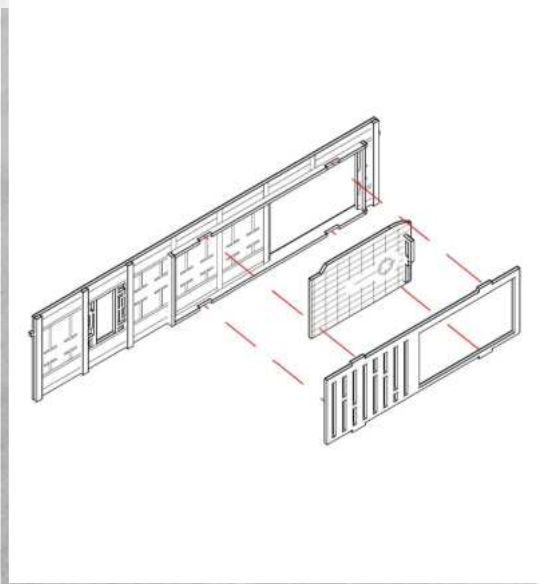
Parts may need careful removal from the MDF boards with a scalpel, and light sanding of any rough edges. We recommend testing assembling sections before permanently gluing together.



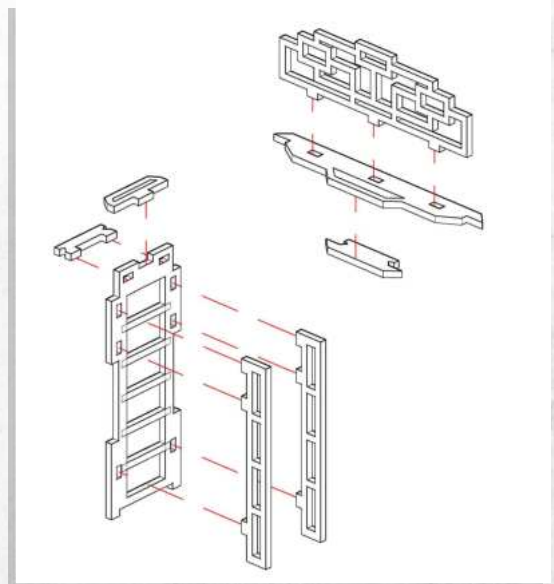
NOTE: Repeat for the second door.



NOTE: Repeat for the second door.



NOTE: Repeat for the second door.  
NOTE: Place the door within the frame  
(DO NOT GLUE) to allow it to slide.



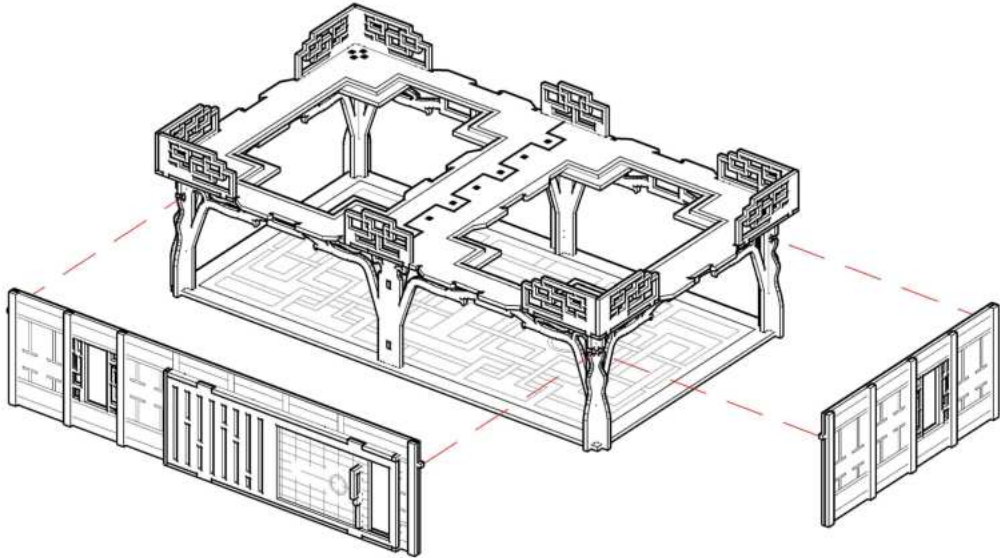
NOTE: Repeat for all ladders and barriers.



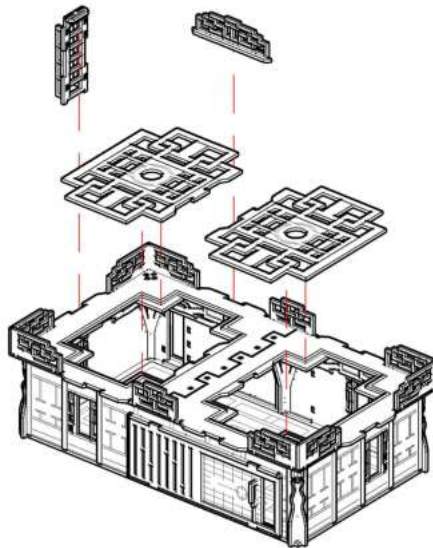


## New Kyoto - Large H.A.B. - Assembly Guide

Parts may need careful removal from the MDF boards with a scalpel, and light sanding of any rough edges. We recommend testing assembling sections before permanently gluing together.



NOTE: Insert walls (DO NOT GLUE)  
where desired.



NOTE: Insert accessories and roof  
(DO NOT GLUE).