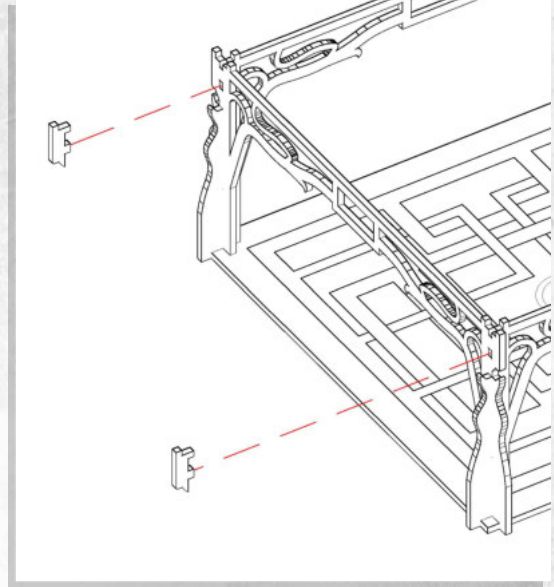
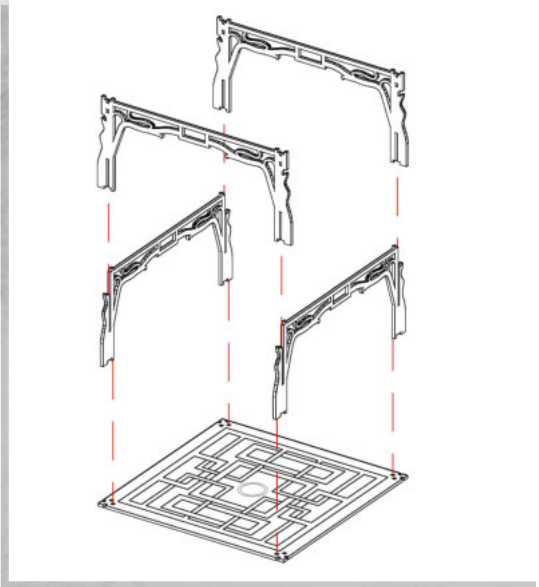


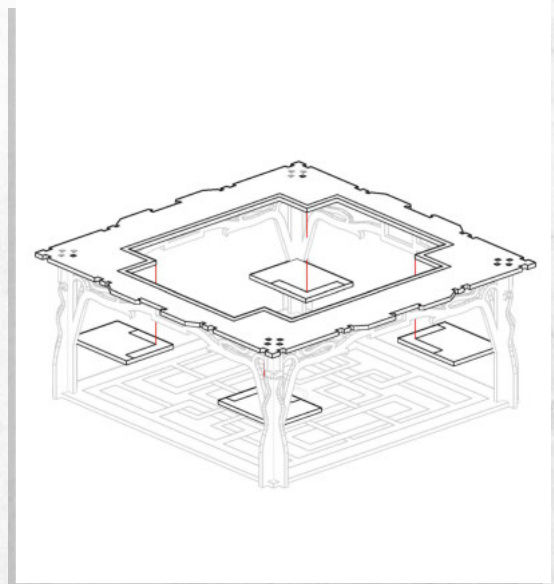
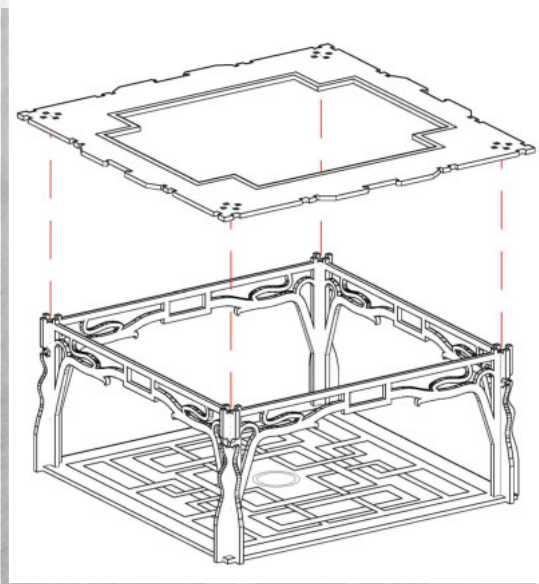


New Kyoto - Medium H.A.B. - Assembly Guide

Parts may need careful removal from the MDF boards with a scalpel, and light sanding of any rough edges. We recommend testing assembling sections before permanently gluing together.



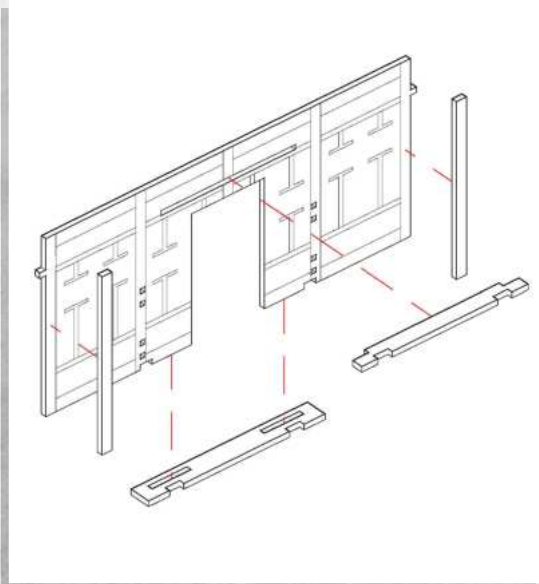
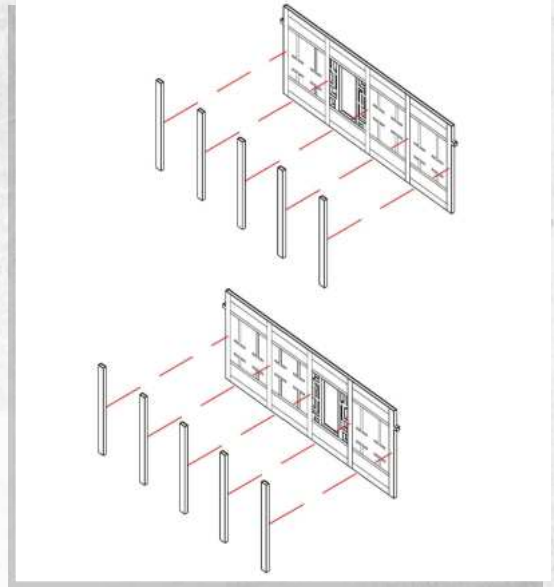
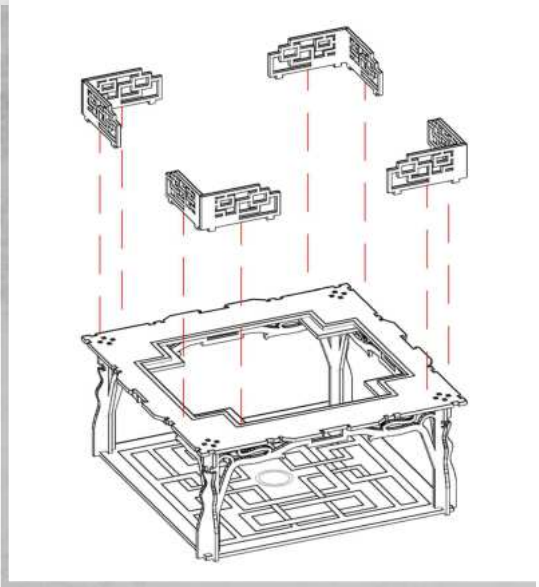
NOTE: Repeat for the opposite side.



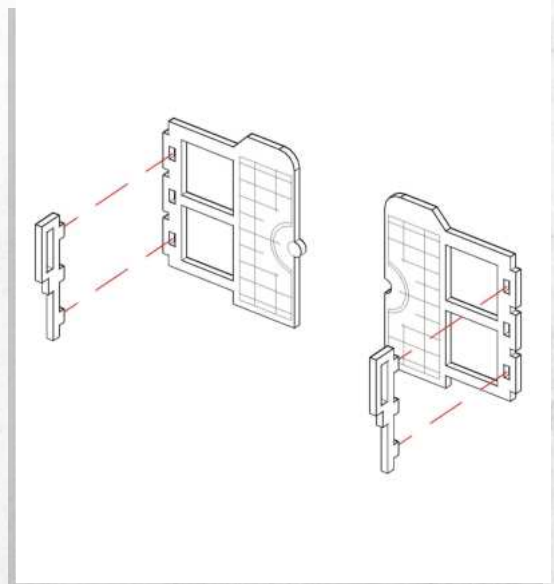


New Kyoto - Medium H.A.B. - Assembly Guide

Parts may need careful removal from the MDF boards with a scalpel, and light sanding of any rough edges. We recommend testing assembling sections before permanently gluing together.



NOTE: Repeat for the second door.



NOTE: Repeat for the second door.

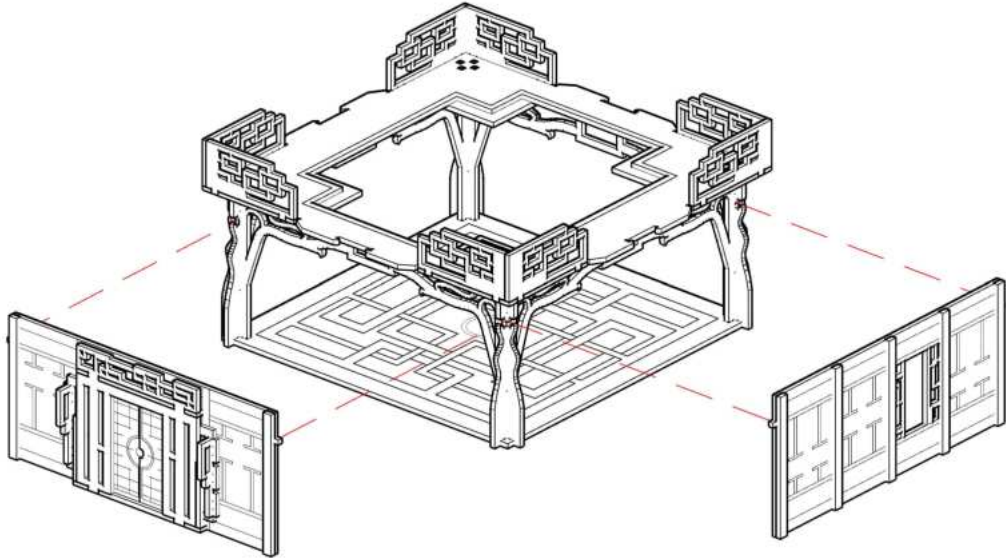




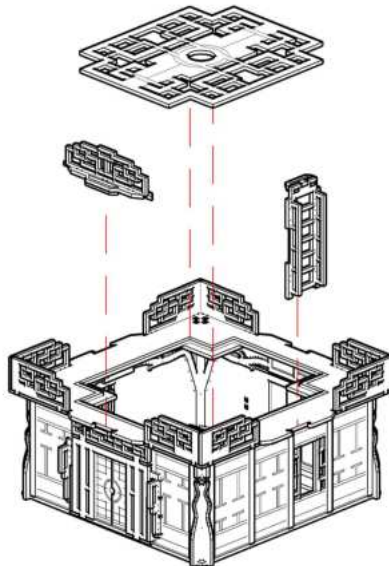
WARCRADLETM
SCENICS

New Kyoto - Medium H.A.B. - Assembly Guide

Parts may need careful removal from the MDF boards with a scalpel, and light sanding of any rough edges. We recommend testing assembling sections before permanently gluing together.



NOTE: Insert walls (DO NOT GLUE)
where desired.

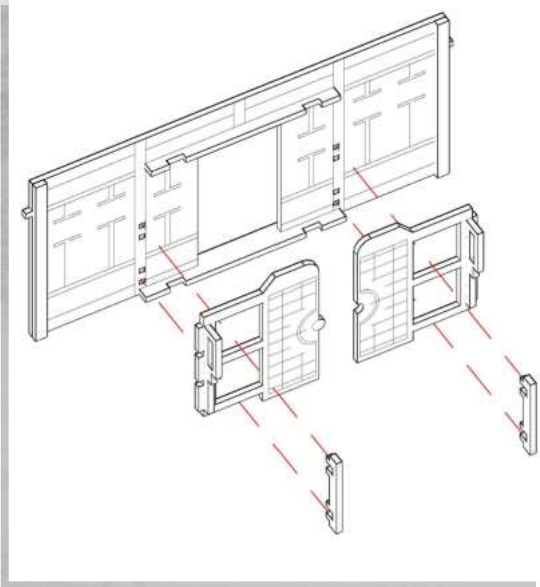


NOTE: Insert accessories and roof
(DO NOT GLUE).

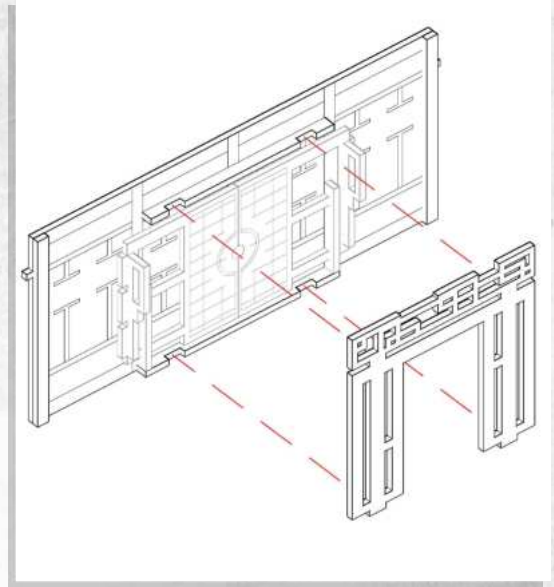


New Kyoto - Medium H.A.B. - Assembly Guide

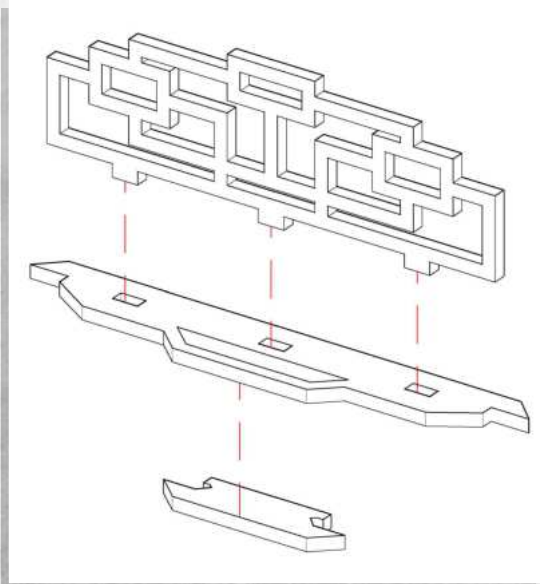
Parts may need careful removal from the MDF boards with a scalpel, and light sanding of any rough edges. We recommend testing assembling sections before permanently gluing together.



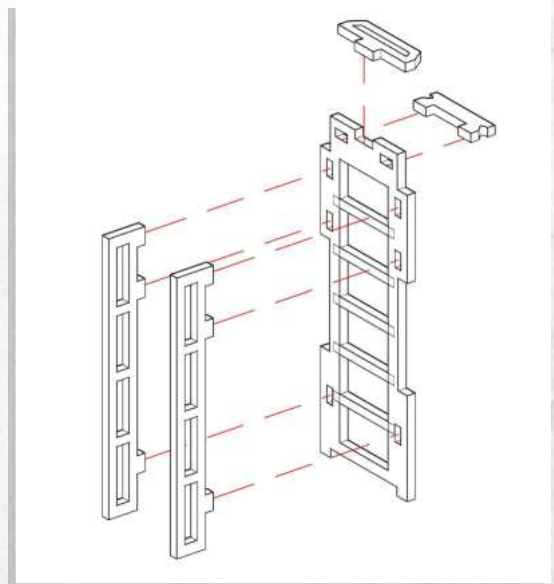
NOTE: Repeat for the second door.
NOTE: Glue brackets to wall (DO NOT GLUE DOORS).



NOTE: Repeat for the second door.



NOTE: Repeat for the all barriers.



NOTE: Repeat for all ladders.