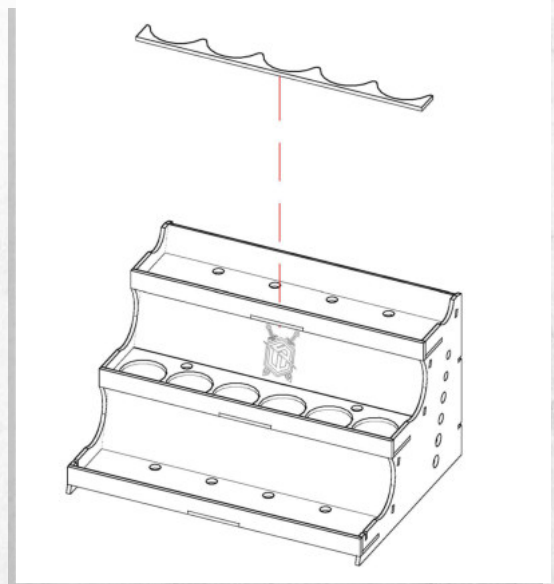
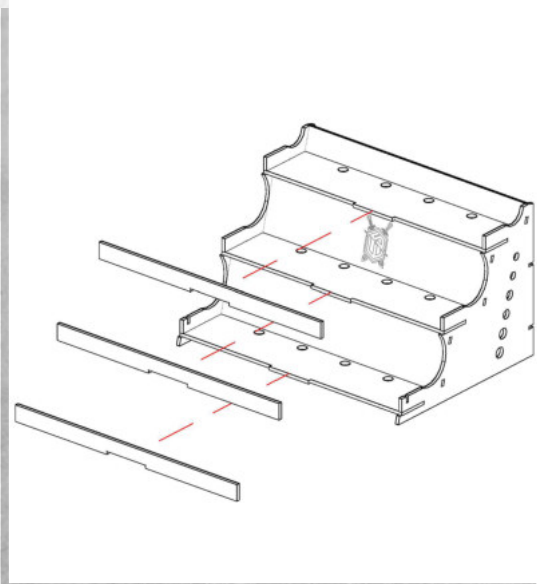
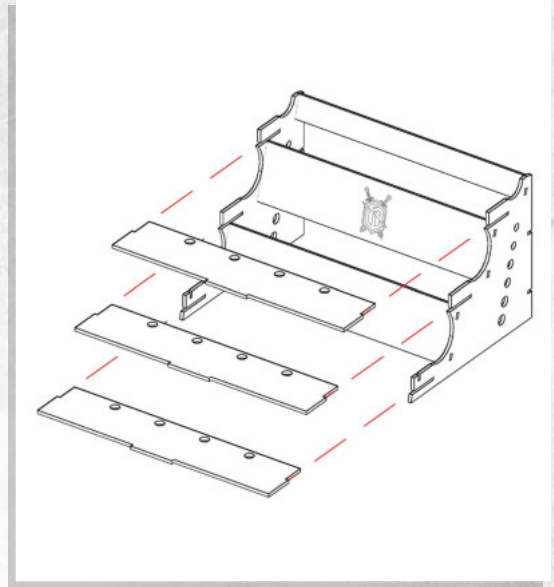
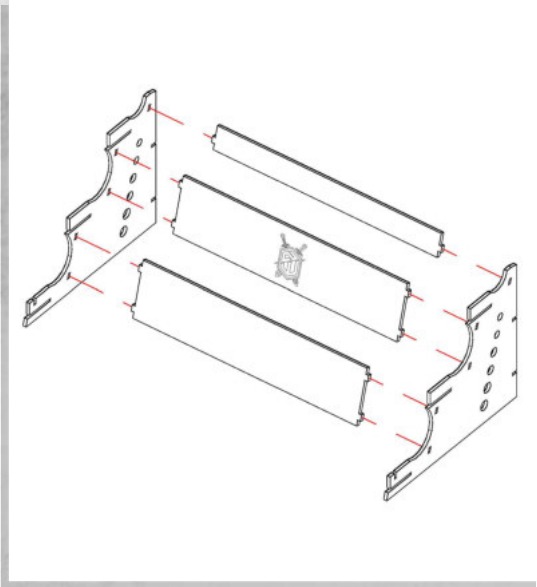




## Paint Rack - Assembly Guide

Parts may need careful removal from the MDF boards with a scalpel, and light sanding of any rough edges. We recommend testing assembling sections before permanently gluing together.



NOTE: Insert trays depending on paint size.  
(DO NOT GLUE).

NOTE: Left over clips can be used to combine multiple paint rack products.

