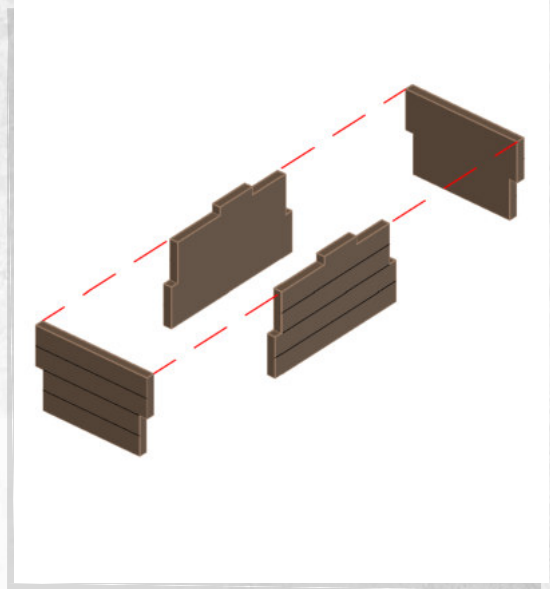
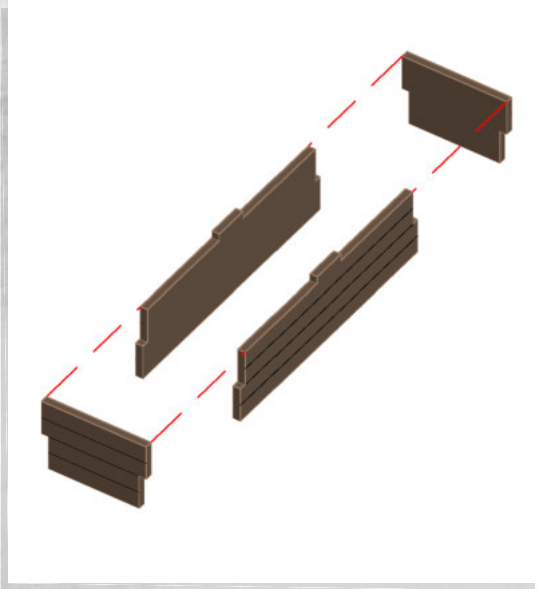
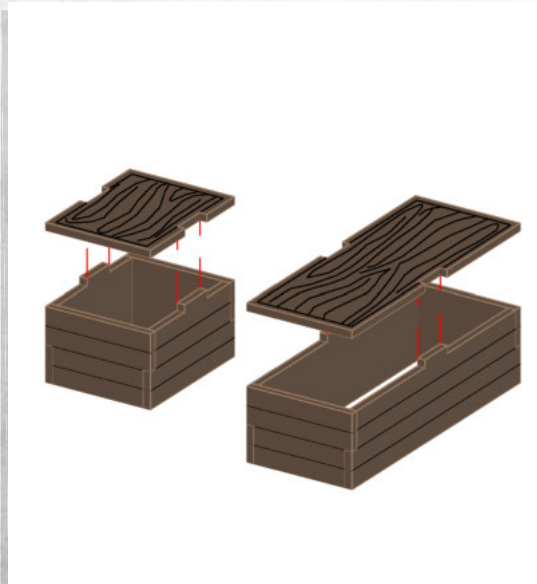


Estun Village - Market - Assembly Guide

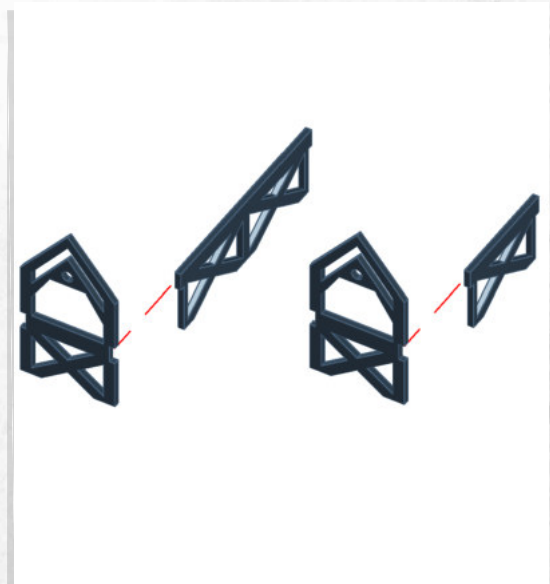
Warning: Pushing parts out by hand may cause damage. Parts may need careful removal from the MDF boards with a scalpel, and light sanding of any rough edges. We recommend testing assembling sections before permanently gluing together.



NOTE: Repeat for all



NOTE: Repeat for all



NOTE: Repeat for all

Estun Village - Market - Assembly Guide

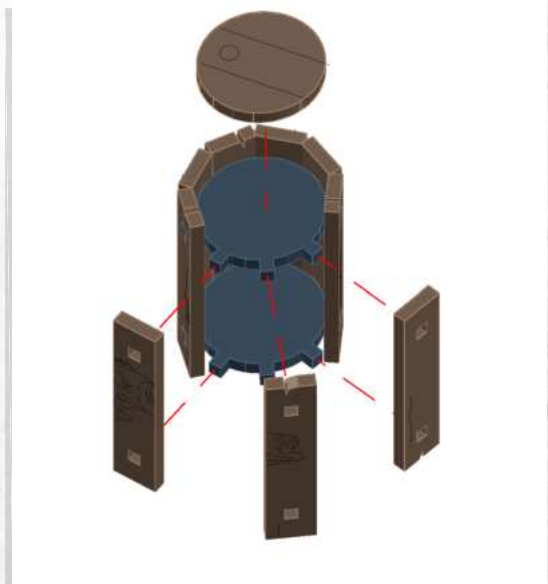
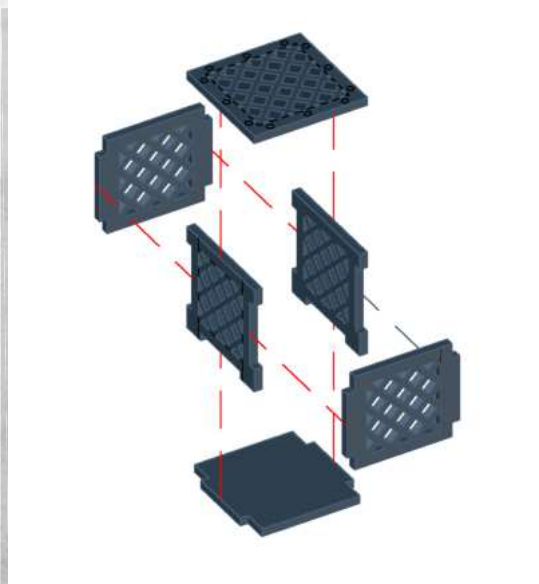
Warning: Pushing parts out by hand may cause damage. Parts may need careful removal from the MDF boards with a scalpel, and light sanding of any rough edges. We recommend testing assembling sections before permanently gluing together.



NOTE: Repeat for all



NOTE: Repeat for all stalls and on all sides

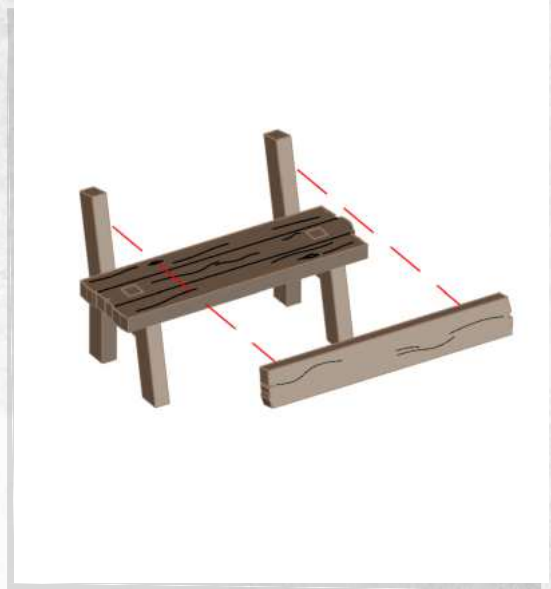


Estun Village - Market - Assembly Guide

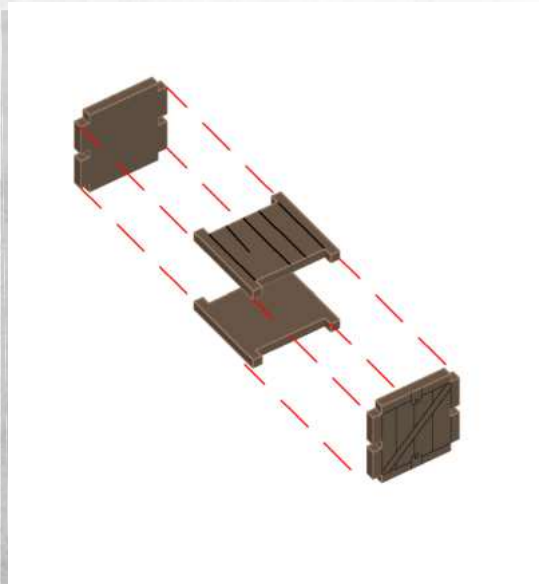
Warning: Pushing parts out by hand may cause damage. Parts may need careful removal from the MDF boards with a scalpel, and light sanding of any rough edges. We recommend testing assembling sections before permanently gluing together.



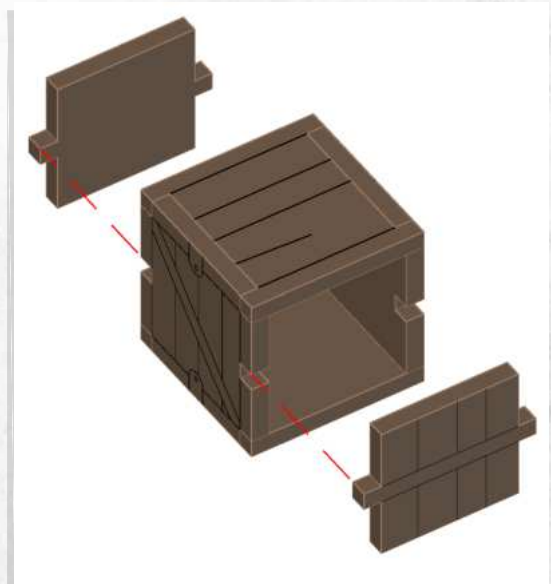
NOTE: Repeat for all



NOTE: Repeat for all



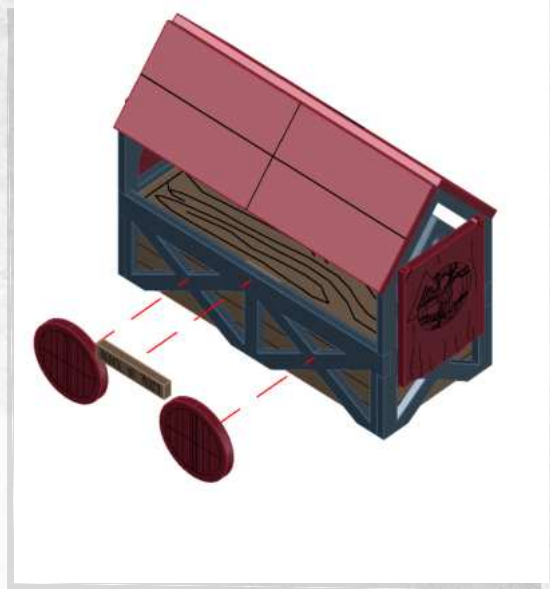
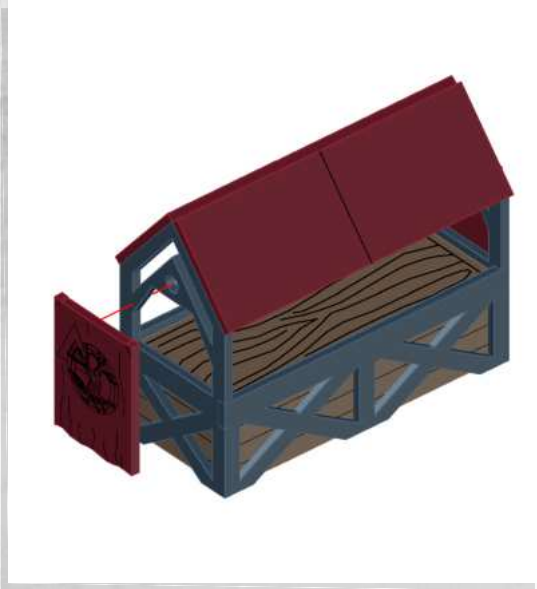
NOTE: Repeat for all



NOTE: Repeat for all

Estun Village - Market - Assembly Guide

Warning: Pushing parts out by hand may cause damage. Parts may need careful removal from the MDF boards with a scalpel, and light sanding of any rough edges. We recommend testing assembling sections before permanently gluing together.



NOTE: Place scatter around the market area filling the stalls