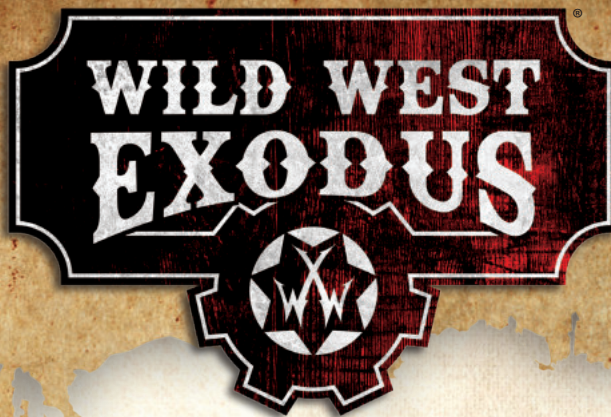




SCAN THIS CODE OR VISIT  
**WILDWESTEXODUS.COM**  
 FOR ASSEMBLY GUIDES AND MORE!

WEX991399036



# RED OAK CRATES, FENCES & BARRELS

PART OF THE **DYSTOPIAN AGE**™



@WILDWESTEXODUS



@WARCRADLESTUDIOS



WARNING! NOT A TOY. AGE 14+  
 HOBBY GAMING PRODUCT.  
 CONTAINS SMALL PARTS.

ATTENTION ! CECI N'EST PAS UN JOUET. ÂGE 14+ PRODUIT POUR JEU DE SOCIÉTÉ. CONTIENT DE PETITS ÉLÉMENTS.  
 UWAGA! TO NIE JEST ZABAWKA. OD LAT 14+ PRODUKT DO GRY HOBBYSTYCZNEJ. ZAWIERA MAŁE ELEMENTY.  
 ¡ADVERTENCIA! NO ES UN JUGUETE. EDAD 14+ ARTÍCULO DE MODELISMO. CONTIENE PIEZAS PEQUEÑAS.  
 WARNUNG! KEIN SPIELZEUG. AB 14 JAHREN. HOBBY-SPIELPRODUKT. ENTHÄLT KLEINTEILE.

THIS PRODUCT CONTAINS MEDIUM DENSITY FIBREBOARD (CLASS E1)

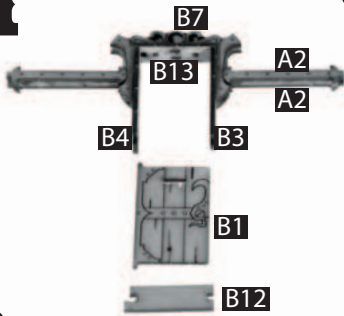


WARCRADLE STUDIOS IS A TRADING NAME OF WAYLAND GAMES LIMITED. WILD WEST EXODUS IS A TRADEMARK OF WAYLAND GAMES LIMITED.  
 ILLUSTRATIONS AND DESIGNS ARE COPYRIGHT © 2020 WAYLAND GAMES LIMITED. ASSEMBLED IN THE UK.



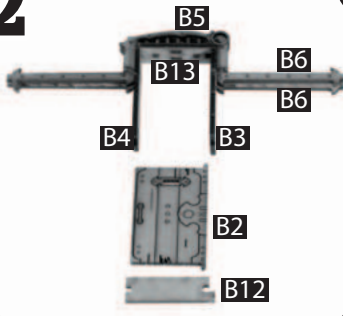
Parts may need careful removal from the MDF boards with a scalpel, and light sanding of any rough edges. We recommend testing assembling sections before permanently gluing together.

**1**



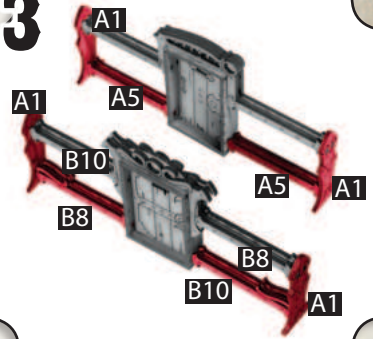
- Glue B7 & 2x A2 to B13.
- Connect B4 & B3 as shown.
- Insert B1, then glue B12 to B3 & B4.

**2**



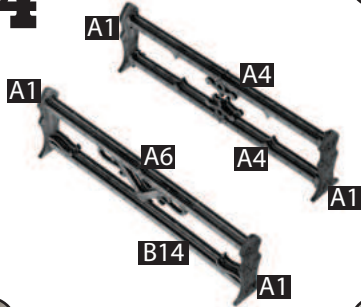
- Glue B5 & 2x B6 to B13.
- Connect B4 & B3 as shown.
- Insert B2, then glue B12 to B3 & B4.

**3**



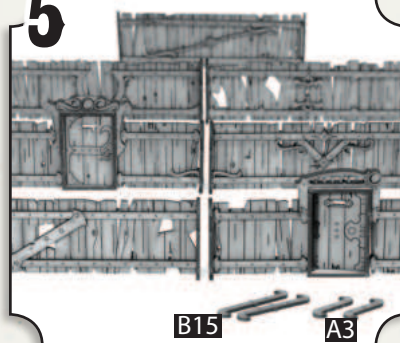
- Connect 2x B8, 2x B10 & 2x A1 to the first door.
- Connect 4x A5 & 2x A1 to the second door.

**4**



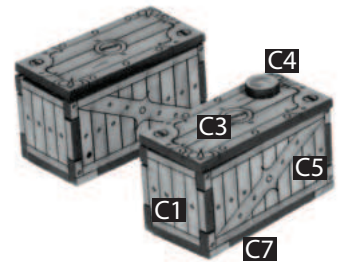
- For each fence combine the following:
- First fence: 2x A1, 2x A6, 2x B14
  - Second fence: 2x A1, 4x A4
  - Third fence: 2x A1, 2x B9
  - Fourth fence: 2x A1, 2x B11
  - Fifth fence: 2x A1, 2x B16

**5**



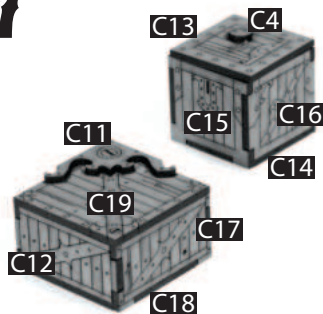
- Insert any combination of triple or single planks (A7 & A8) into each fence.
- 2x B15 and 2x A3 can be used anywhere.

**6**



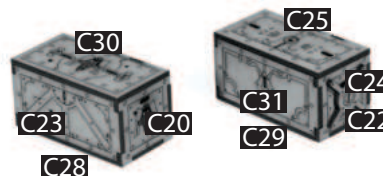
- Combine parts C7, 2x C5, 2x C1 & C3 for each of the two small boxes, (C4 can be used anywhere).

**7**



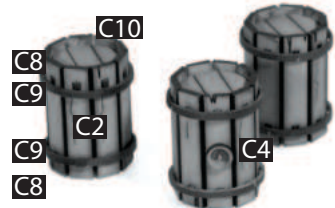
- Combine 2x C12, 2x C17, C18, C19 & C11 for the first medium box.
- Combine 2x C15, 2x C16, C14 & C13 for the second medium box.

**8**



- Combine C23, C20, C21, C27, C28 & C30 for the first large box (C21 & C27 on reverse side).
- Combine C31, C26, 2x C22, 2x C24, C29 & C25 for the second large box (C26, C22 & C24 on reverse side).

**9**



- For each of the three barrels:
- Combine 9x C2 & 2x C8.
  - Gently add 2x C9.
  - Glue C10 on the top side as shown.