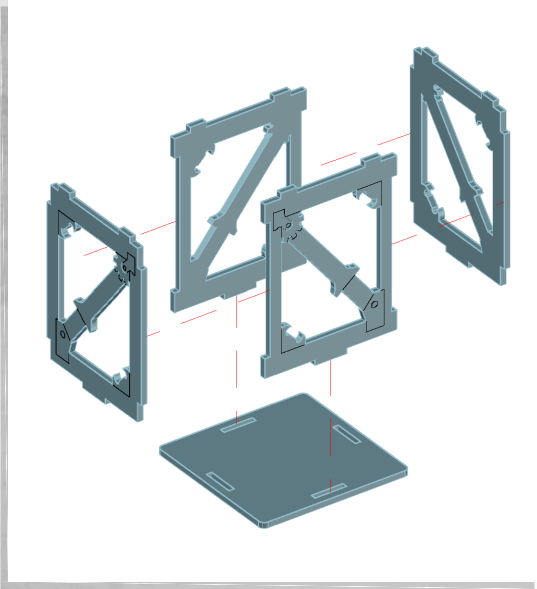


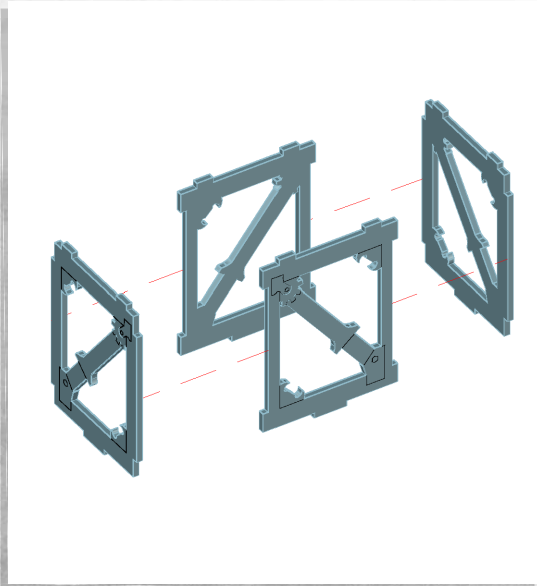
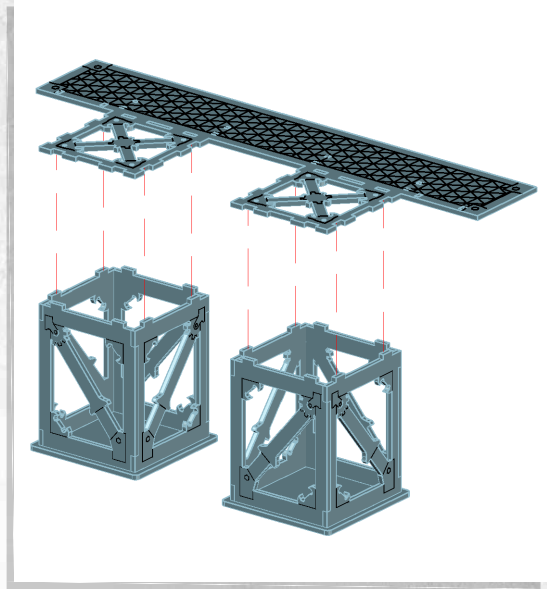


Promethean - The Refinery - Assembly Guide

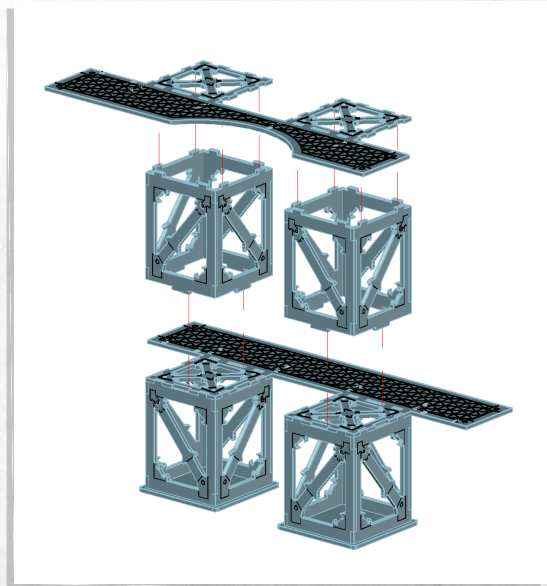
Warning: Pushing parts out by hand may cause damage. Parts may need careful removal from the MDF boards with a scalpel, and light sanding of any rough edges. We recommend testing assembling sections before permanently gluing together.



NOTE: Repeat



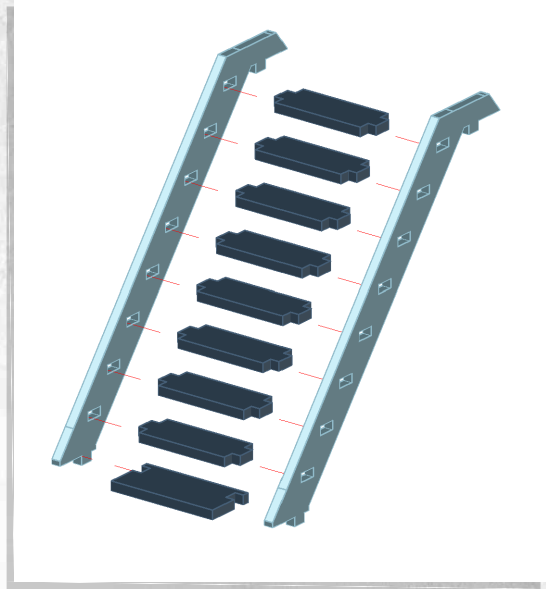
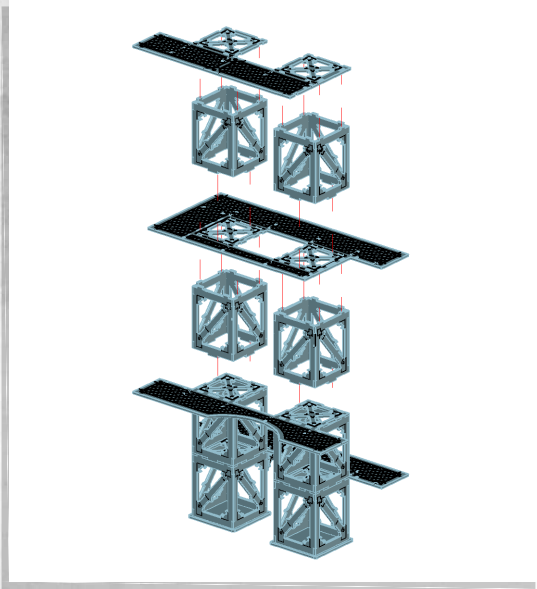
NOTE: Repeat



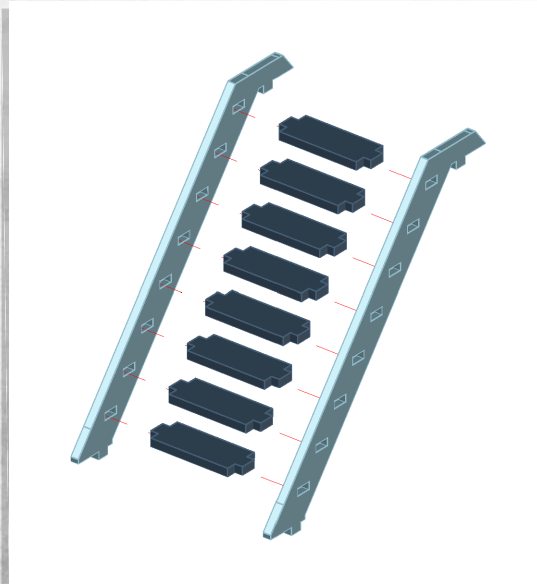


Promethean - The Refinery - Assembly Guide

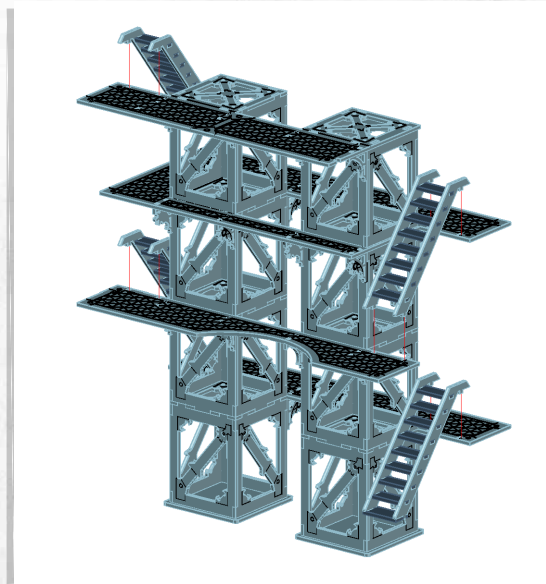
Warning: Pushing parts out by hand may cause damage. Parts may need careful removal from the MDF boards with a scalpel, and light sanding of any rough edges. We recommend testing assembling sections before permanently gluing together.



NOTE: Repeat to make 2



NOTE: Repeat to make 6

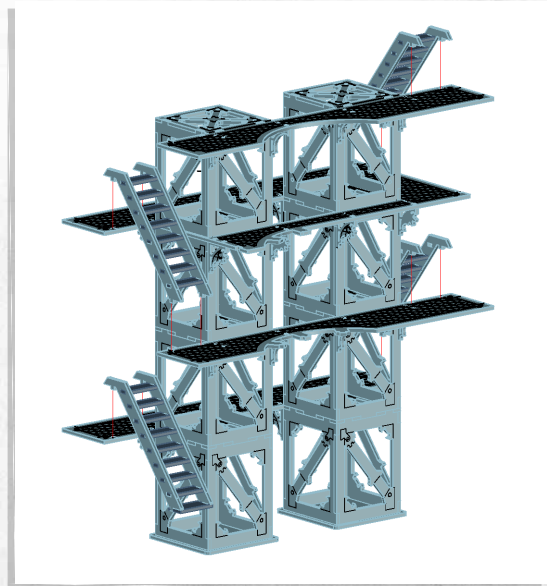
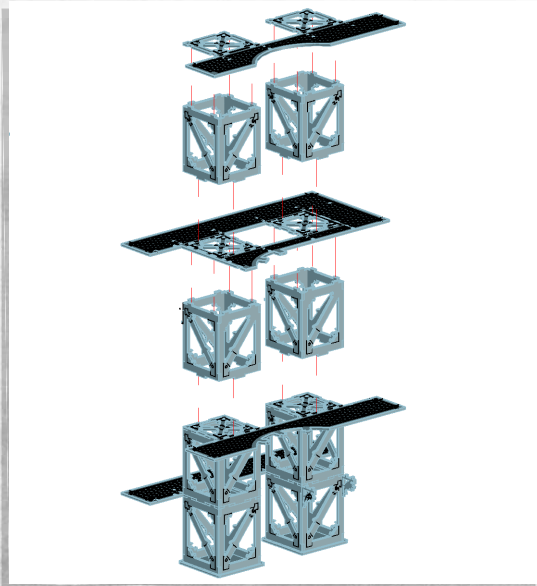
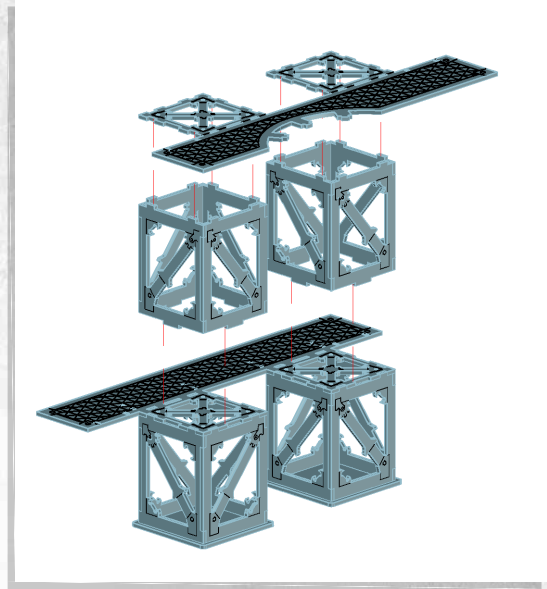
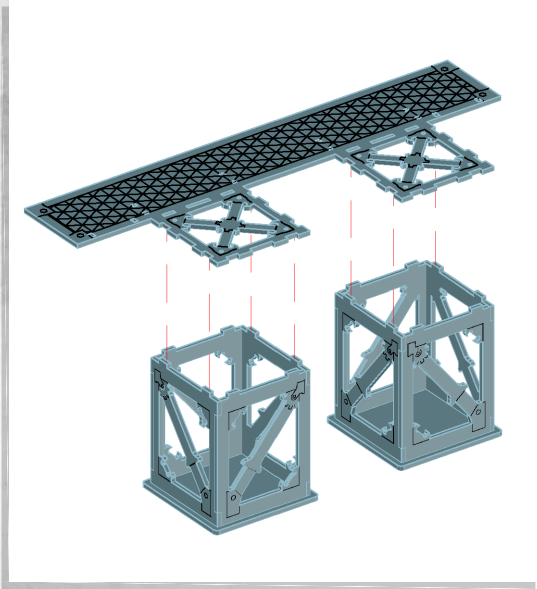




WARCRADLETM
SCENICS

Promethean - The Refinery - Assembly Guide

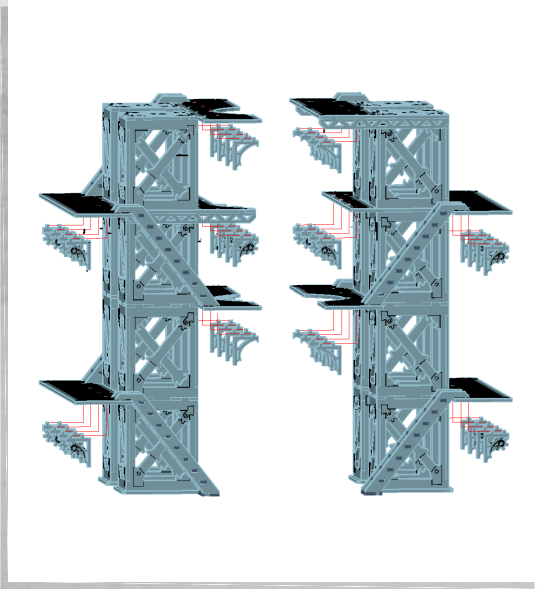
Warning: Pushing parts out by hand may cause damage. Parts may need careful removal from the MDF boards with a scalpel, and light sanding of any rough edges. We recommend testing assembling sections before permanently gluing together.



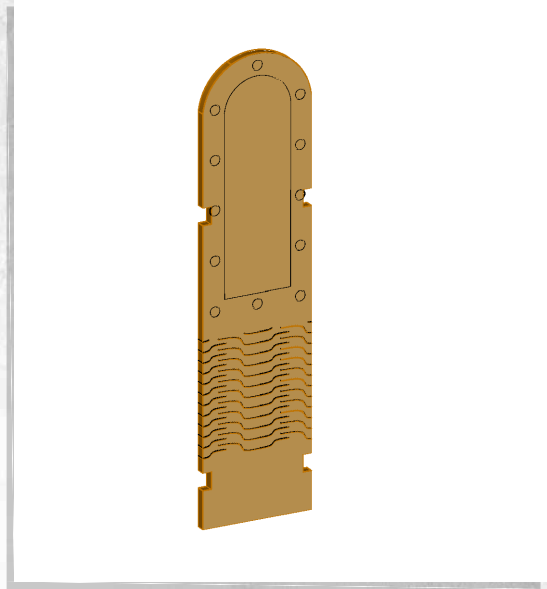


Promethean - The Refinery - Assembly Guide

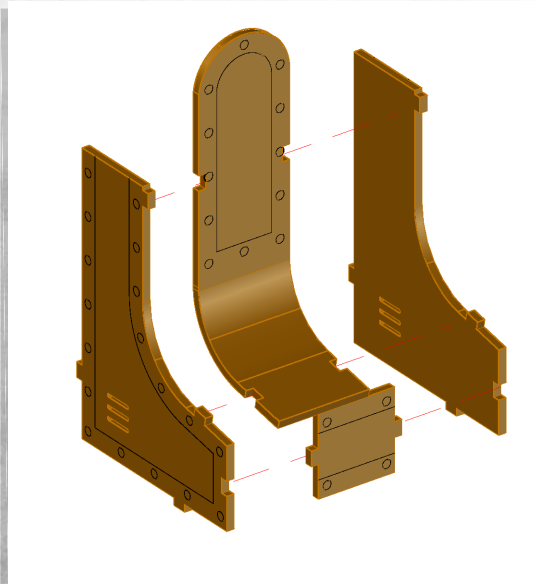
Warning: Pushing parts out by hand may cause damage. Parts may need careful removal from the MDF boards with a scalpel, and light sanding of any rough edges. We recommend testing assembling sections before permanently gluing together.



NOTE: Glue in all brackets



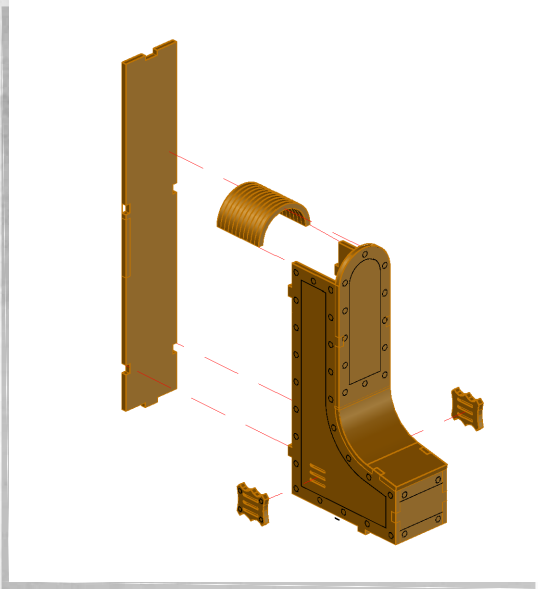
NOTE: Carefully bend this piece to a curve



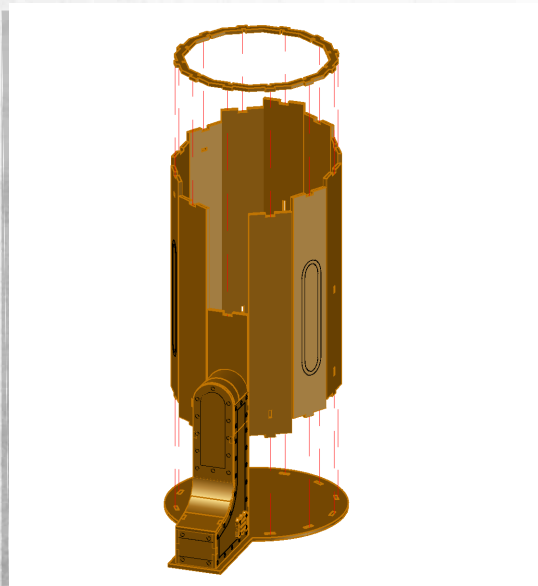
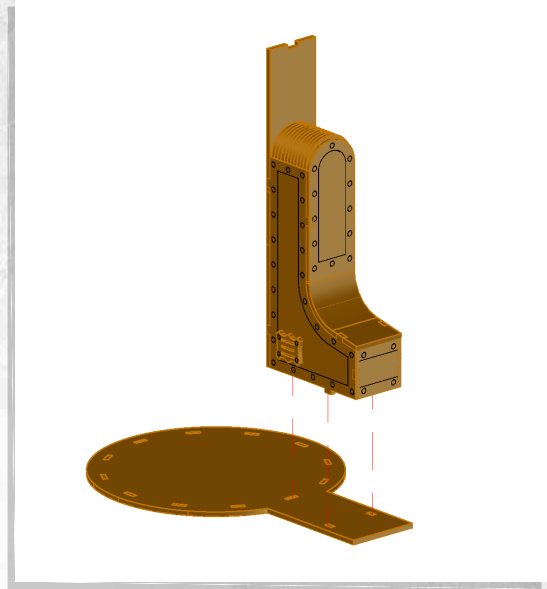


Promethean - The Refinery - Assembly Guide

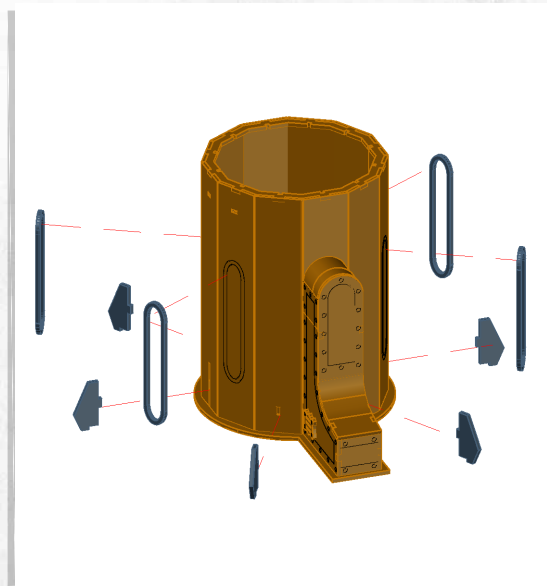
Warning: Pushing parts out by hand may cause damage. Parts may need careful removal from the MDF boards with a scalpel, and light sanding of any rough edges. We recommend testing assembling sections before permanently gluing together.



NOTE: Panel labeled '1'



NOTE: Glue in the panels labelled 2-12 clockwise starting from the front next to 1

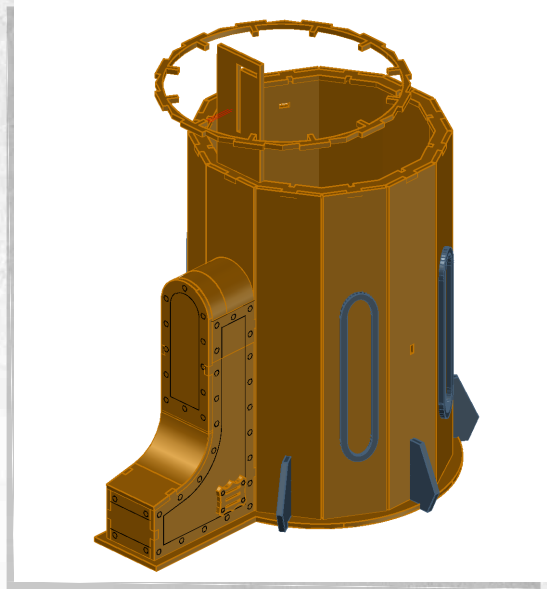
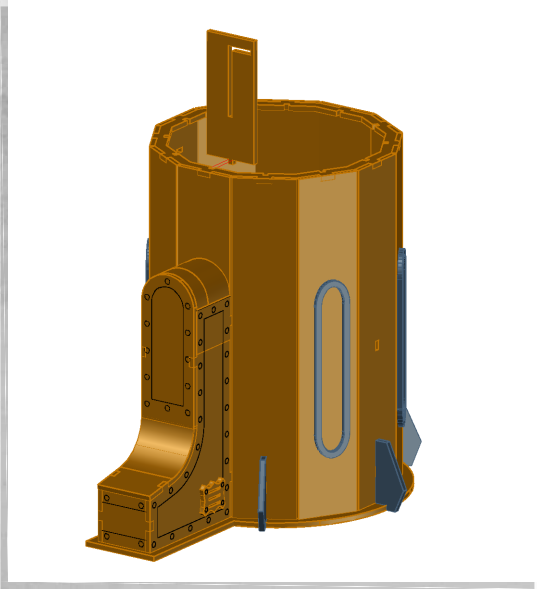




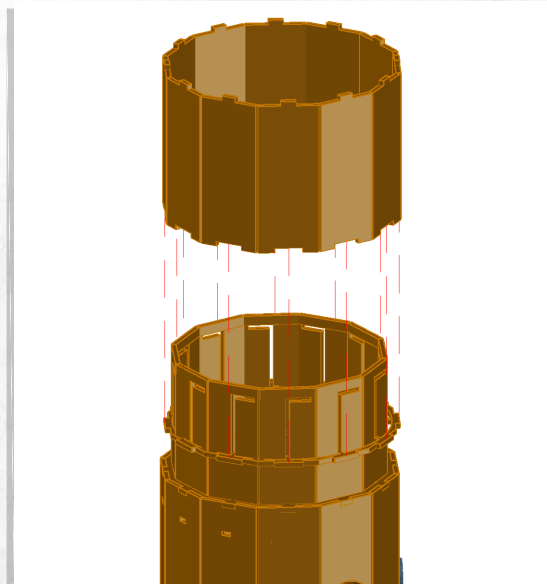
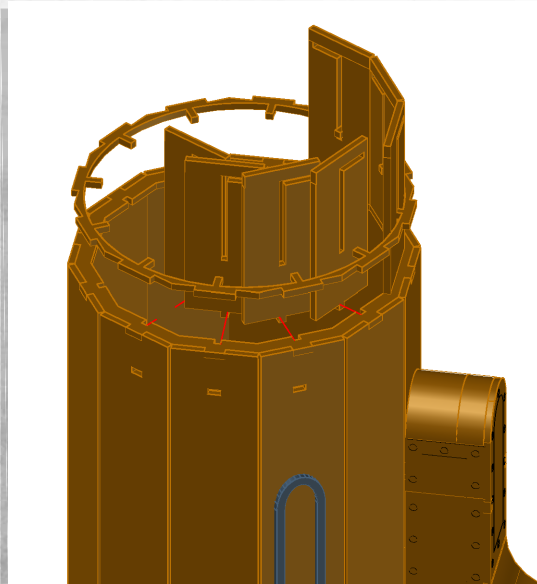
WARCRADLETM
SCENICS

Promethean - The Refinery - Assembly Guide

Warning: Pushing parts out by hand may cause damage. Parts may need careful removal from the MDF boards with a scalpel, and light sanding of any rough edges. We recommend testing assembling sections before permanently gluing together.



NOTE: DO NOT GLUE, rest the hoop in place with one of the tabs through the 'L' shaped slot



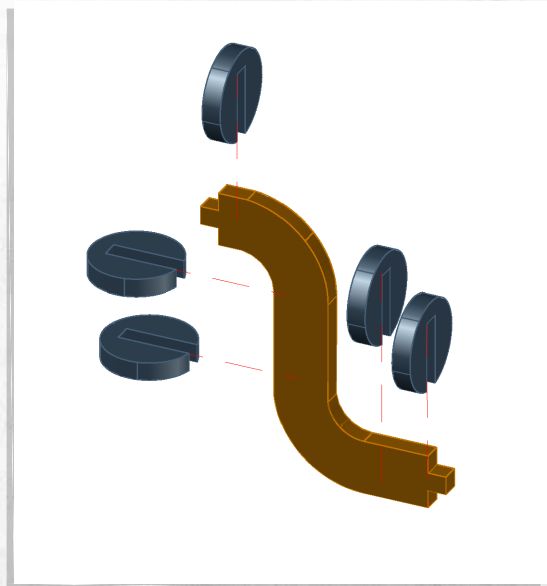
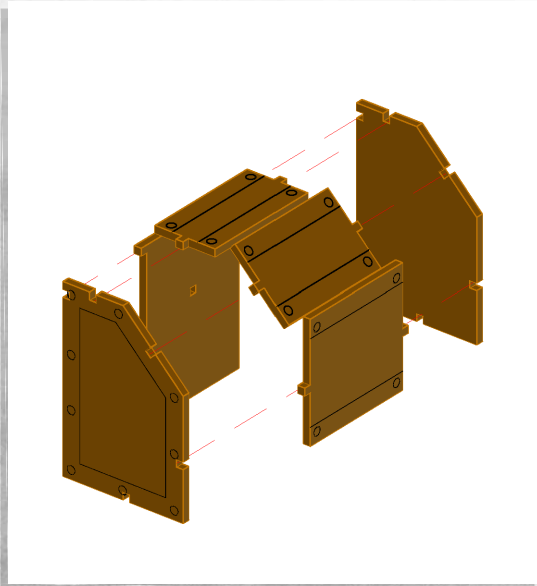
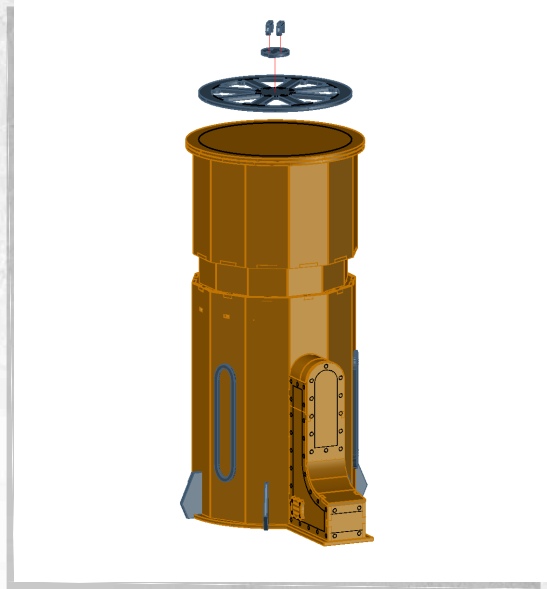
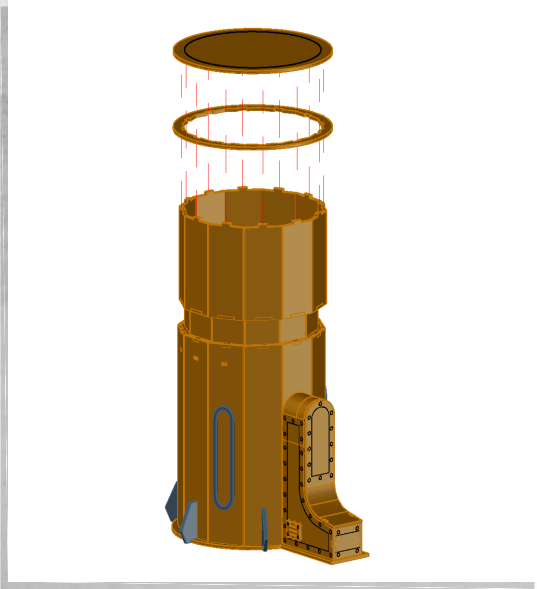
NOTE: WITHOUT GLUE make sure the tabs fit through the slots. Only glue the bottom edge of each piece. All pieces must have the 'L' shaped slot facing the same direction



WARCRADLETM
SCENICS

Promethean - The Refinery - Assembly Guide

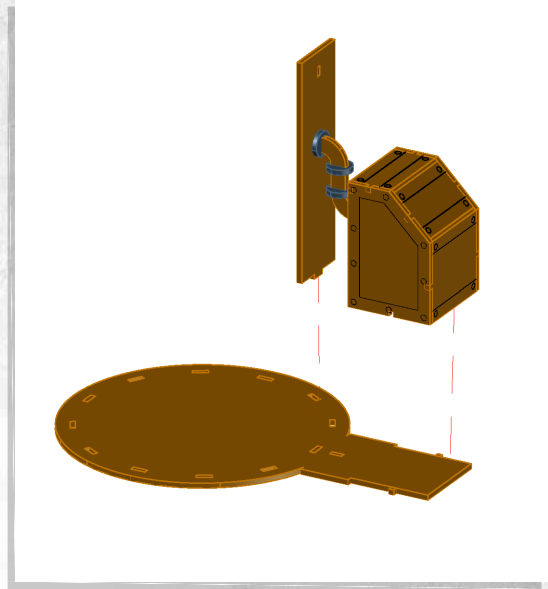
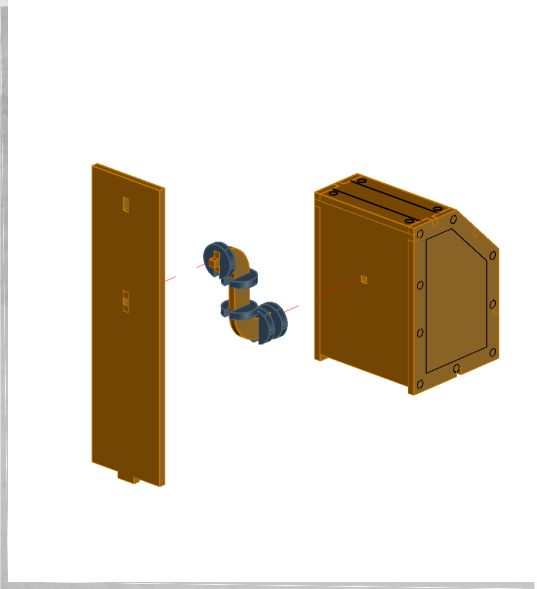
Warning: Pushing parts out by hand may cause damage. Parts may need careful removal from the MDF boards with a scalpel, and light sanding of any rough edges. We recommend testing assembling sections before permanently gluing together.



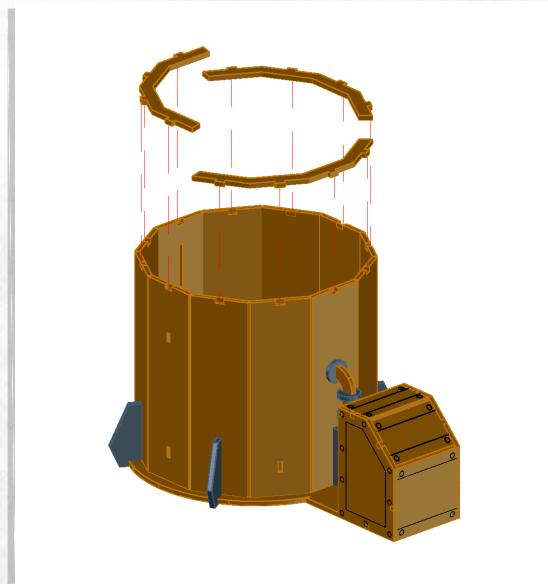
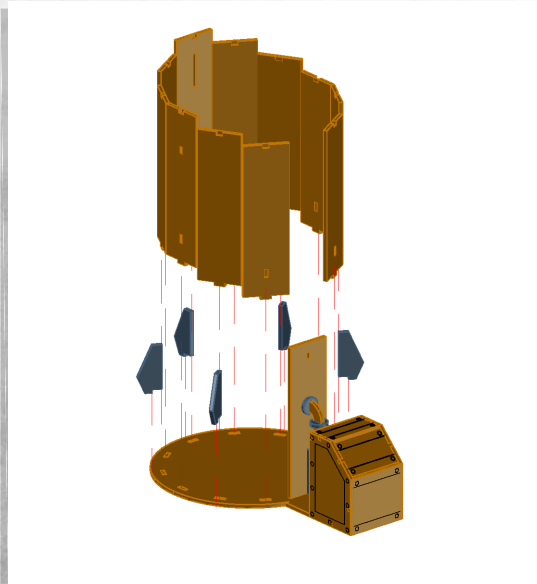


Promethean - The Refinery - Assembly Guide

Warning: Pushing parts out by hand may cause damage. Parts may need careful removal from the MDF boards with a scalpel, and light sanding of any rough edges. We recommend testing assembling sections before permanently gluing together.



NOTE: Panel labeled '13'



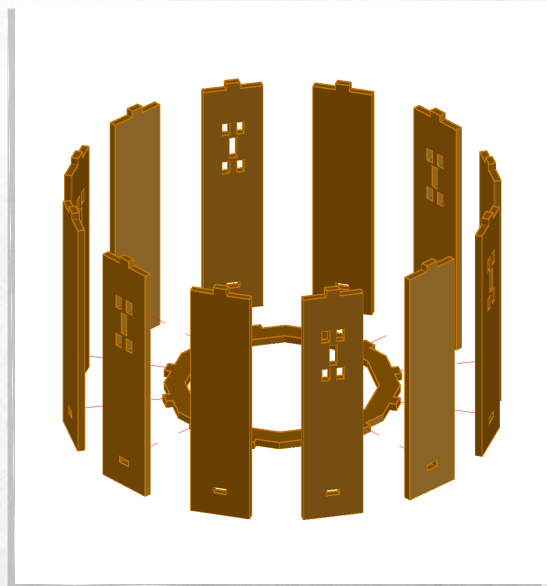
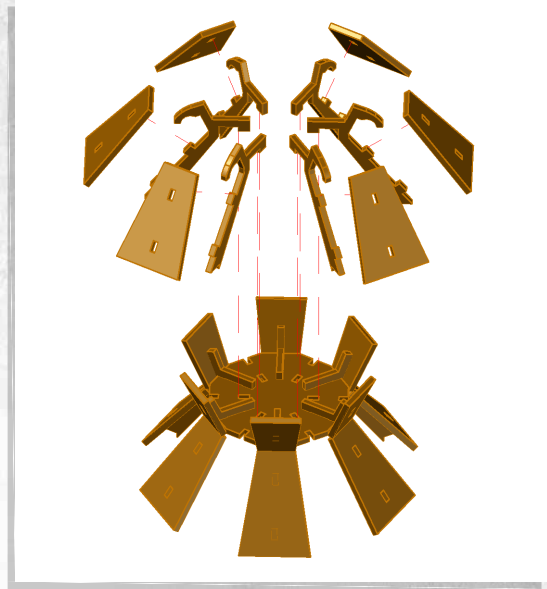
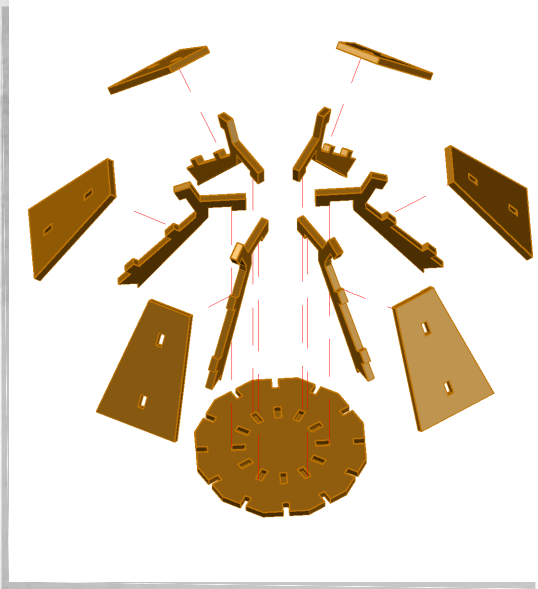
NOTE: Glue in the panels labelled 14-24 clockwise starting from the front next to 13



WARCRADLETM
SCENICS

Promethean - The Refinery - Assembly Guide

Warning: Pushing parts out by hand may cause damage. Parts may need careful removal from the MDF boards with a scalpel, and light sanding of any rough edges. We recommend testing assembling sections before permanently gluing together.

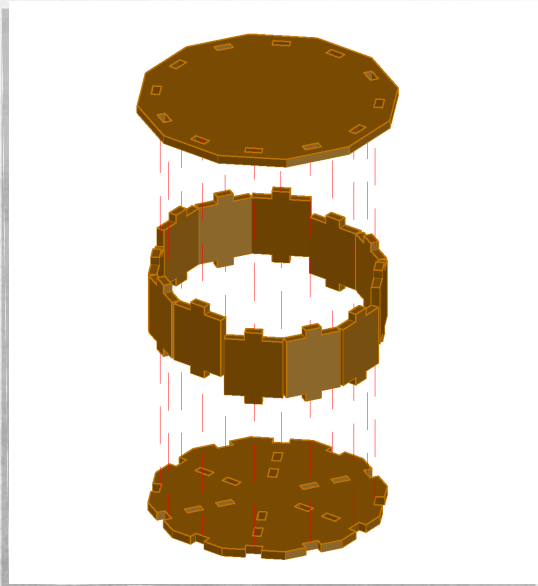
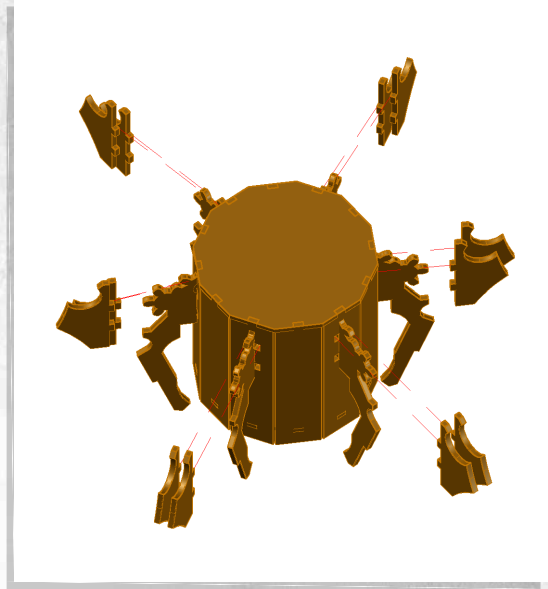
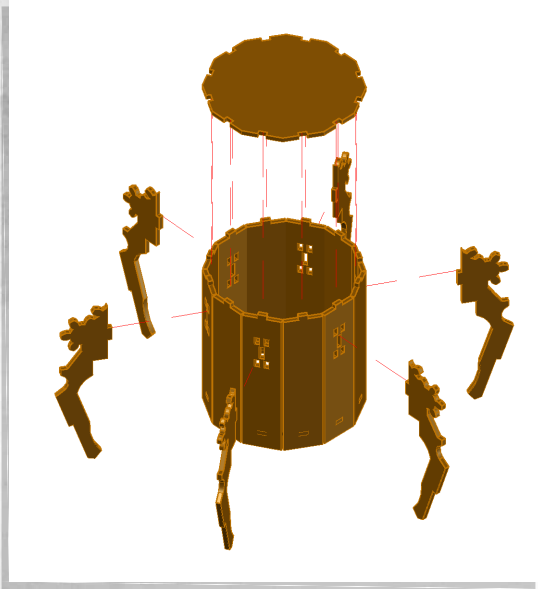




WARCRADLETM
SCENICS

Promethean - The Refinery - Assembly Guide

Warning: Pushing parts out by hand may cause damage. Parts may need careful removal from the MDF boards with a scalpel, and light sanding of any rough edges. We recommend testing assembling sections before permanently gluing together.

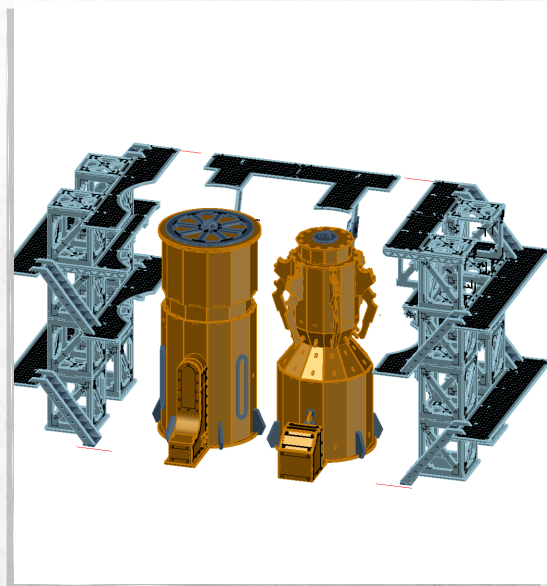
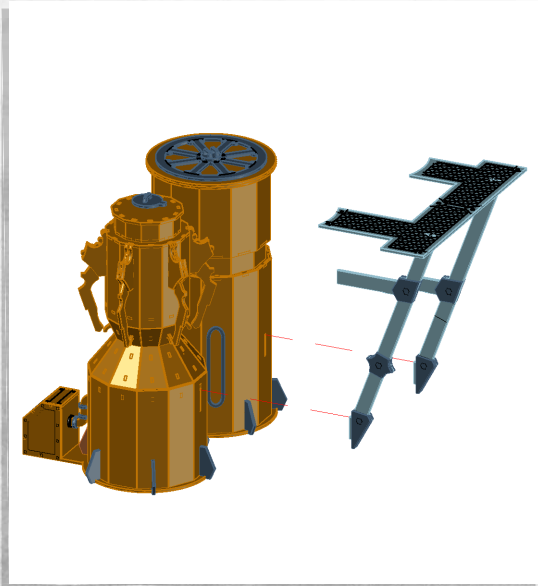
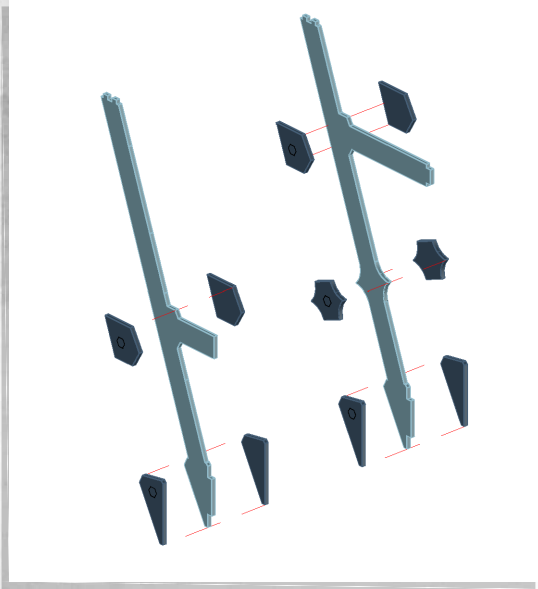




WARCRADLETM
SCENICS

Promethean - The Refinery - Assembly Guide

Warning: Pushing parts out by hand may cause damage. Parts may need careful removal from the MDF boards with a scalpel, and light sanding of any rough edges. We recommend testing assembling sections before permanently gluing together.



NOTE: Glue not needed'