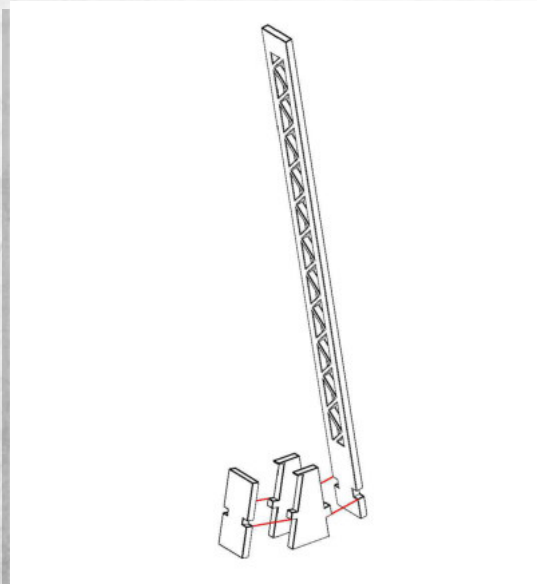
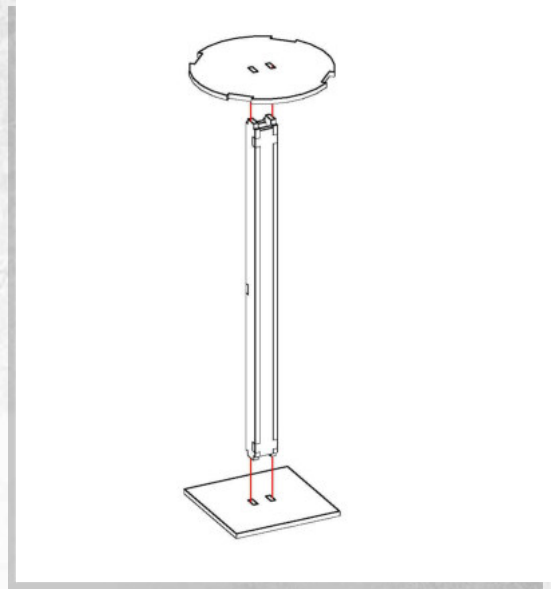
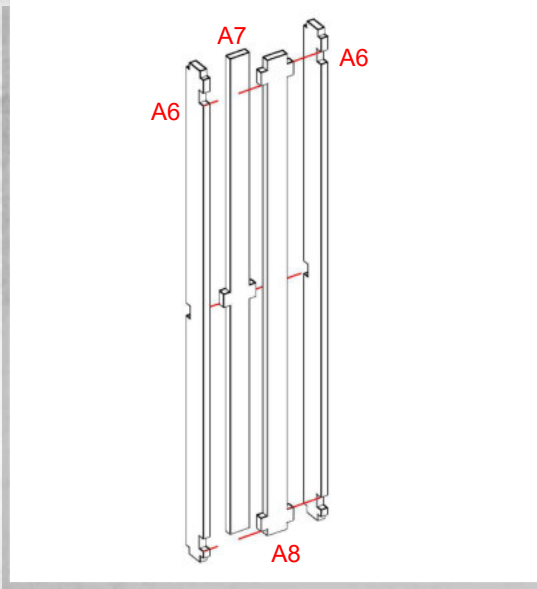


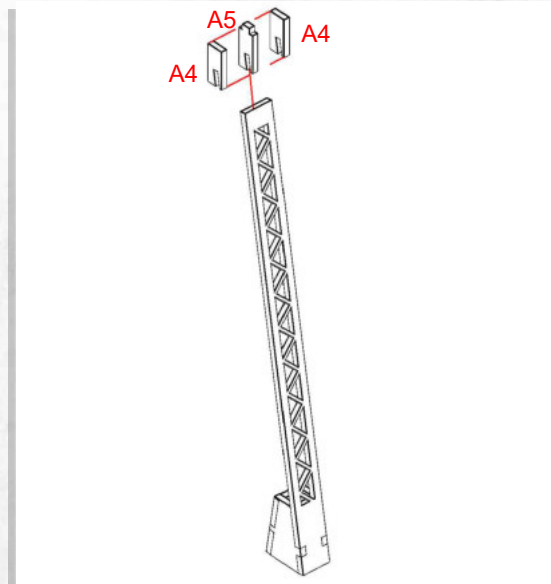


## Augusta - Water Tower - Assembly Guide

Warning: Pushing parts out by hand may cause damage. Parts may need careful removal from the MDF boards with a scalpel, and light sanding of any rough edges. We recommend testing assembling sections before permanently gluing together.



NOTE: repeat for all



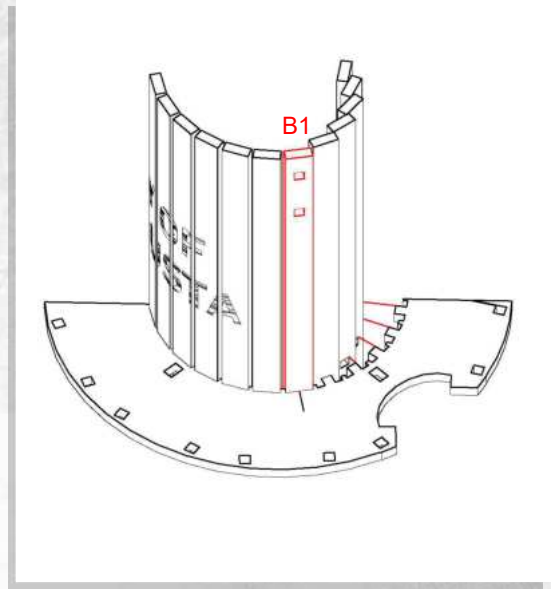
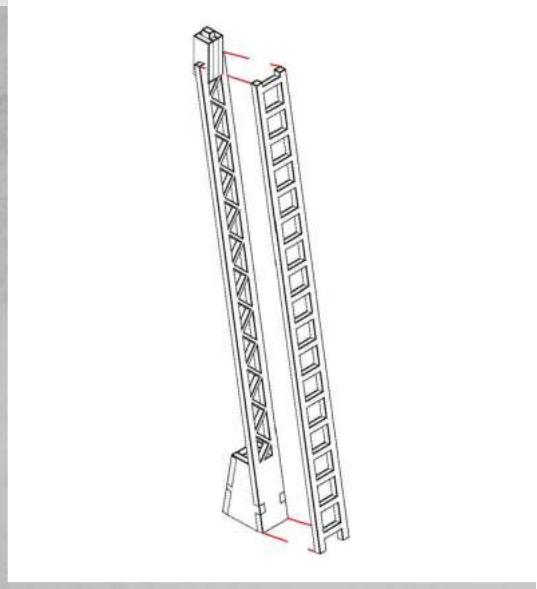
NOTE: repeat for all



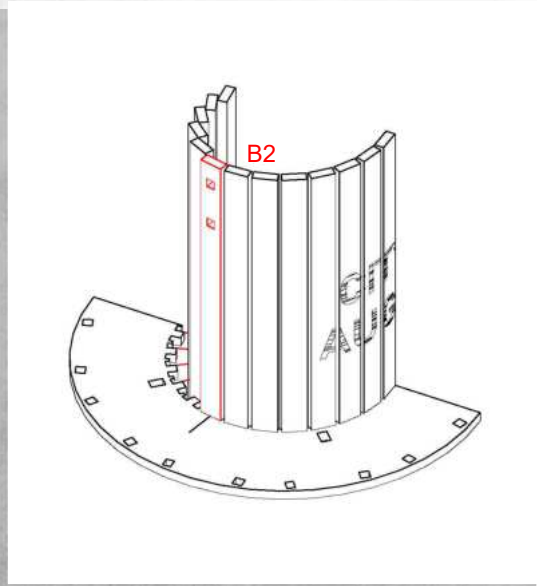


## Augusta - Water Tower - Assembly Guide

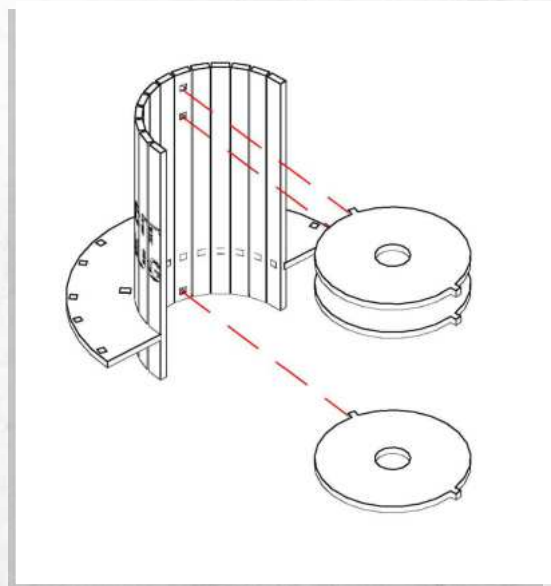
Warning: Pushing parts out by hand may cause damage. Parts may need careful removal from the MDF boards with a scalpel, and light sanding of any rough edges. We recommend testing assembling sections before permanently gluing together.



NOTE: Glue the red highlighted piece where the marking is.



NOTE: Glue the red highlighted piece where the marking is.

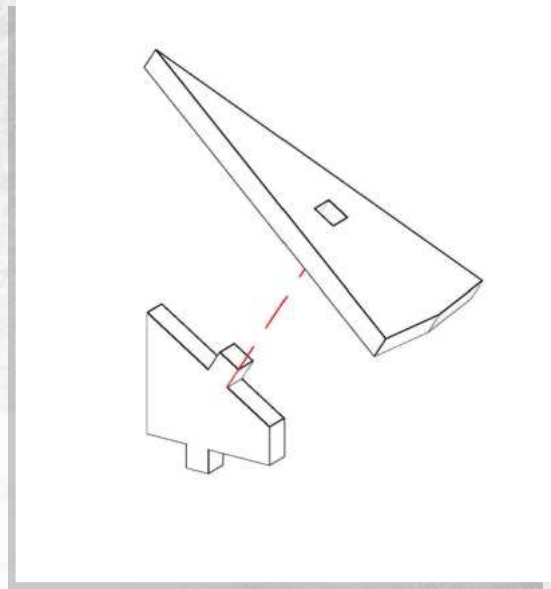
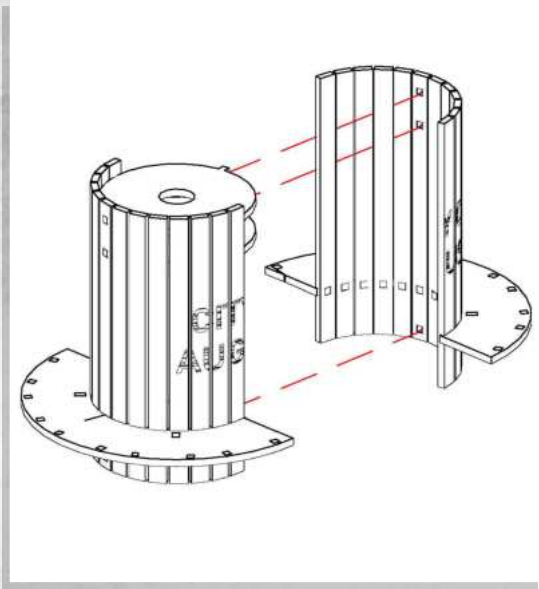




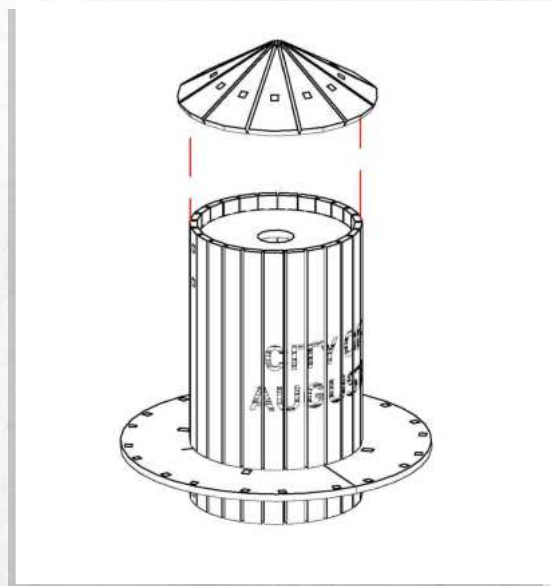
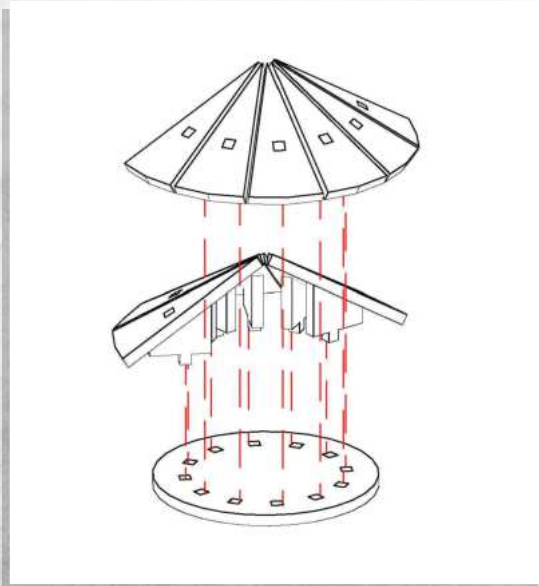
WARCRADLE<sup>TM</sup>  
SCENICS

## Augusta - Water Tower - Assembly Guide

Warning: Pushing parts out by hand may cause damage. Parts may need careful removal from the MDF boards with a scalpel, and light sanding of any rough edges. We recommend testing assembling sections before permanently gluing together.



NOTE: Repeat for all



NOTE: Place all segments to form  
a cone



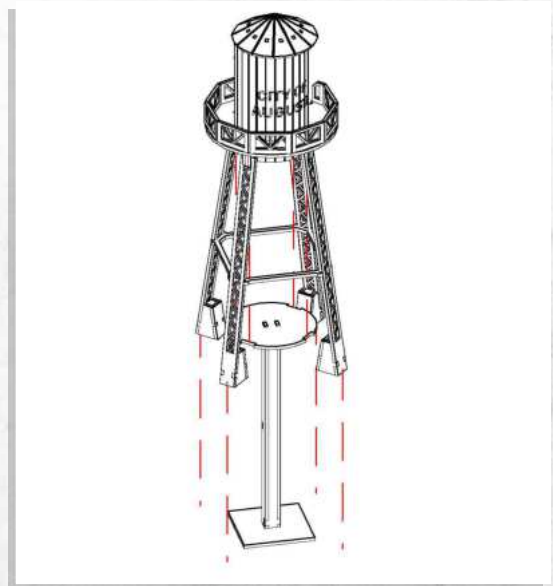
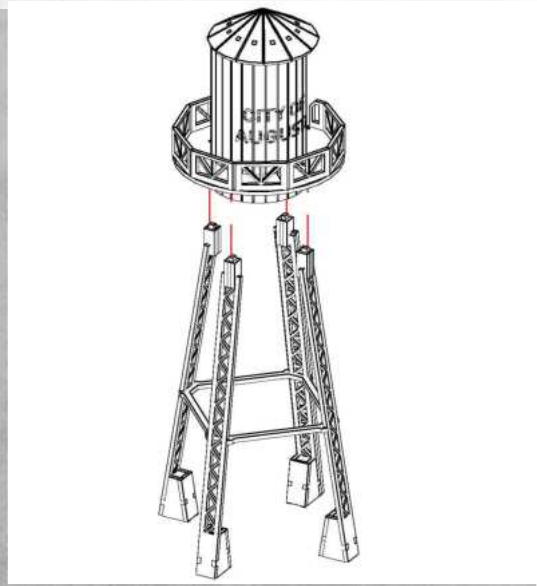
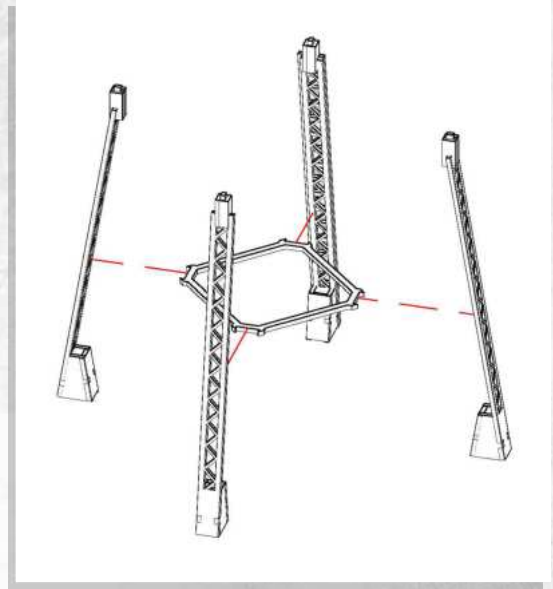
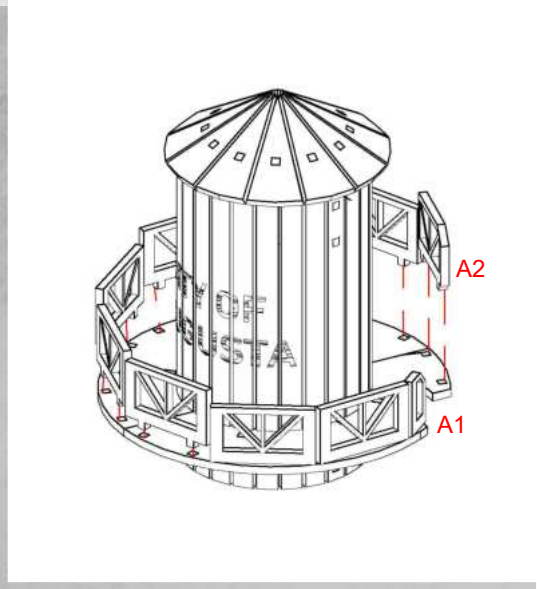
WARCRADLE<sup>®</sup>  
STUDIOS

WARCRADLE STUDIOS IS A TRADING NAME OF WAYLAND GAMES LIMITED.  
ILLUSTRATIONS AND DESIGNS ARE COPYRIGHT © 2020 WAYLAND GAMES LIMITED. ASSEMBLED IN THE UK.



## Augusta - Water Tower - Assembly Guide

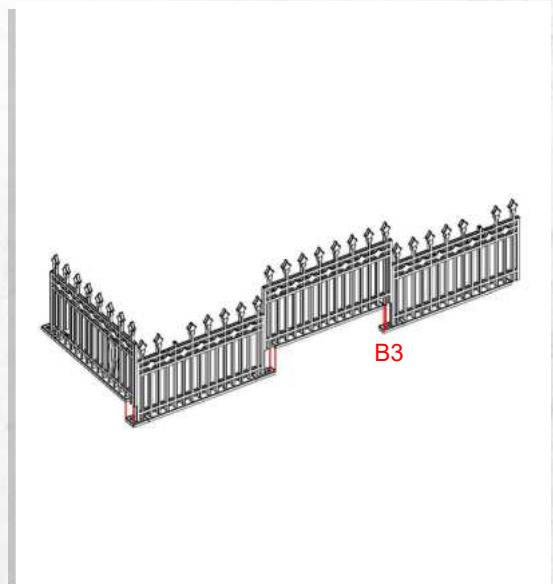
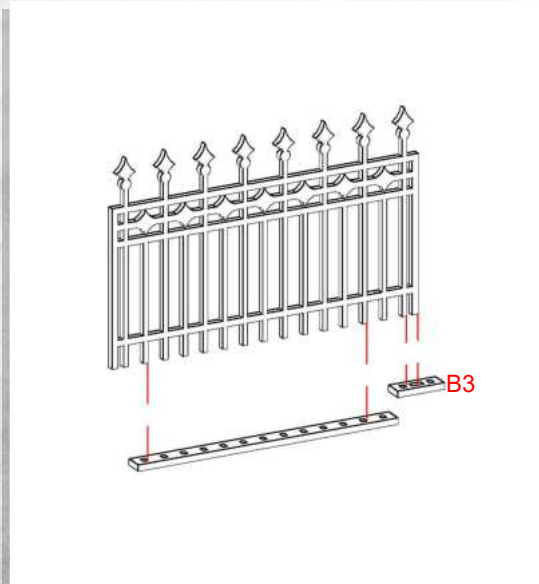
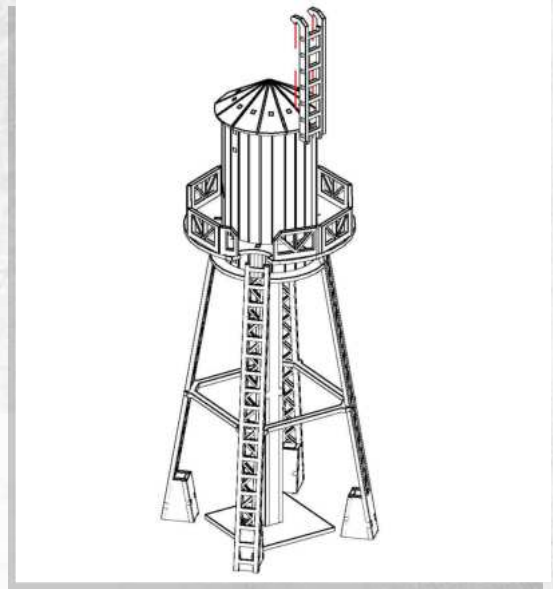
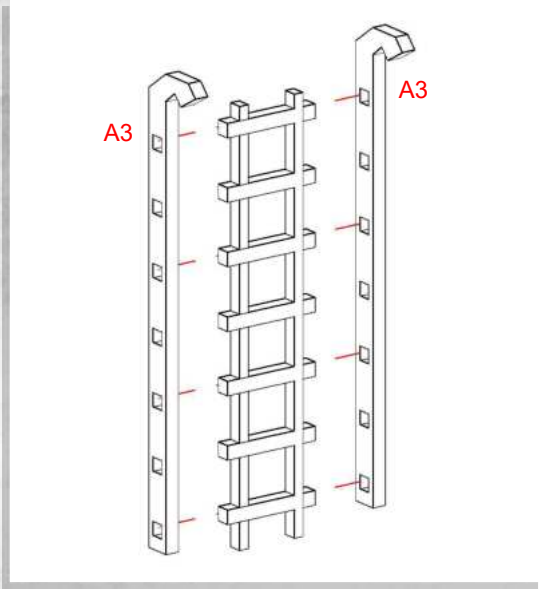
Warning: Pushing parts out by hand may cause damage. Parts may need careful removal from the MDF boards with a scalpel, and light sanding of any rough edges. We recommend testing assembling sections before permanently gluing together.





## Augusta - Water Tower - Assembly Guide

Warning: Pushing parts out by hand may cause damage. Parts may need careful removal from the MDF boards with a scalpel, and light sanding of any rough edges. We recommend testing assembling sections before permanently gluing together.



NOTE: Repeat for all

NOTE: Arrange in any configuration

