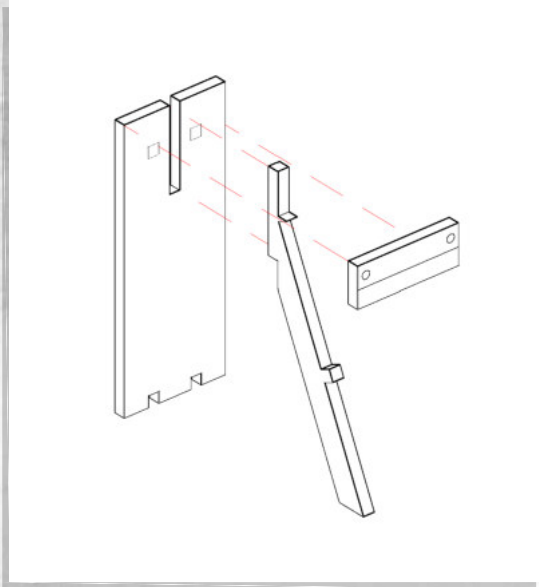
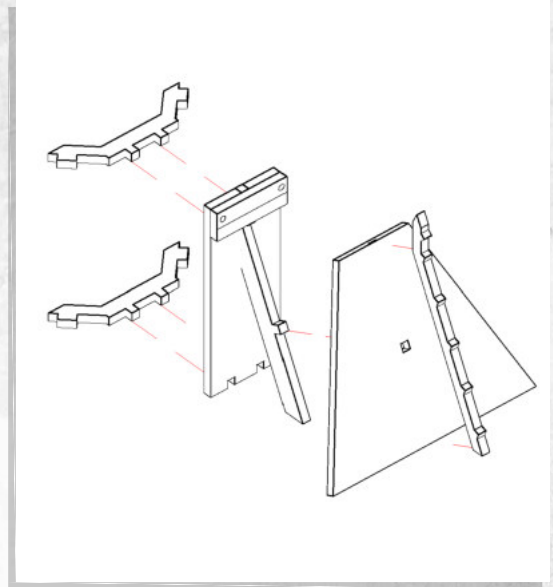


Omega Defence - Barricades - Assembly Guide

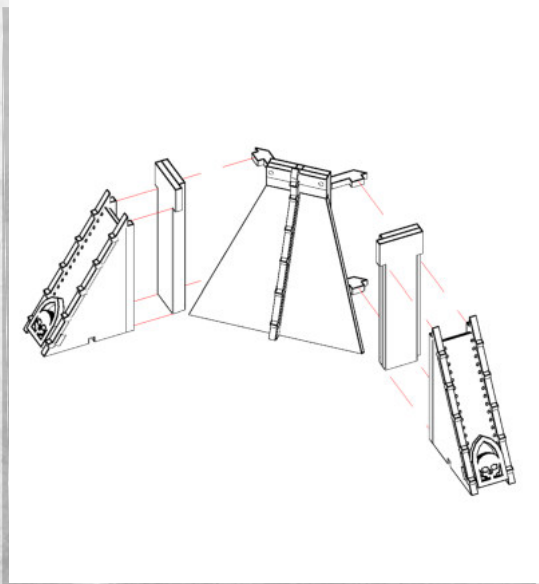
Warning: Pushing parts out by hand may cause damage. Parts may need careful removal from the MDF boards with a scalpel, and light sanding of any rough edges. We recommend testing assembling sections before permanently gluing together.



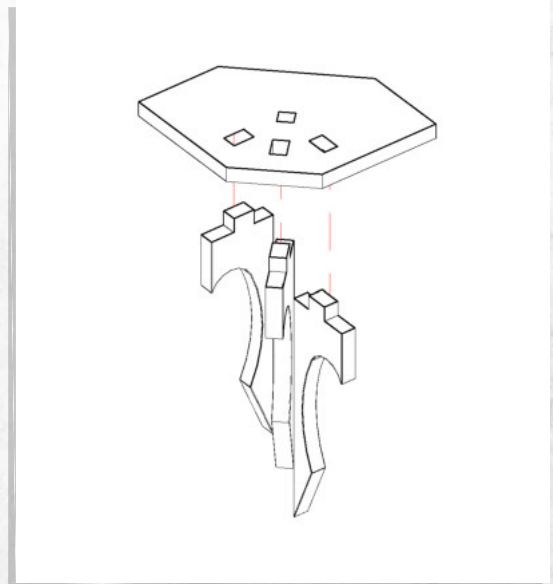
NOTE: Repeat



NOTE: Repeat



NOTE: Repeat



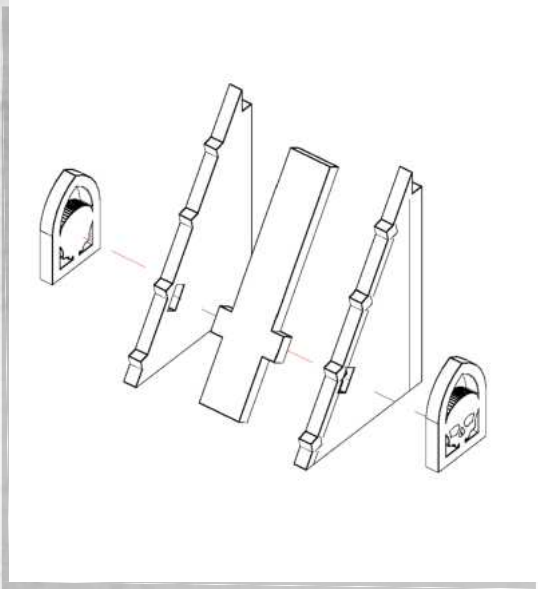
NOTE: Repeat



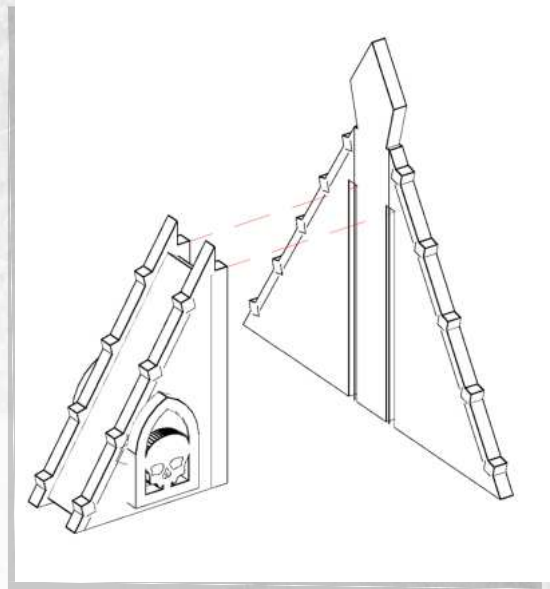
WARCRADLETM
SCENICS

Omega Defence - Barricades - Assembly Guide

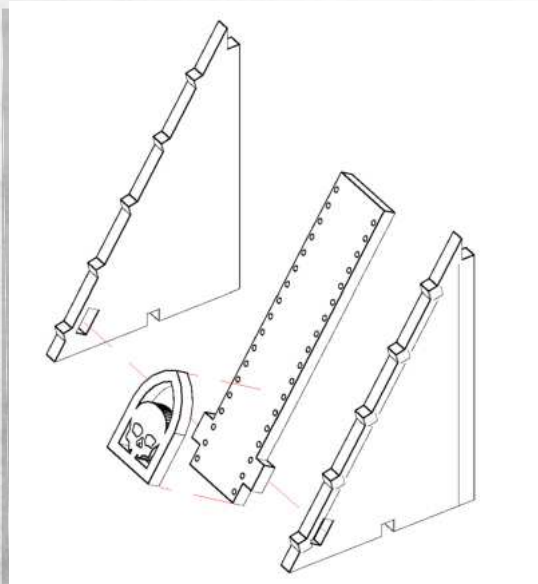
Warning: Pushing parts out by hand may cause damage. Parts may need careful removal from the MDF boards with a scalpel, and light sanding of any rough edges. We recommend testing assembling sections before permanently gluing together.



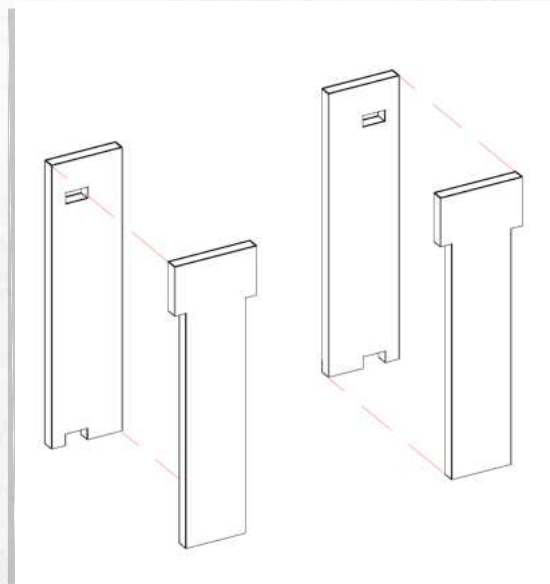
NOTE: Repeat



NOTE: Repeat



NOTE: Repeat for all



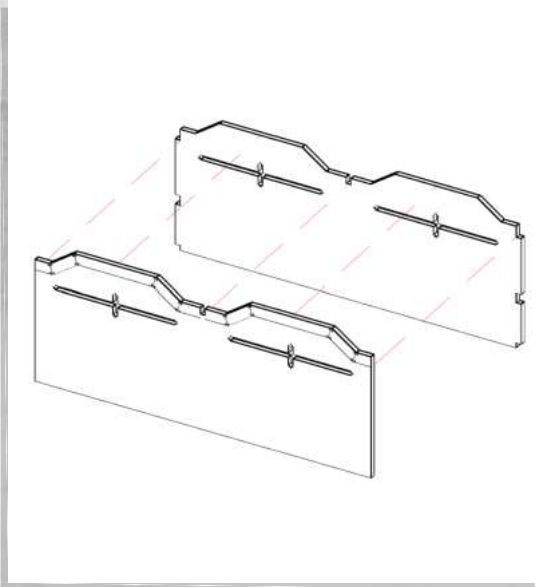
NOTE: Repeat



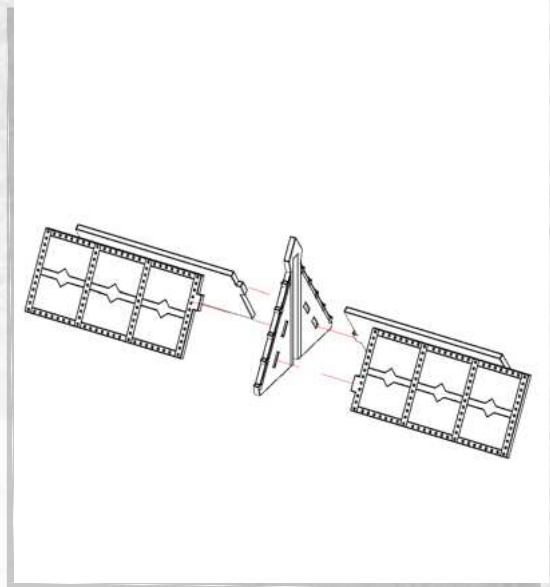
WARCRADLETM
SCENICS

Omega Defence - Barricades - Assembly Guide

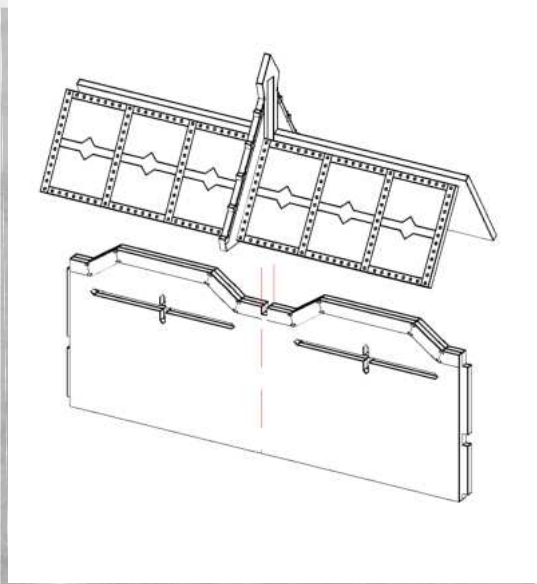
Warning: Pushing parts out by hand may cause damage. Parts may need careful removal from the MDF boards with a scalpel, and light sanding of any rough edges. We recommend testing assembling sections before permanently gluing together.



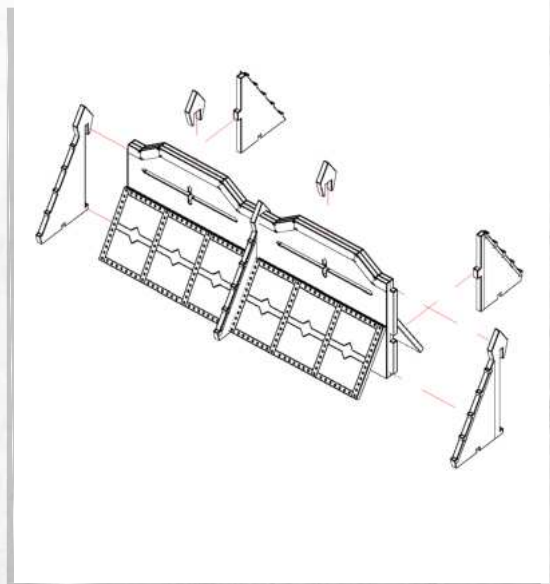
NOTE: Repeat for all



NOTE: Repeat for all



NOTE: Repeat for all



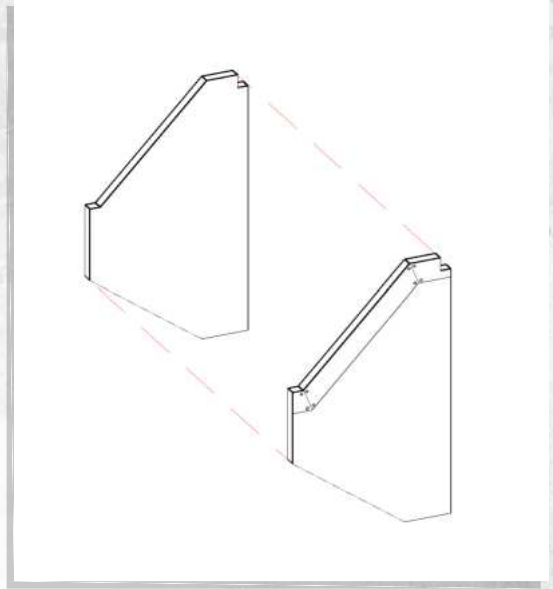
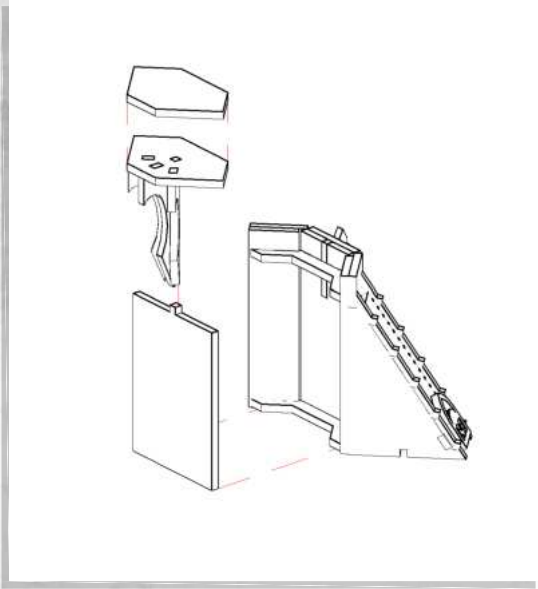
NOTE: Repeat for all



WARCRADLETM
SCENICS

Omega Defence - Barricades - Assembly Guide

Warning: Pushing parts out by hand may cause damage. Parts may need careful removal from the MDF boards with a scalpel, and light sanding of any rough edges. We recommend testing assembling sections before permanently gluing together.



NOTE: Repeat

