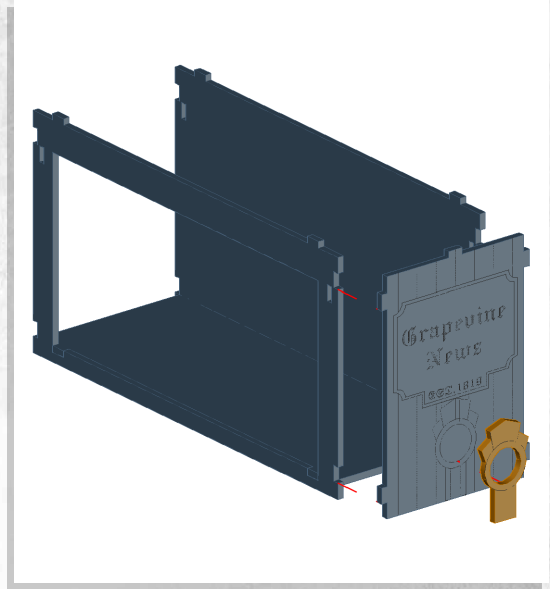
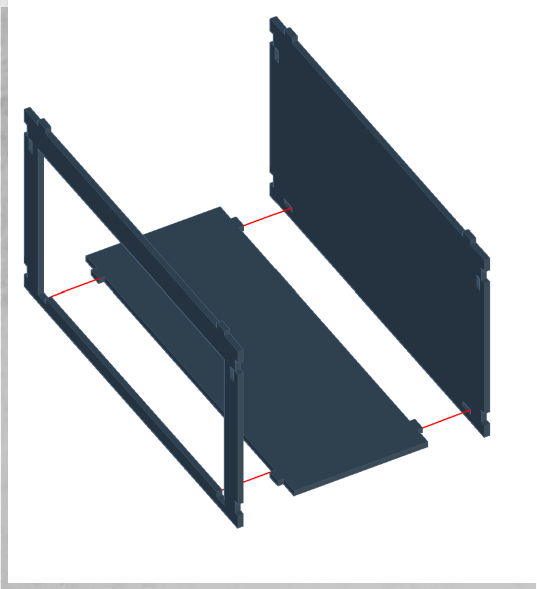




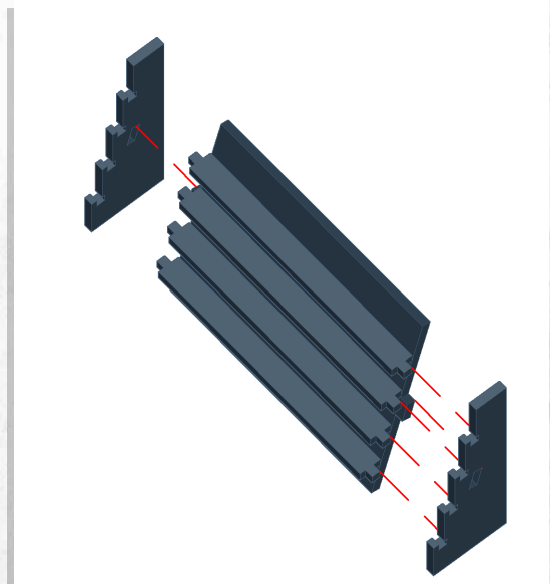
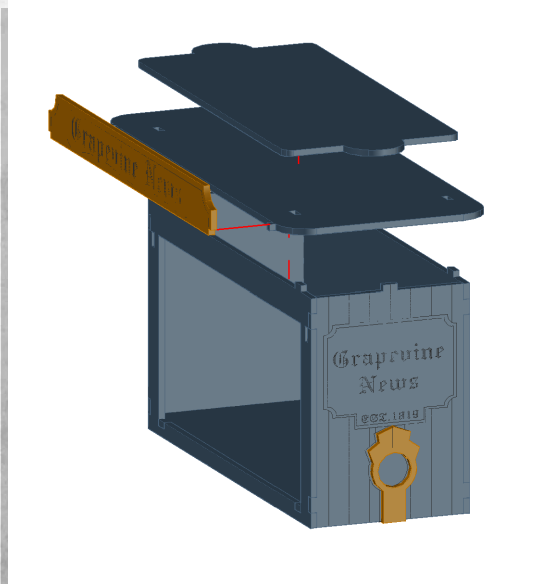
WARCRADLETM
SCENICS

Myskham - Urban Scatter - Assembly Guide

Warning: Pushing parts out by hand may cause damage. Parts may need careful removal from the MDF boards with a scalpel, and light sanding of any rough edges. We recommend testing assembling sections before permanently gluing together.



Note: Repeat for both sides

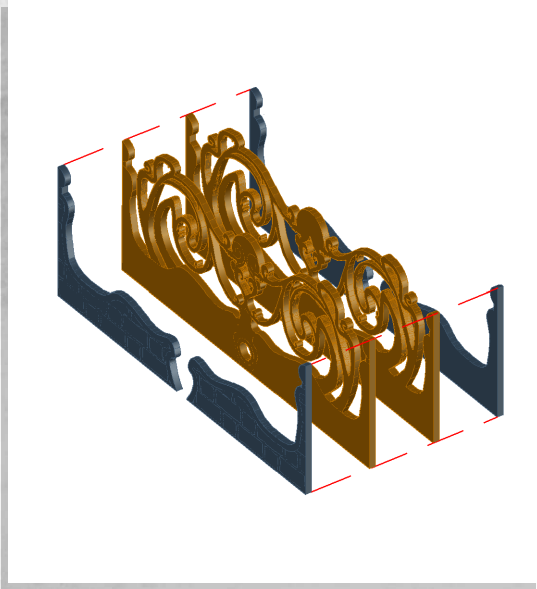




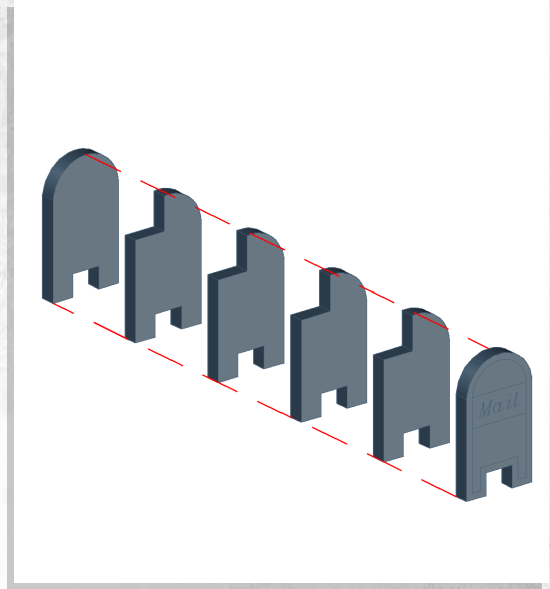
WARCRADLETM
S C E N I C S

Myskham - Urban Scatter - Assembly Guide

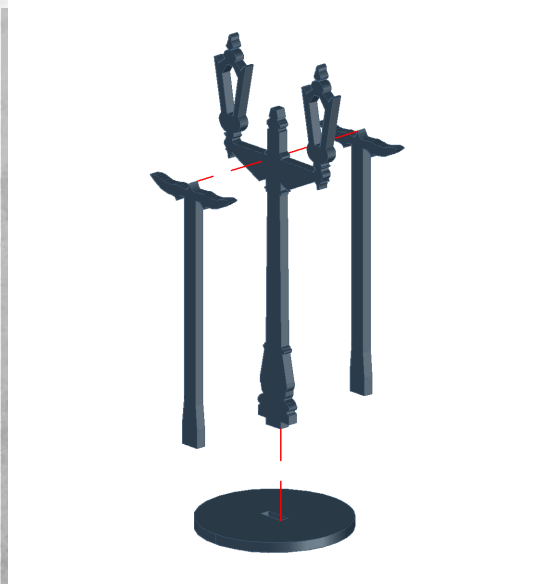
Warning: Pushing parts out by hand may cause damage. Parts may need careful removal from the MDF boards with a scalpel, and light sanding of any rough edges. We recommend testing assembling sections before permanently gluing together.



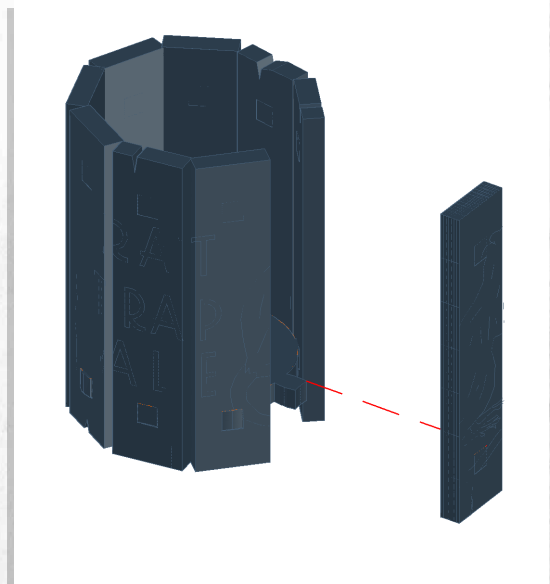
Note: Repeat for all



Note: Repeat for all



Note: Repeat for all



Note: Repeat for all