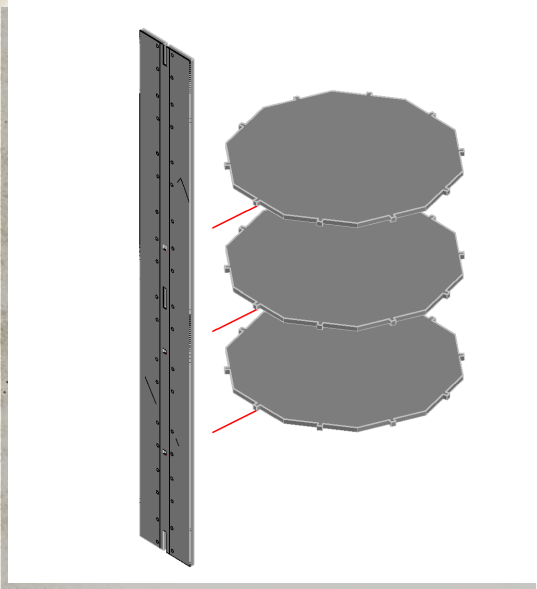




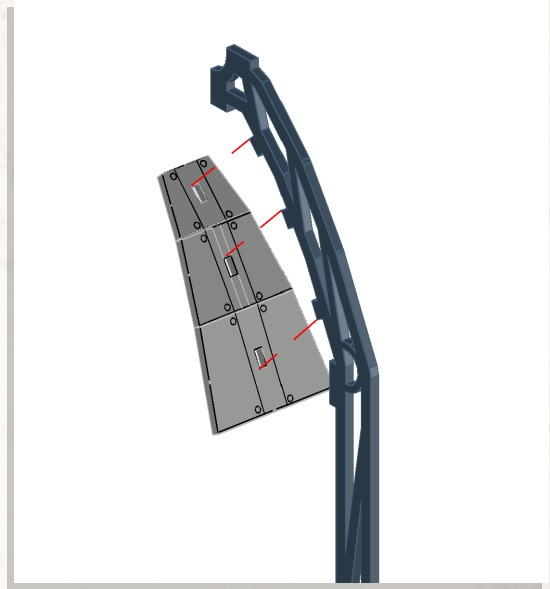
WARCRADLE<sup>TM</sup>  
SCENICS

## Buckhorn Ranch - Silo - Assembly Guide

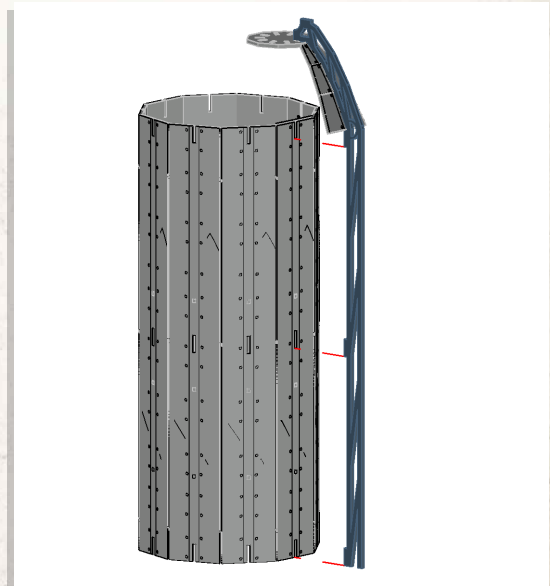
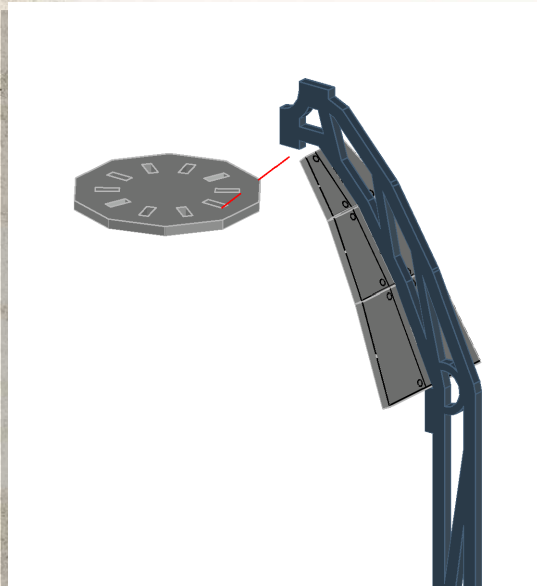
Warning: Pushing parts out by hand may cause damage. Parts may need careful removal from the MDF boards with a scalpel, and light sanding of any rough edges. We recommend testing assembling sections before permanently gluing together.



NOTE: Repeat for all sides



NOTE: Repeat for all

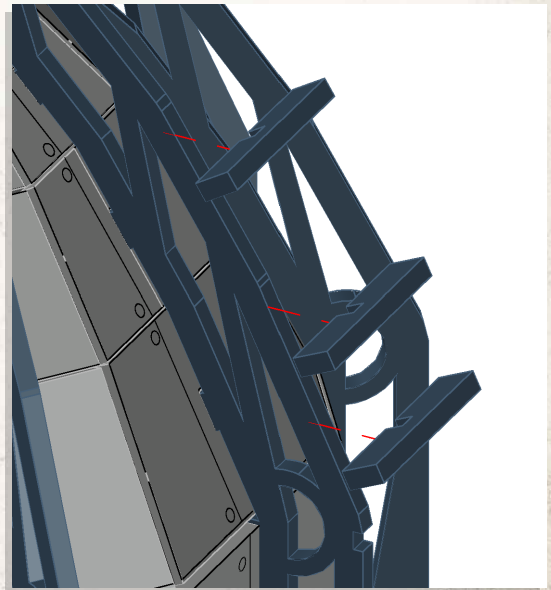
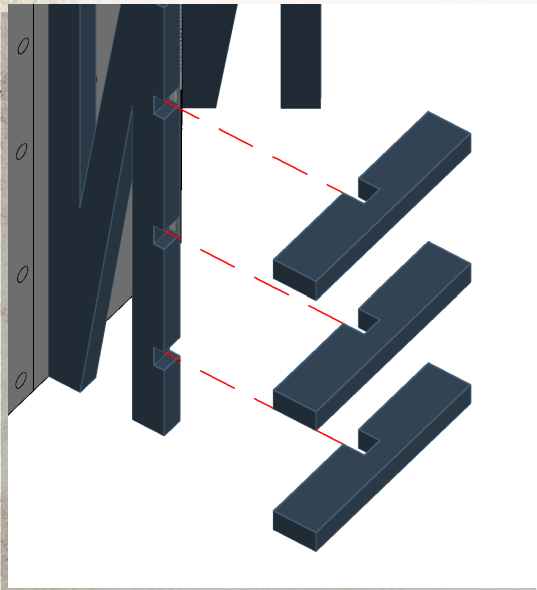
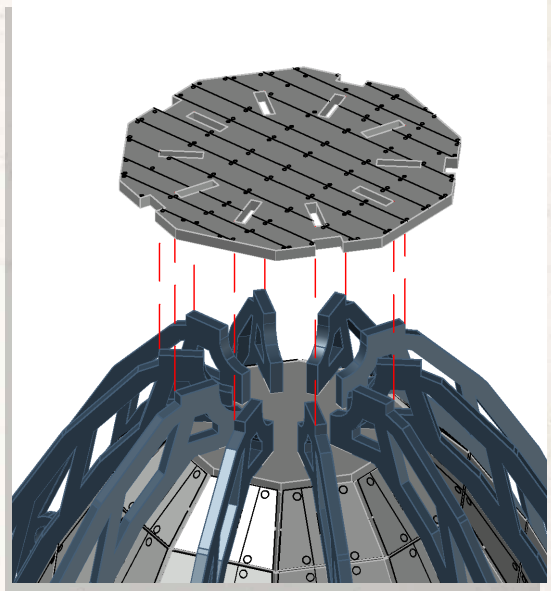
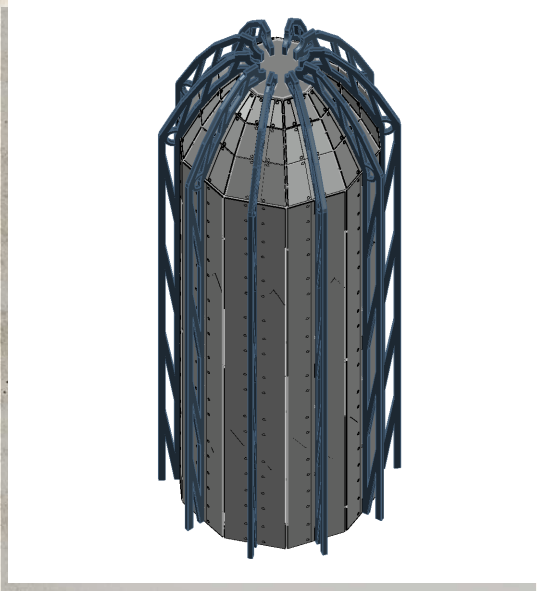




WARCRADLE<sup>TM</sup>  
SCENICS

## Buckhorn Ranch - Silo - Assembly Guide

Warning: Pushing parts out by hand may cause damage. Parts may need careful removal from the MDF boards with a scalpel, and light sanding of any rough edges. We recommend testing assembling sections before permanently gluing together.

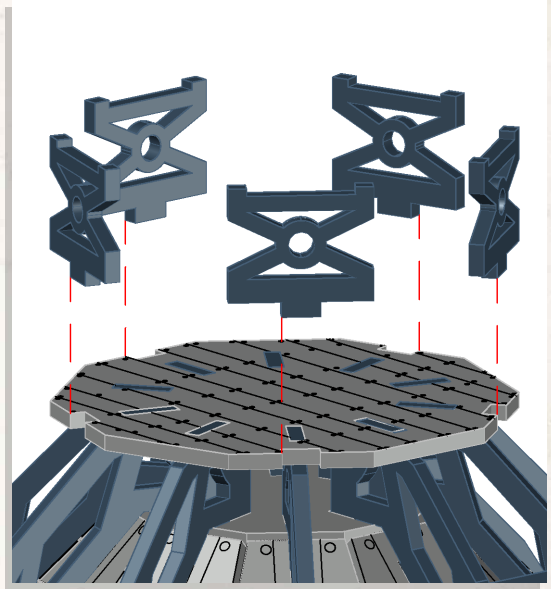
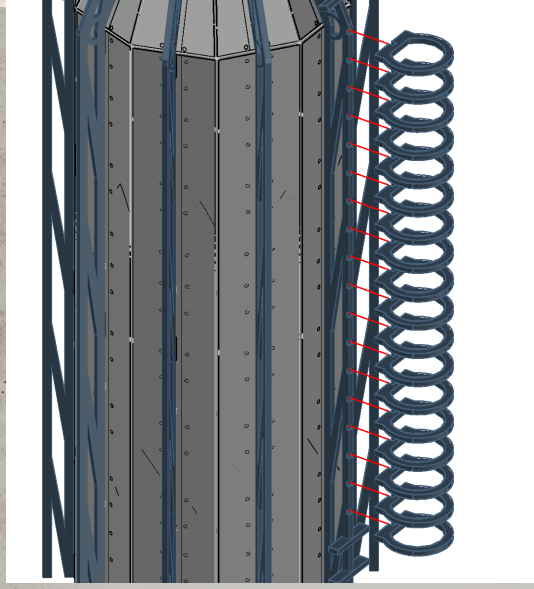




WARCRADLE<sup>TM</sup>  
SCENICS

## Buckhorn Ranch - Silo - Assembly Guide

Warning: Pushing parts out by hand may cause damage. Parts may need careful removal from the MDF boards with a scalpel, and light sanding of any rough edges. We recommend testing assembling sections before permanently gluing together.



NOTE: Repeat for all

