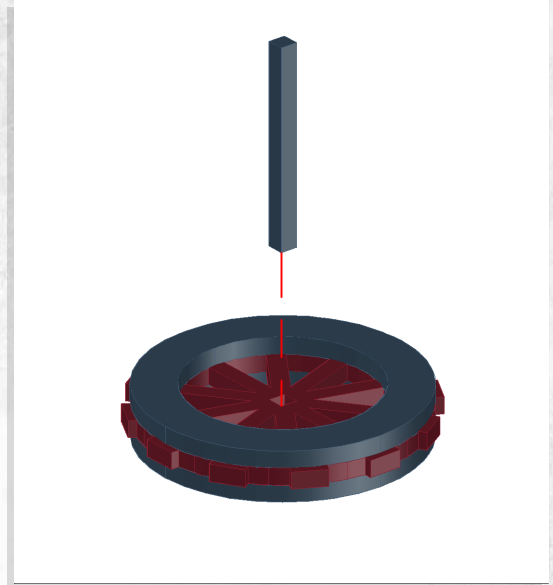
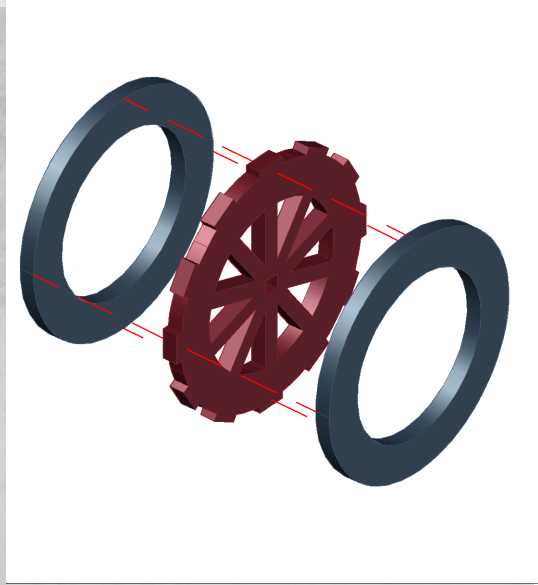
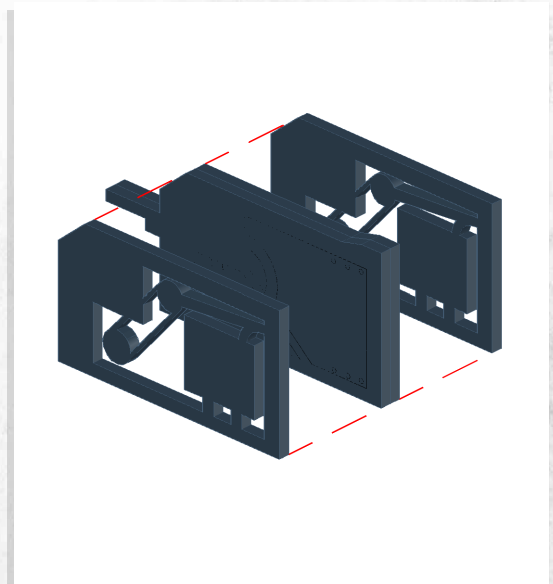
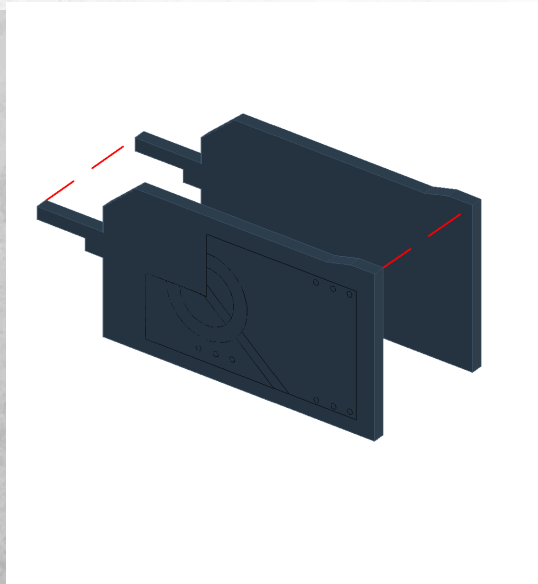


## Normandy Farm - Farmyard Scatter - Assembly Guide

Warning: Pushing parts out by hand may cause damage. Parts may need careful removal from the MDF boards with a scalpel, and light sanding of any rough edges. We recommend testing assembling sections before permanently gluing together.



NOTE: Repeat for both

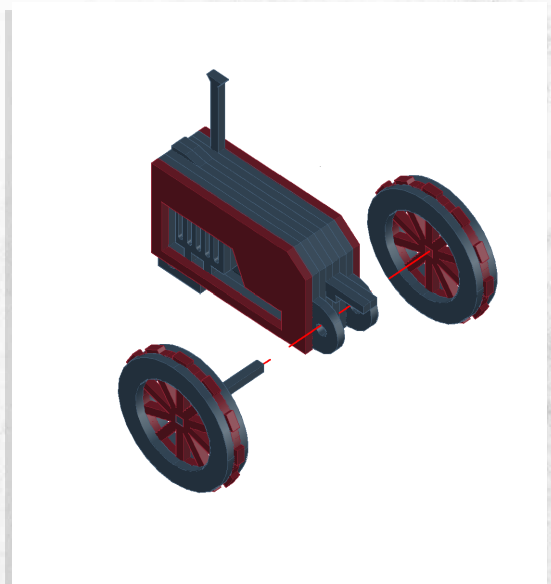
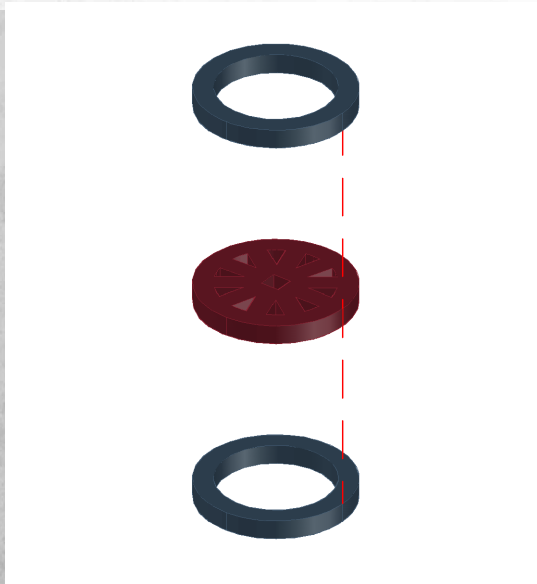
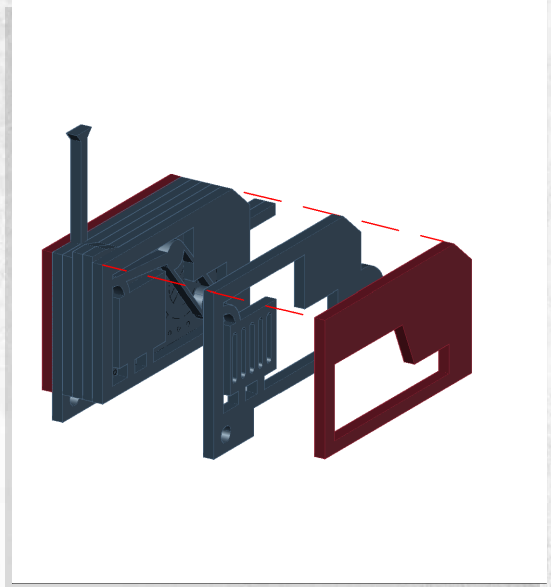
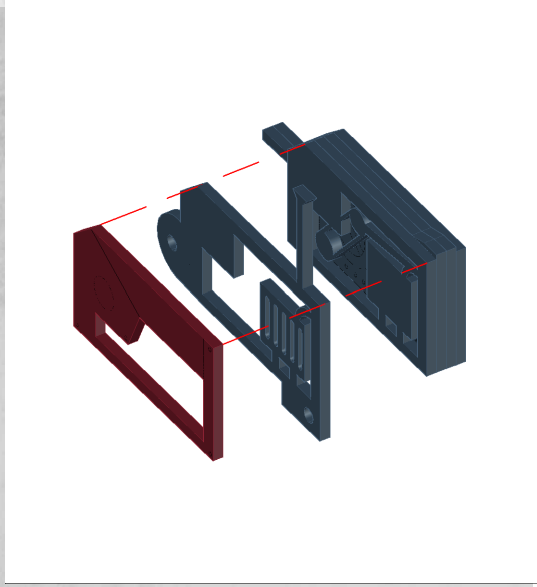




WARCRADLE<sup>TM</sup>  
SCENICS

## Normandy Farm - Farmyard Scatter - Assembly Guide

Warning: Pushing parts out by hand may cause damage. Parts may need careful removal from the MDF boards with a scalpel, and light sanding of any rough edges. We recommend testing assembling sections before permanently gluing together.



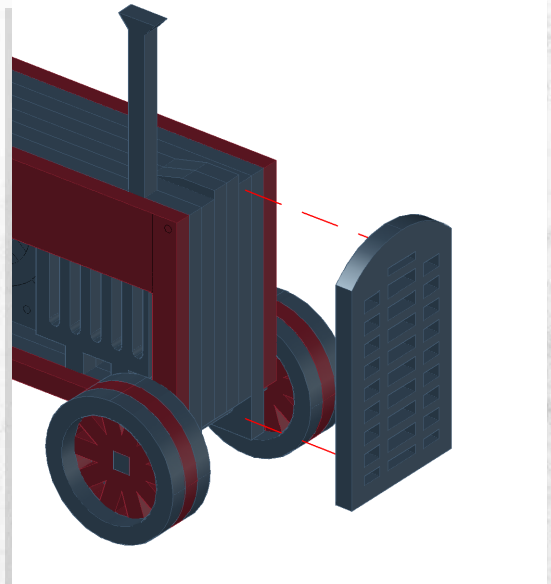
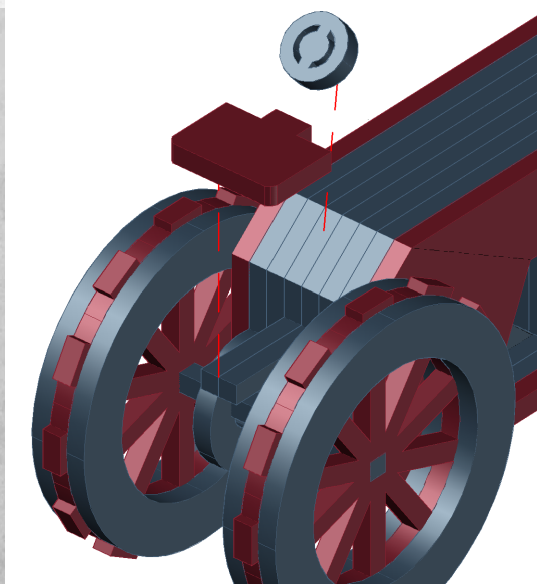
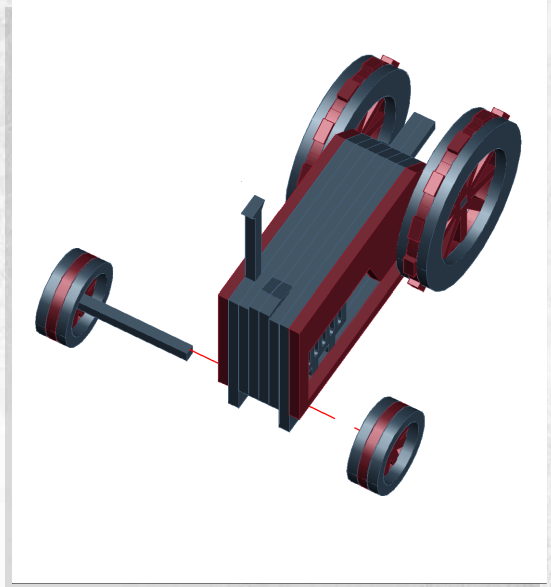
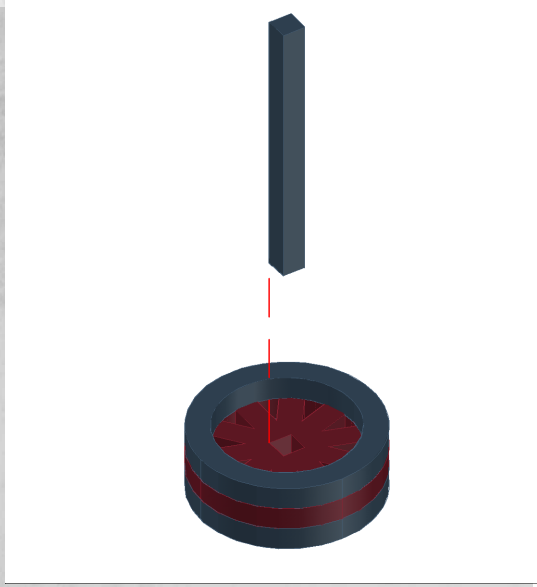
NOTE: Repeat for both



WARCRADLE<sup>TM</sup>  
SCENICS

## Normandy Farm - Farmyard Scatter - Assembly Guide

Warning: Pushing parts out by hand may cause damage. Parts may need careful removal from the MDF boards with a scalpel, and light sanding of any rough edges. We recommend testing assembling sections before permanently gluing together.

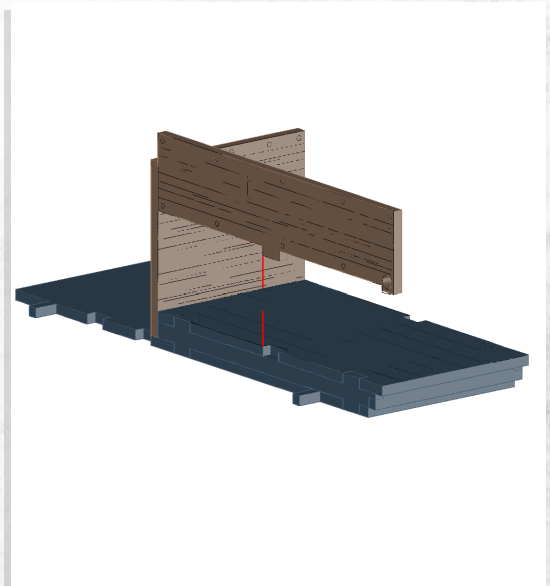
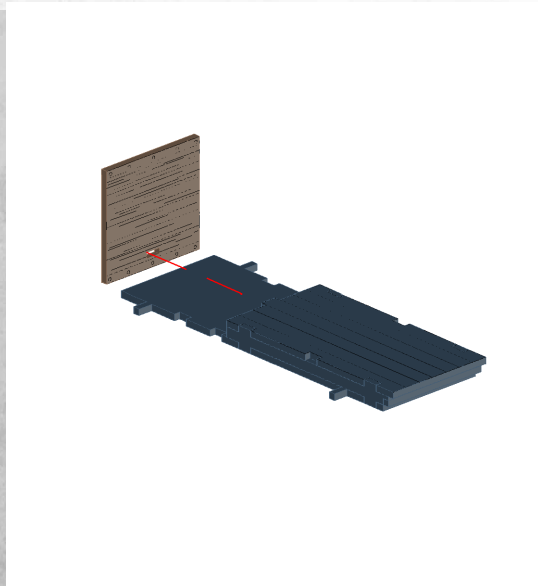
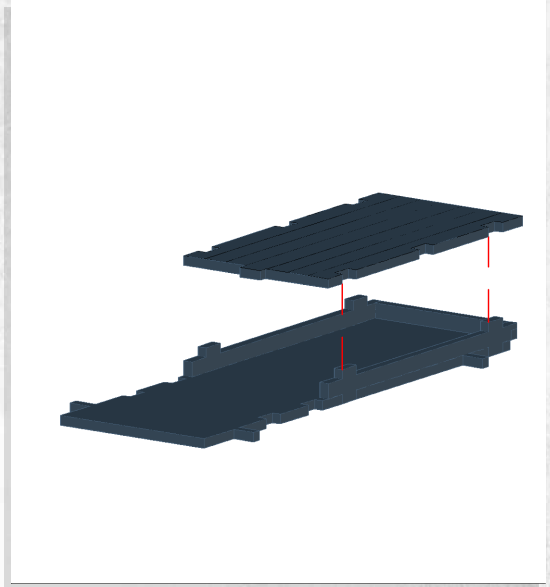
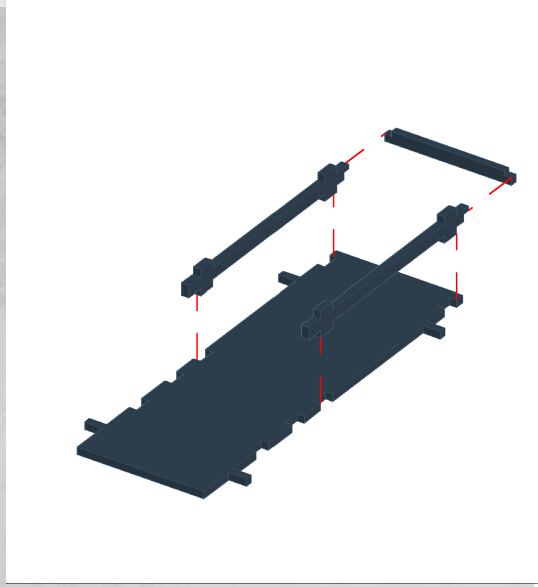




WARCRADLE<sup>TM</sup>  
SCENICS

## Normandy Farm - Farmyard Scatter - Assembly Guide

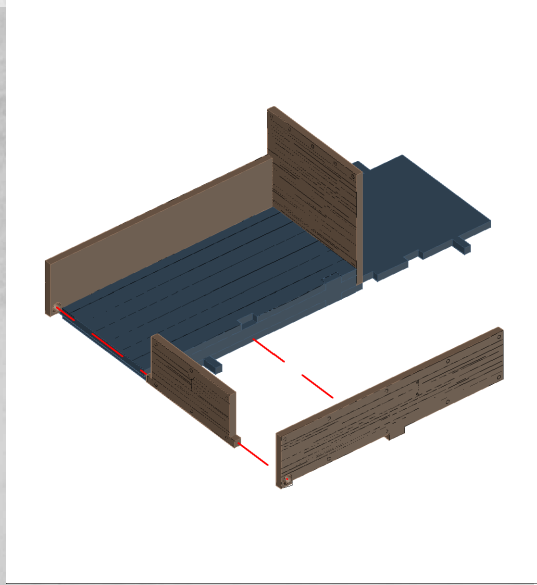
Warning: Pushing parts out by hand may cause damage. Parts may need careful removal from the MDF boards with a scalpel, and light sanding of any rough edges. We recommend testing assembling sections before permanently gluing together.



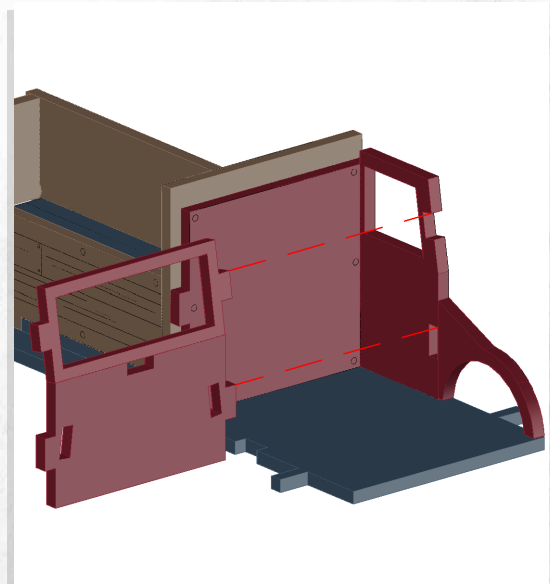
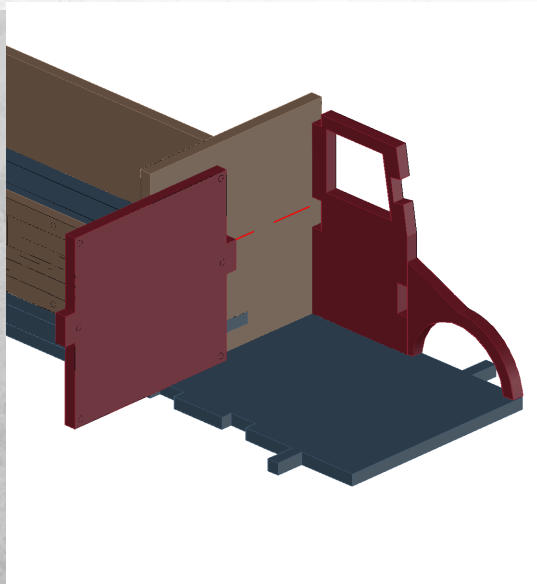


## Normandy Farm - Farmyard Scatter - Assembly Guide

Warning: Pushing parts out by hand may cause damage. Parts may need careful removal from the MDF boards with a scalpel, and light sanding of any rough edges. We recommend testing assembling sections before permanently gluing together.



NOTE: DO NOT glue hatch

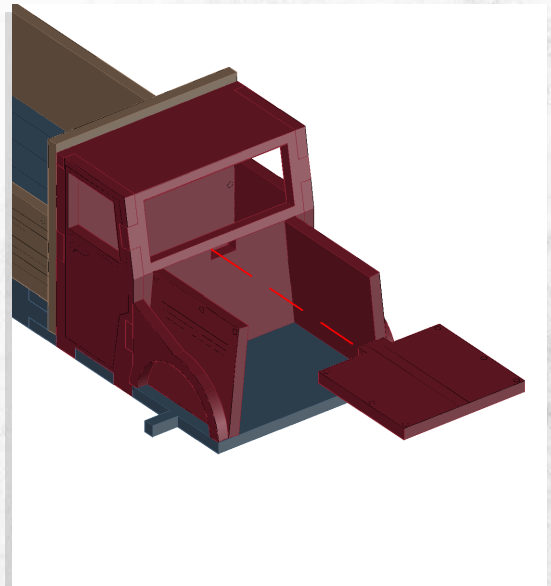
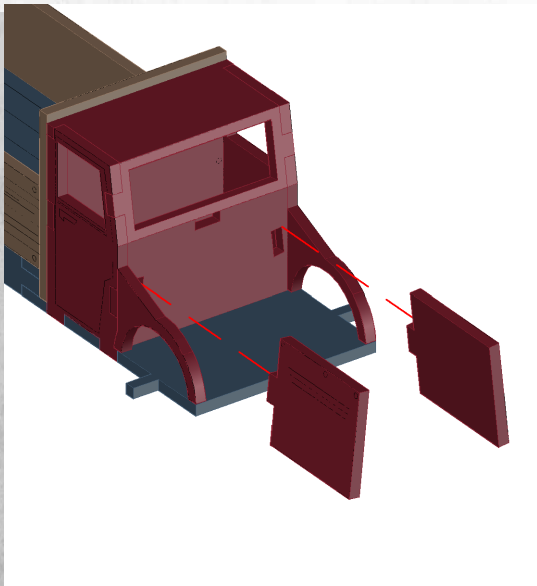
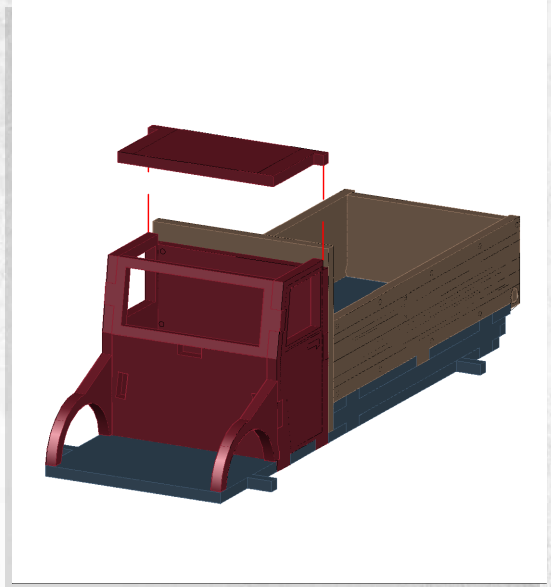
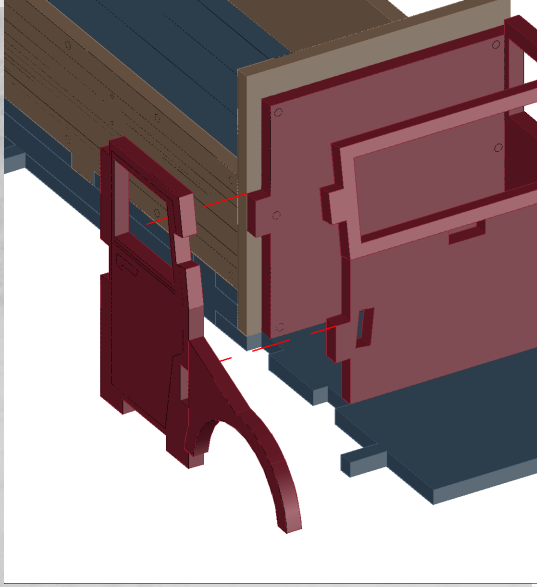




WARCRADLE<sup>TM</sup>  
SCENICS

## Normandy Farm - Farmyard Scatter - Assembly Guide

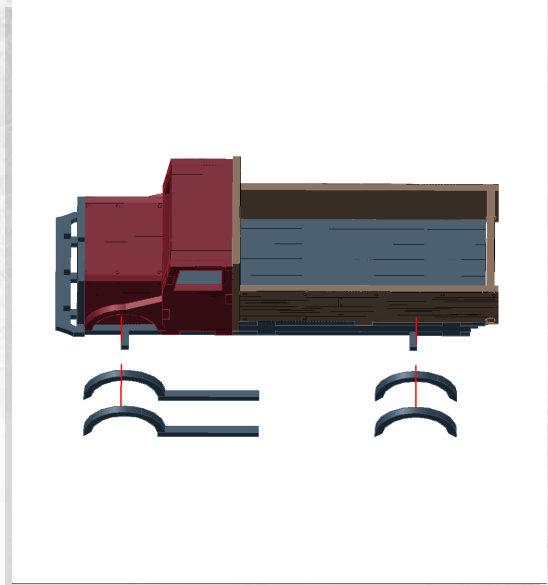
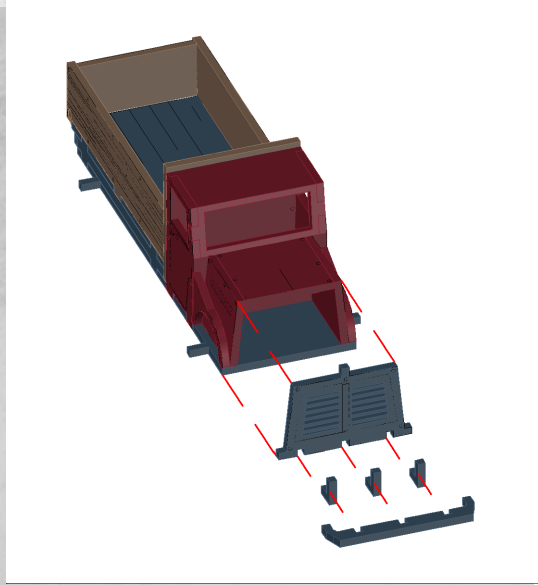
Warning: Pushing parts out by hand may cause damage. Parts may need careful removal from the MDF boards with a scalpel, and light sanding of any rough edges. We recommend testing assembling sections before permanently gluing together.



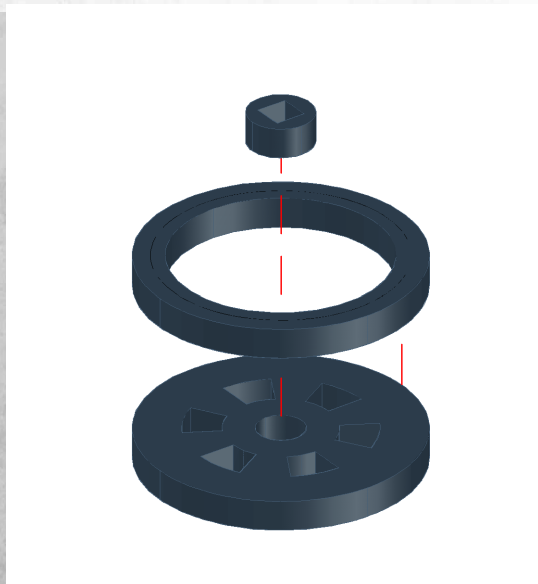


## Normandy Farm - Farmyard Scatter - Assembly Guide

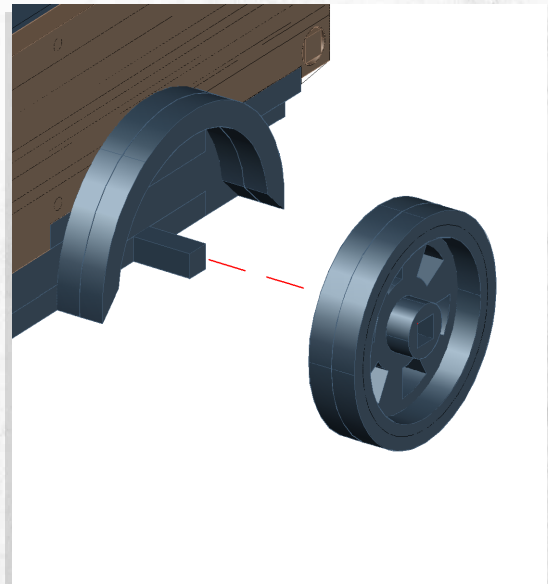
Warning: Pushing parts out by hand may cause damage. Parts may need careful removal from the MDF boards with a scalpel, and light sanding of any rough edges. We recommend testing assembling sections before permanently gluing together.



NOTE: Repeat for both



NOTE: Repeat for both

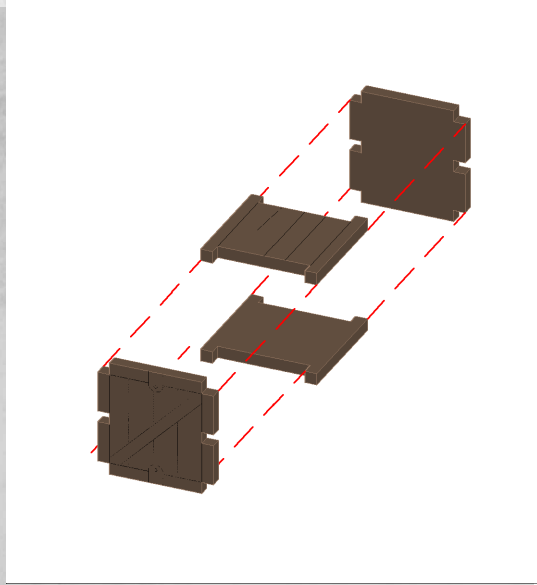


NOTE: Repeat for both all wheels,  
make sure wheel can turn

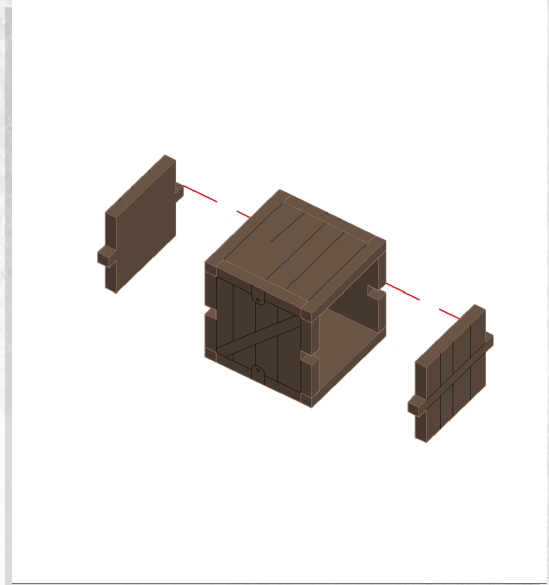


## Normandy Farm - Farmyard Scatter - Assembly Guide

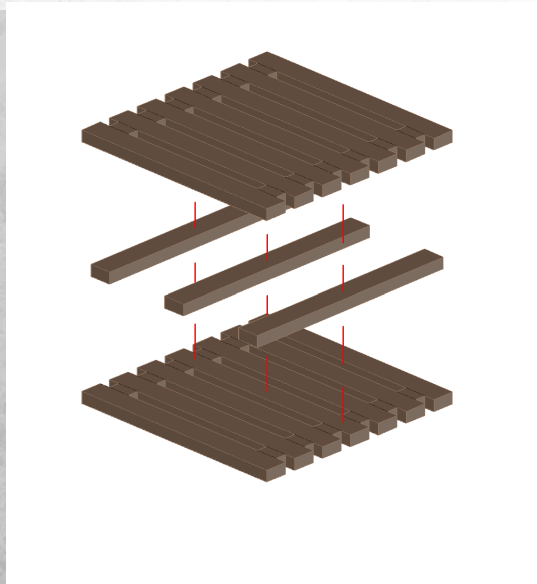
Warning: Pushing parts out by hand may cause damage. Parts may need careful removal from the MDF boards with a scalpel, and light sanding of any rough edges. We recommend testing assembling sections before permanently gluing together.



NOTE: Repeat for all



NOTE: Repeat for all



NOTE: Repeat for all