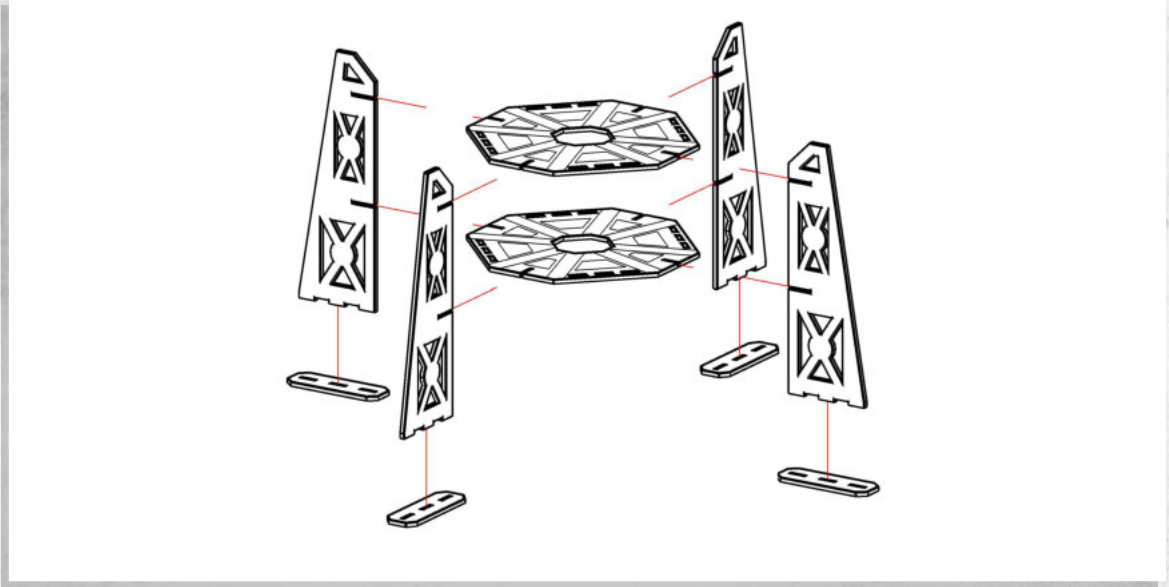


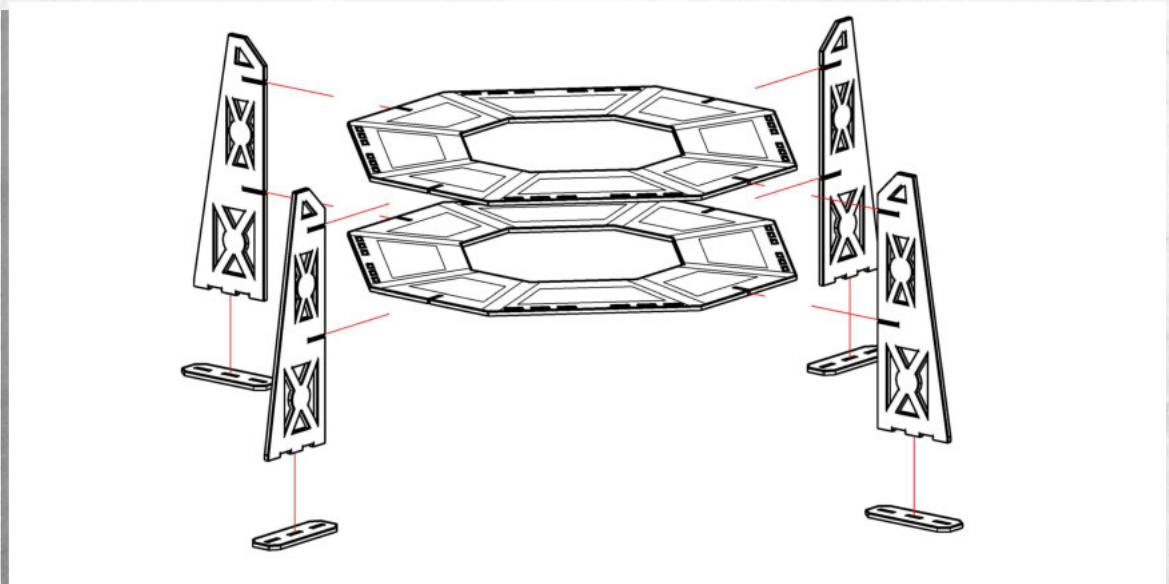


## Complex Red 2 Storey Tower Set - Assembly Guide

Parts may need careful removal from the MDF boards with a scalpel, and light sanding of any rough edges. We recommend testing assembling sections before permanently gluing together.



Tower 1 Assembly



Tower 2 Assembly