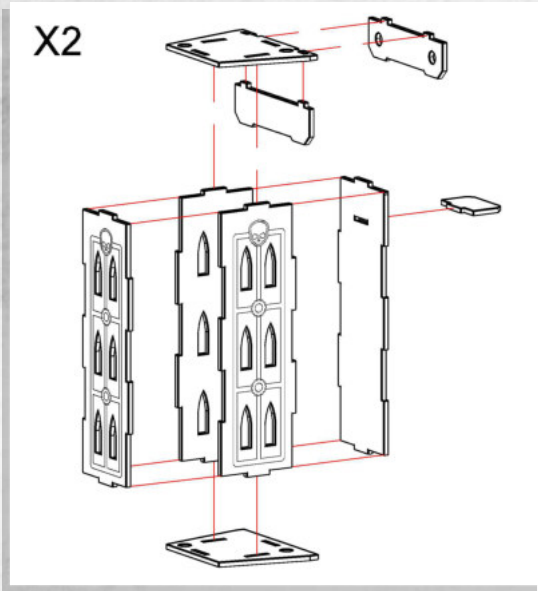


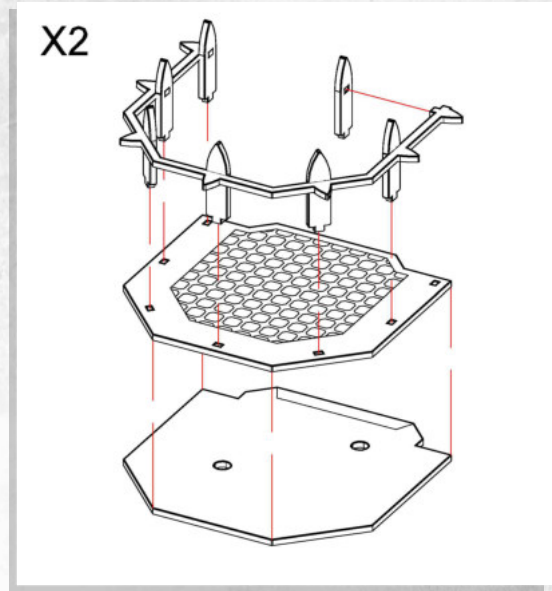


## Dark Assembly Outpost - Assembly Guide

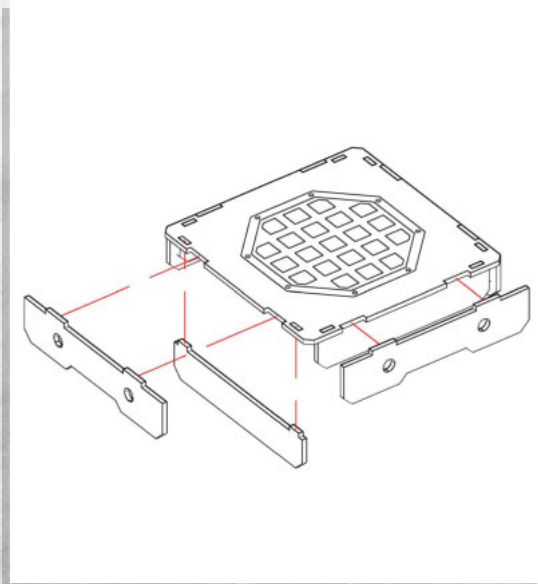
Parts may need careful removal from the MDF boards with a scalpel, and light sanding of any rough edges. We recommend testing assembling sections before permanently gluing together.



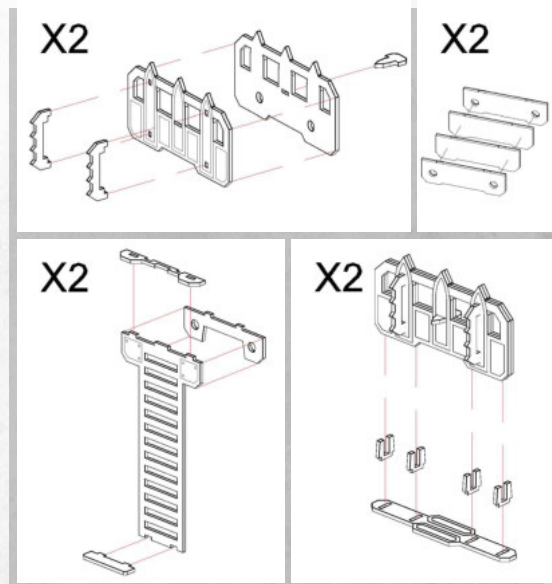
Tower Assembly



Tower Topper Assembly



Small Platform Assembly



Accessory Assembly

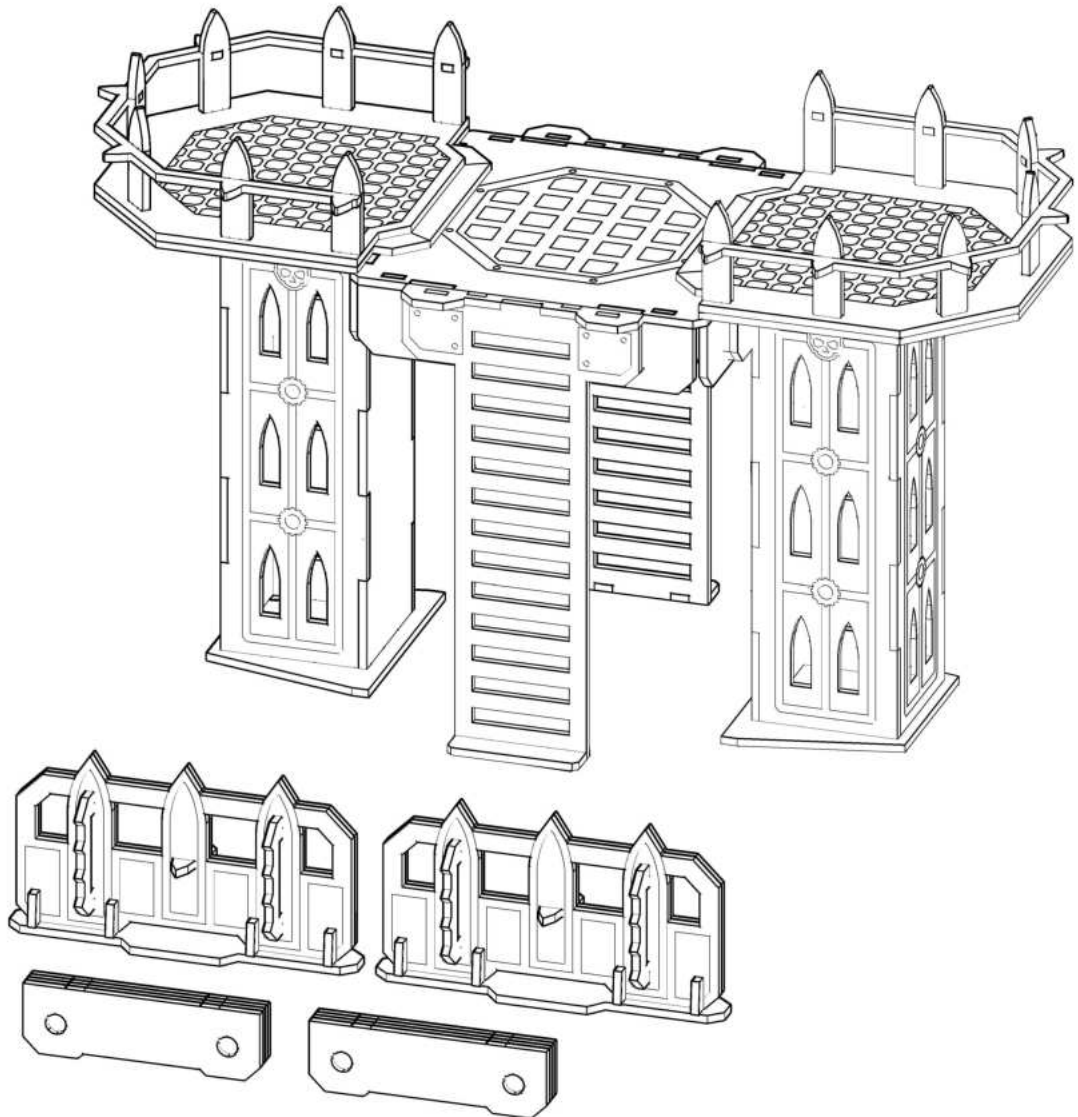
- Barrier x 2
- Magnet Polarity Adapter x2
- Ladders x 2
- Barrier Stand x 2



WARCRADLE<sup>TM</sup>  
SCENICS

## Dark Assembly Outpost - Assembly Guide

Parts may need careful removal from the MDF boards with a scalpel, and light sanding of any rough edges. We recommend testing assembling sections before permanently gluing together.



### Example Configuration

The individual components may be glued in a fixed configuration, or alternatively can be magnetized with 5x2mm magnets using the provided holes.



WARCRADLE<sup>TM</sup>  
STUDIOS

WARCRADLE STUDIOS IS A TRADING NAME OF WAYLAND GAMES LIMITED.  
ILLUSTRATIONS AND DESIGNS ARE COPYRIGHT © 2019 WAYLAND GAMES LIMITED. ASSEMBLED IN THE UK.