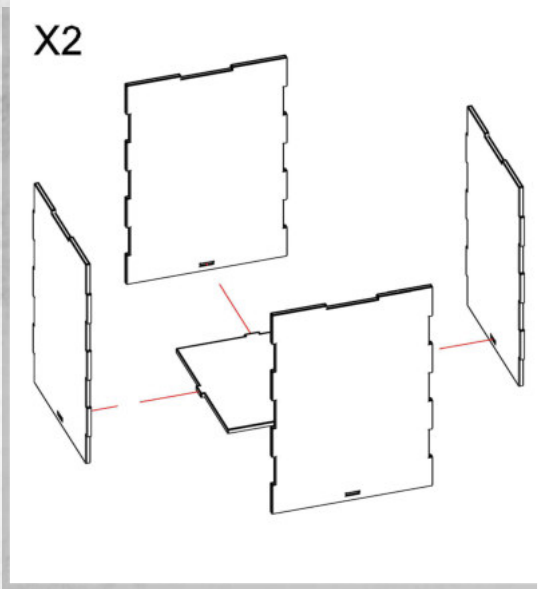


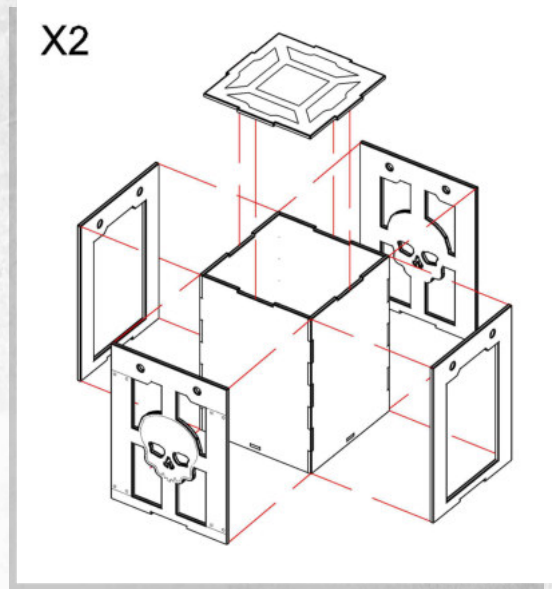


Dark Assembly Wall - Assembly Guide

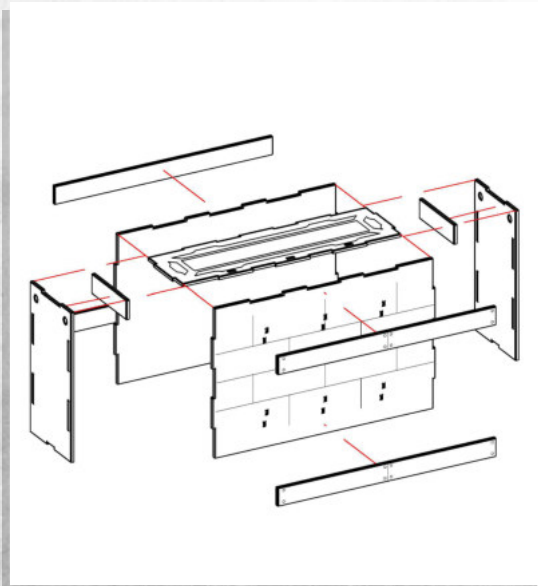
Parts may need careful removal from the MDF boards with a scalpel, and light sanding of any rough edges. We recommend testing assembling sections before permanently gluing together.



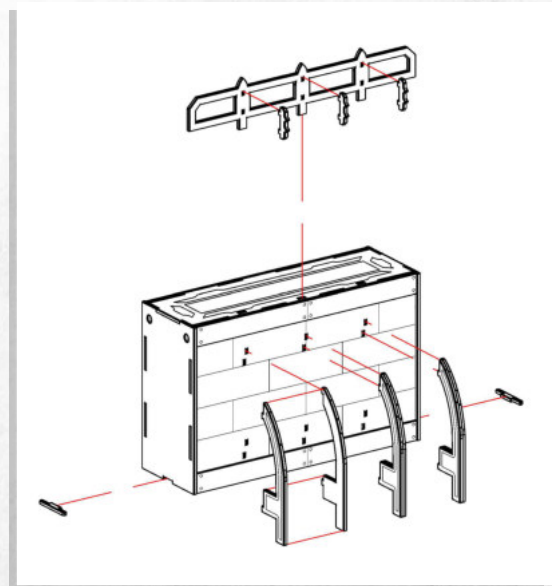
Tower Assembly 1



Tower Assembly 2



Wall Assembly 1

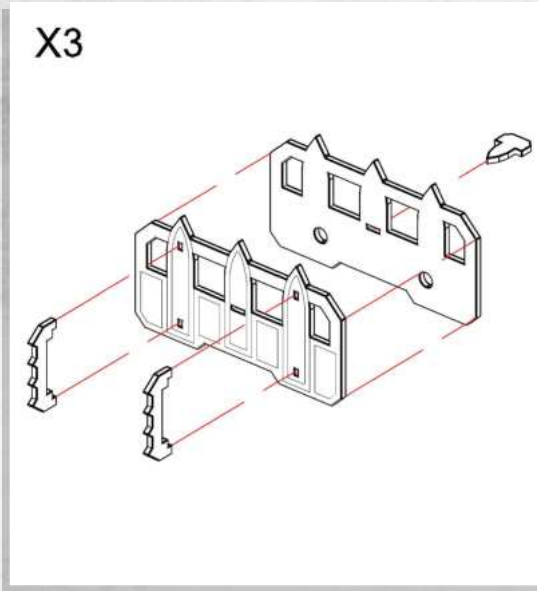


Wall Assembly 2

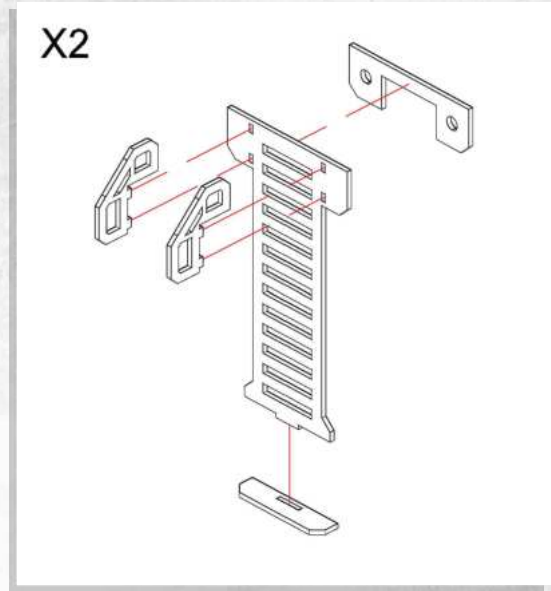


Dark Assembly Wall - Assembly Guide

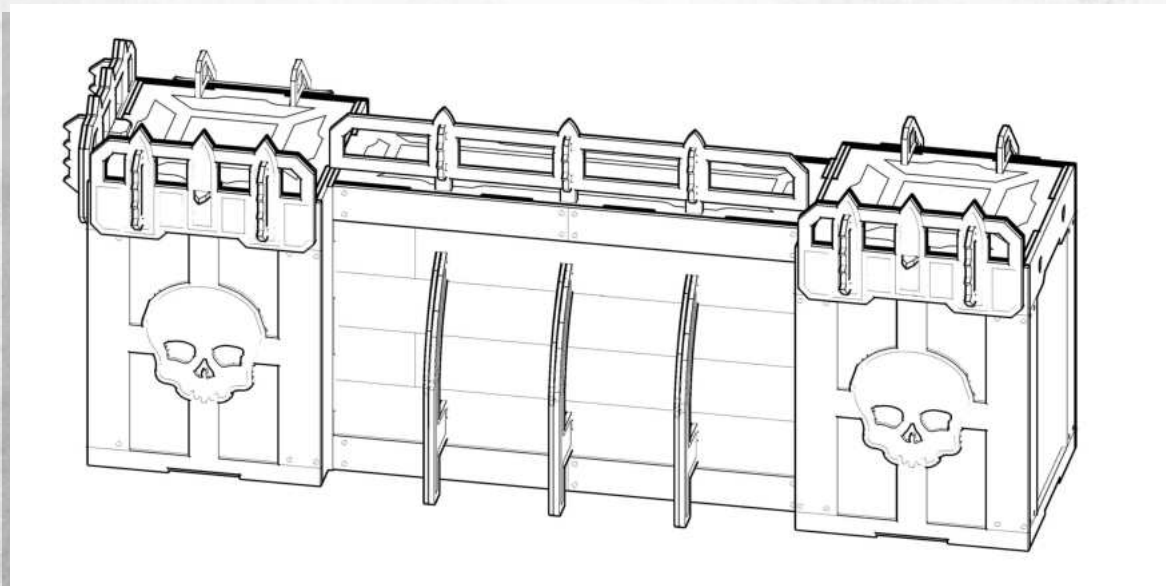
Parts may need careful removal from the MDF boards with a scalpel, and light sanding of any rough edges. We recommend testing assembling sections before permanently gluing together.



Barrier Assembly



Ladder Assembly



Example Configuration

The individual components may be glued in a fixed configuration, or alternatively can be magnetized with 5x2mm magnets using the provided holes.

