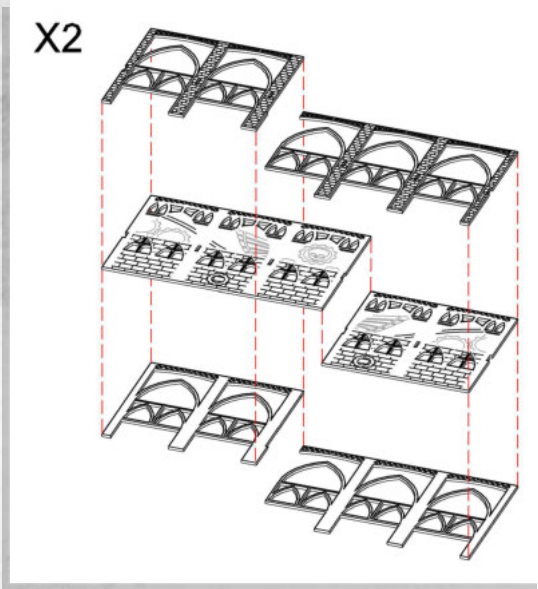


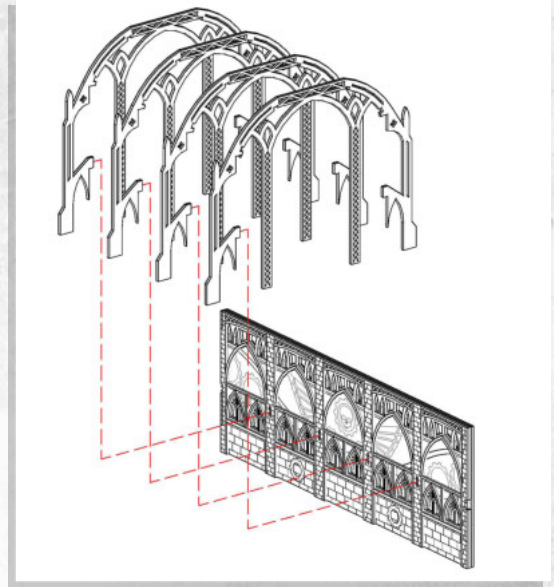


Dark Assembly 8mm Factory - Assembly Guide

Parts may need careful removal from the MDF boards with a scalpel, and light sanding of any rough edges. We recommend testing assembling sections before permanently gluing together.

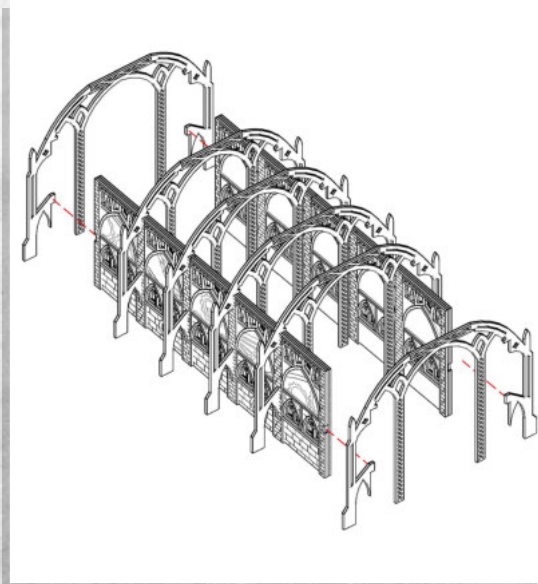


Factory Assembly 1

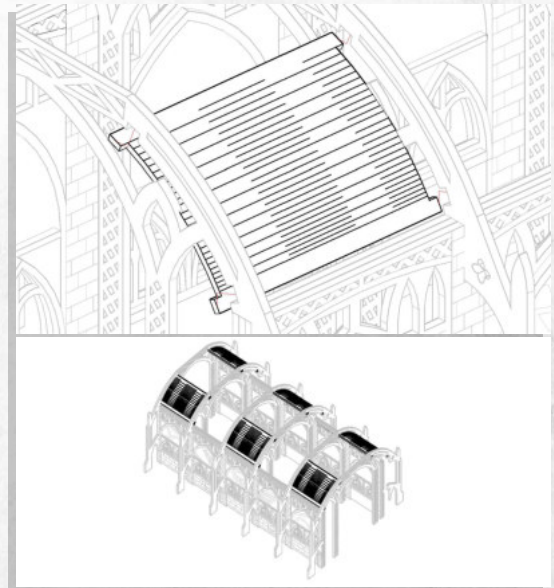


Factory Assembly 2

- Repeat for the other wall section created in step 1.



Factory Assembly 3



Factory Assembly 4

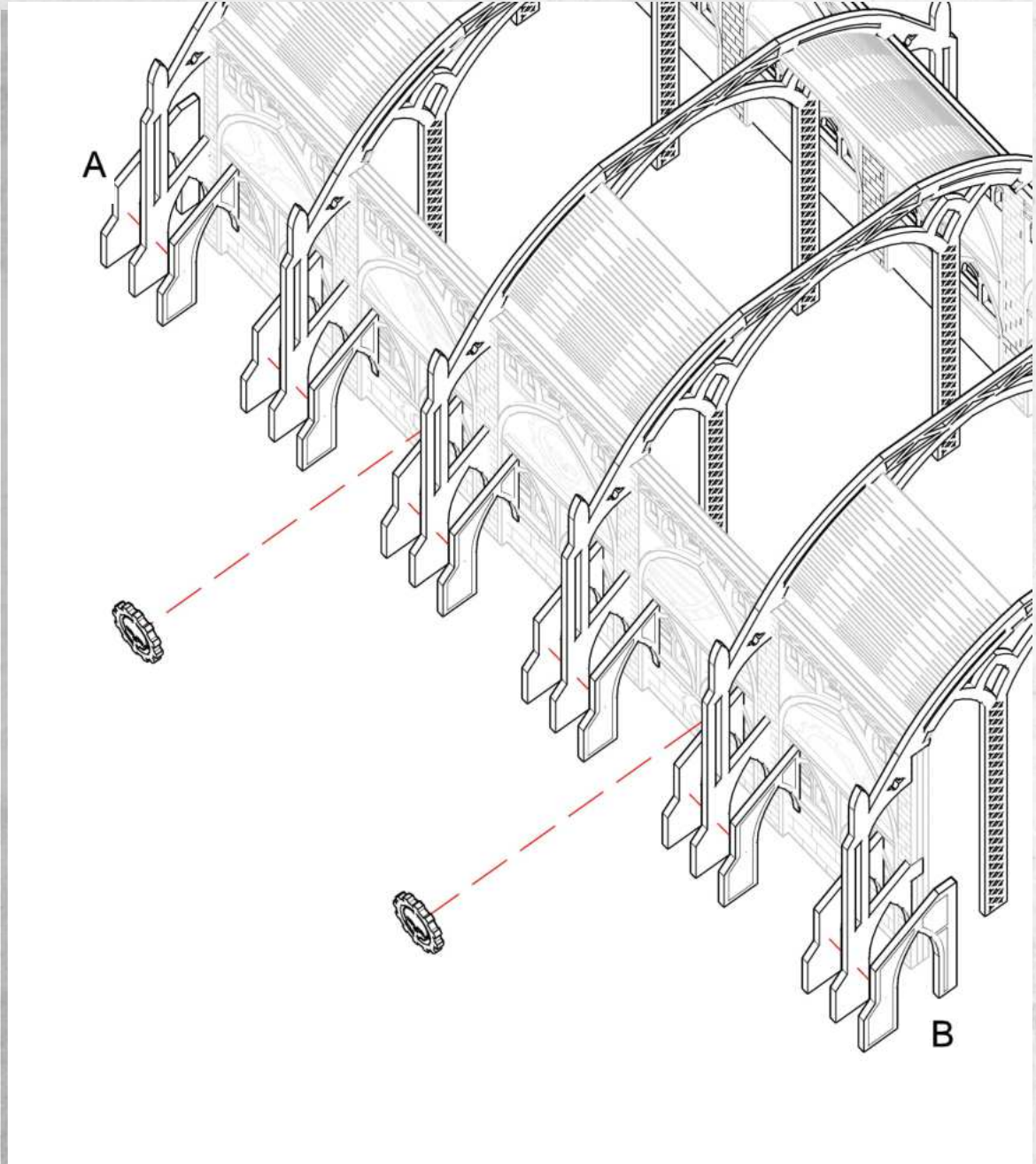
- Place all 6 roof sections as shown above.





Dark Assembly 8mm Factory - Assembly Guide

Parts may need careful removal from the MDF boards with a scalpel, and light sanding of any rough edges. We recommend testing assembling sections before permanently gluing together.



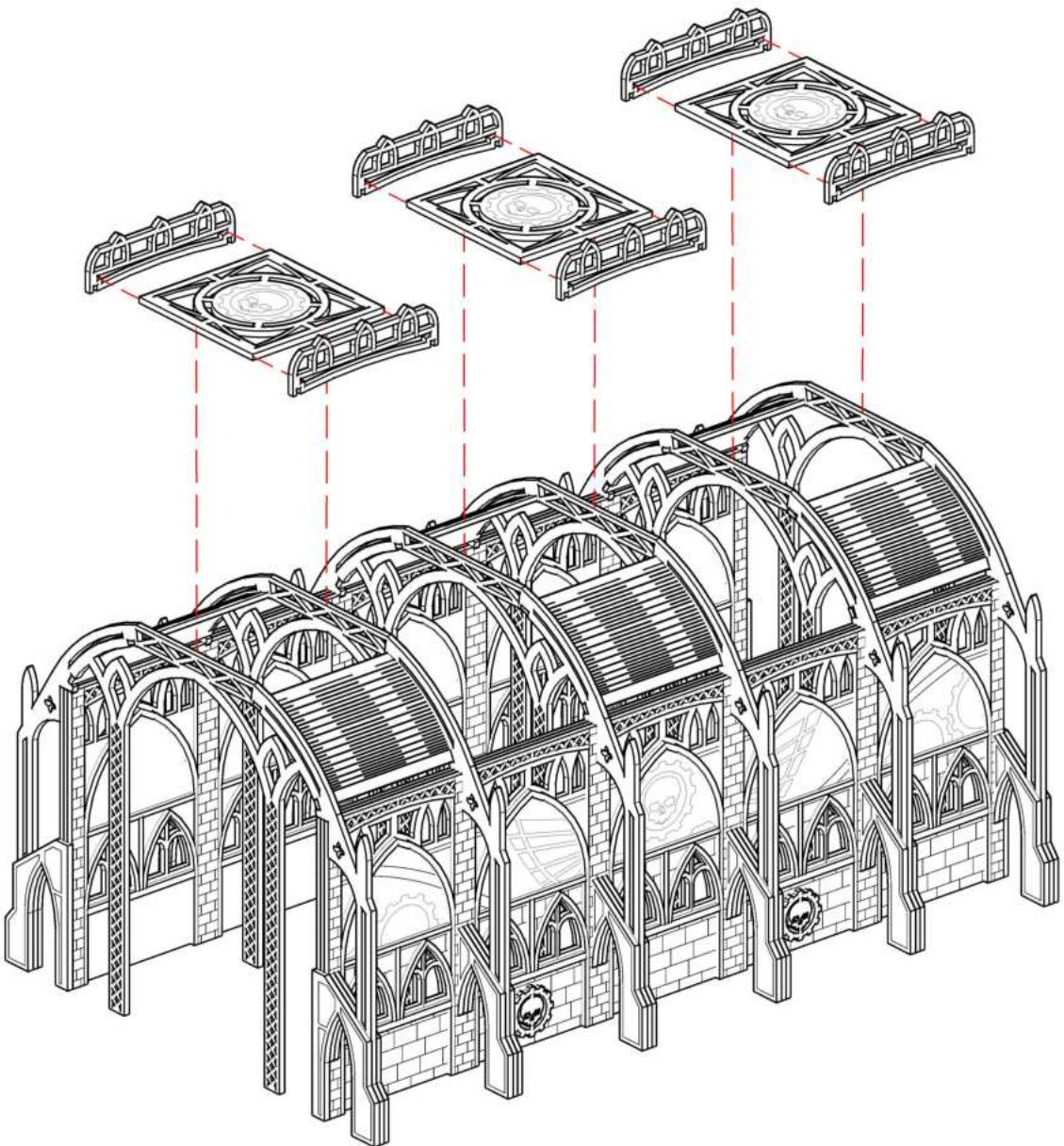
Factory Assembly 5

- Ensure parts A and B are placed as shown.
 - Repeat on the other side.



Dark Assembly 8mm Factory - Assembly Guide

Parts may need careful removal from the MDF boards with a scalpel, and light sanding of any rough edges. We recommend testing assembling sections before permanently gluing together.



Factory Assembly 6

- Once the platforms are glued, they can be slotted on the roof (suggestion shown) without gluing.