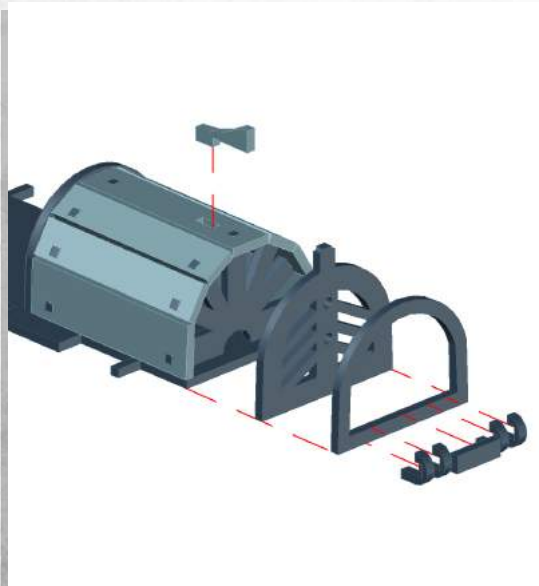
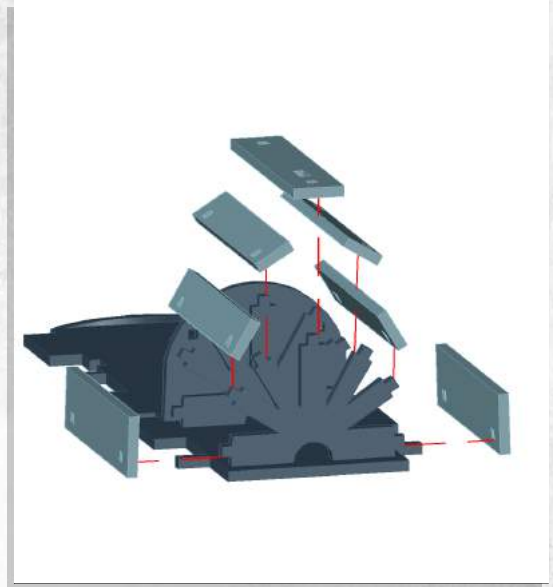
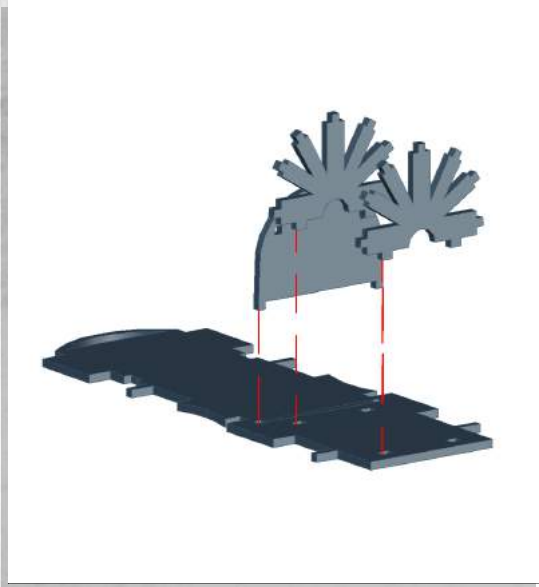




WARCRADLE<sup>TM</sup>  
SCENICS

## Myskham - Automobile - Assembly Guide

Warning: Pushing parts out by hand may cause damage. Parts may need careful removal from the MDF boards with a scalpel, and light sanding of any rough edges. We recommend testing assembling sections before permanently gluing together.

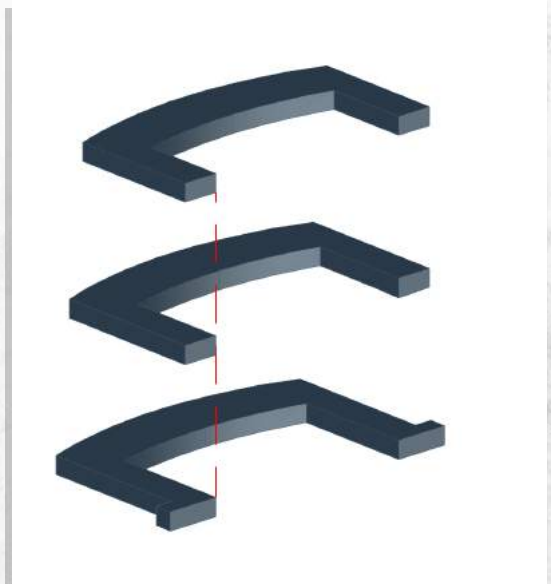
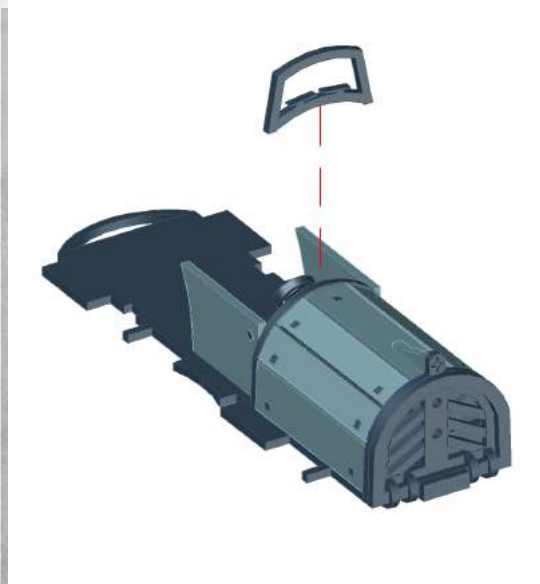
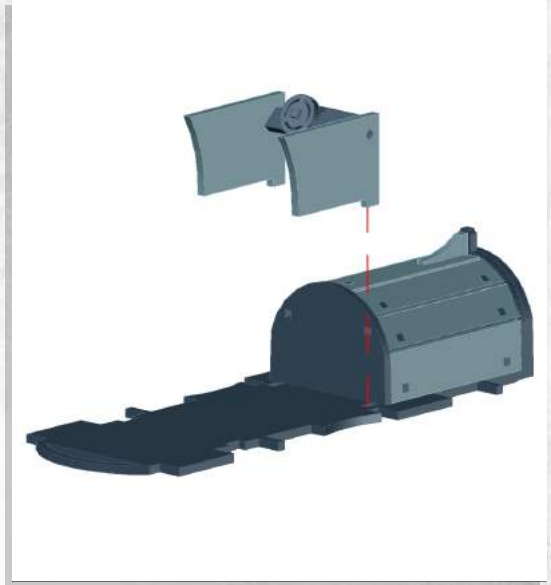
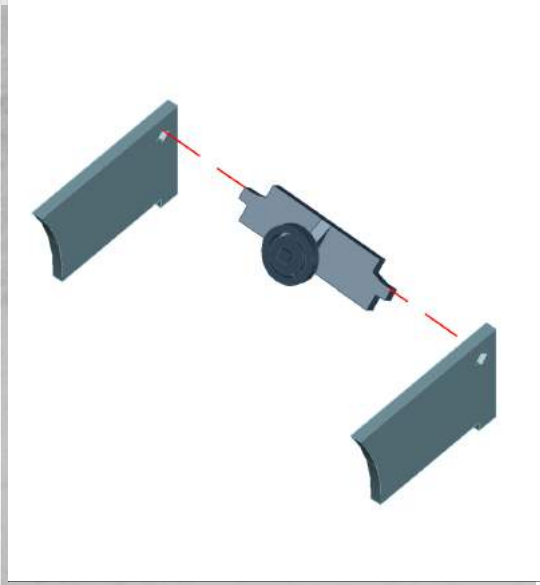




WARCRADLE<sup>TM</sup>  
SCENICS

## Myskham - Automobile - Assembly Guide

Warning: Pushing parts out by hand may cause damage. Parts may need careful removal from the MDF boards with a scalpel, and light sanding of any rough edges. We recommend testing assembling sections before permanently gluing together.

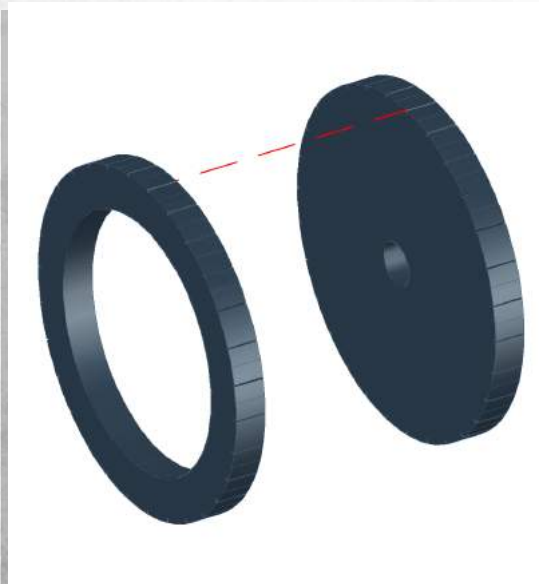
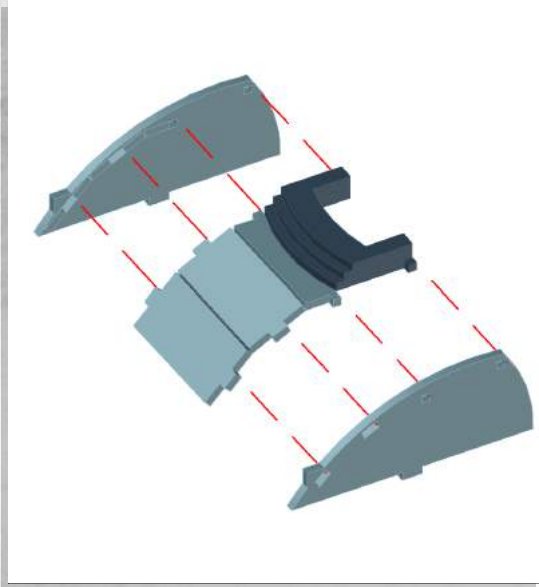




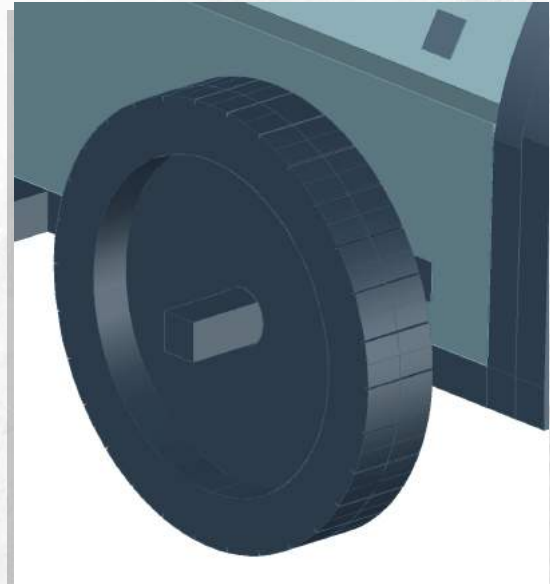
WARCRADLE<sup>TM</sup>  
SCENICS

## Myskham - Automobile - Assembly Guide

Warning: Pushing parts out by hand may cause damage. Parts may need careful removal from the MDF boards with a scalpel, and light sanding of any rough edges. We recommend testing assembling sections before permanently gluing together.



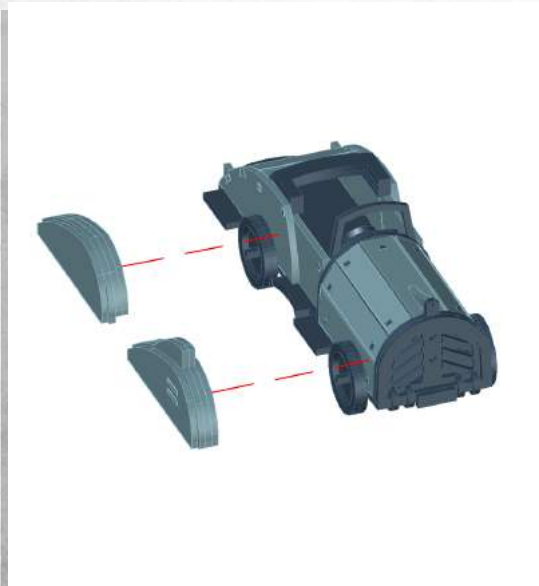
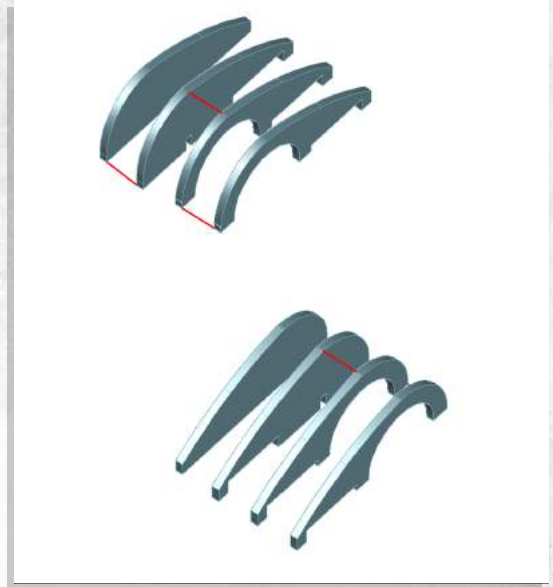
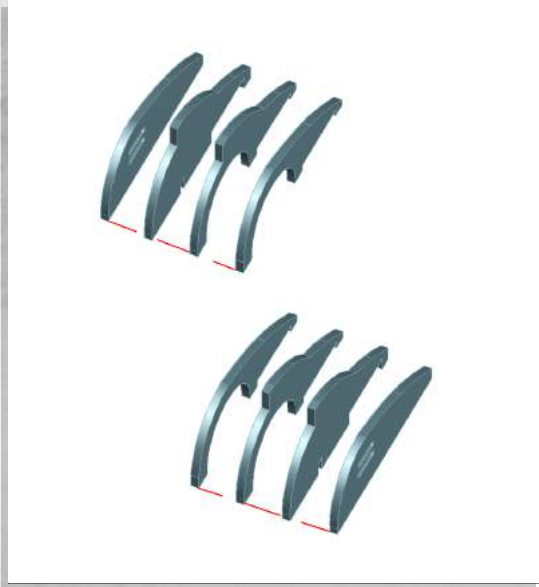
Note: Repeat for all



Note: Place wheels onto pegs,  
DO NOT use glue

## Myskham - Automobile - Assembly Guide

Warning: Pushing parts out by hand may cause damage. Parts may need careful removal from the MDF boards with a scalpel, and light sanding of any rough edges. We recommend testing assembling sections before permanently gluing together.



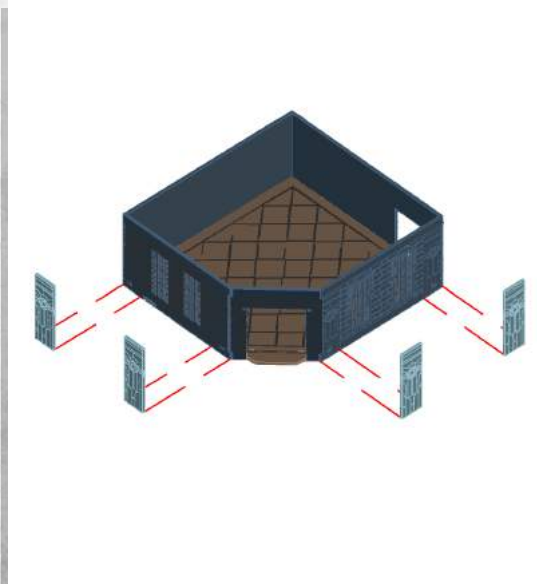
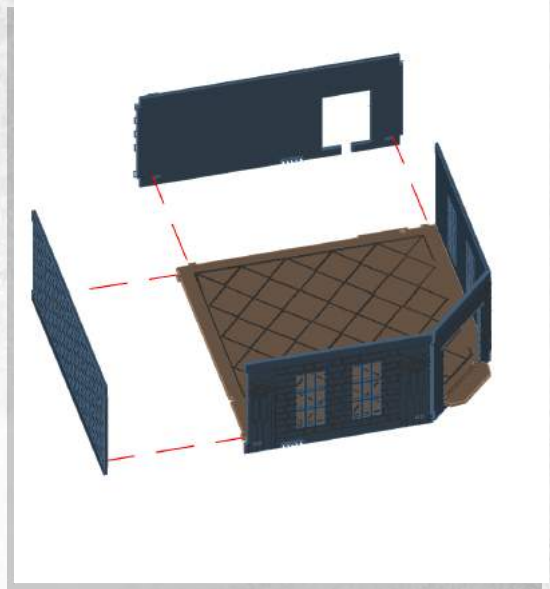
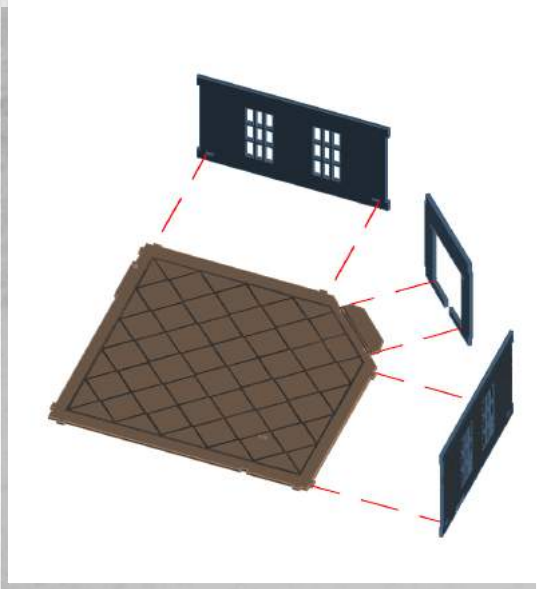
Note: Repeat for both sides



WARCRADLE<sup>TM</sup>  
SCENICS

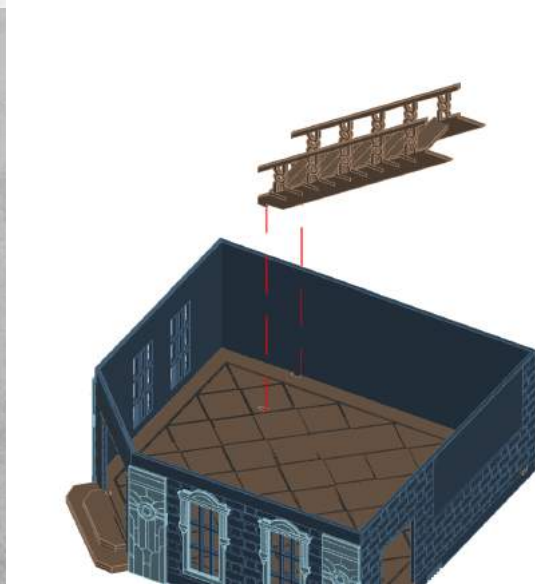
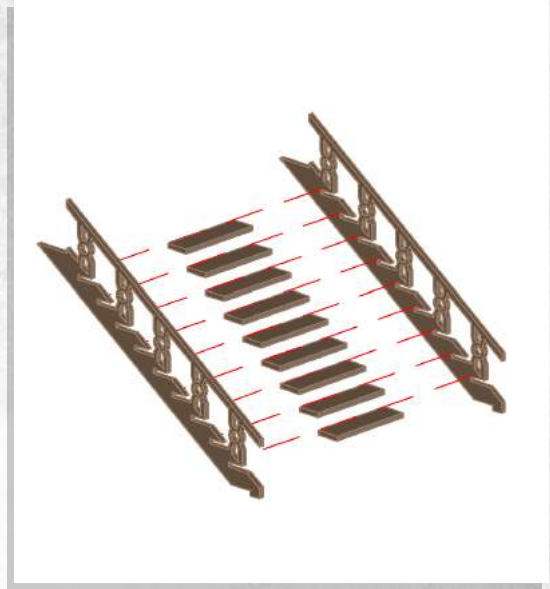
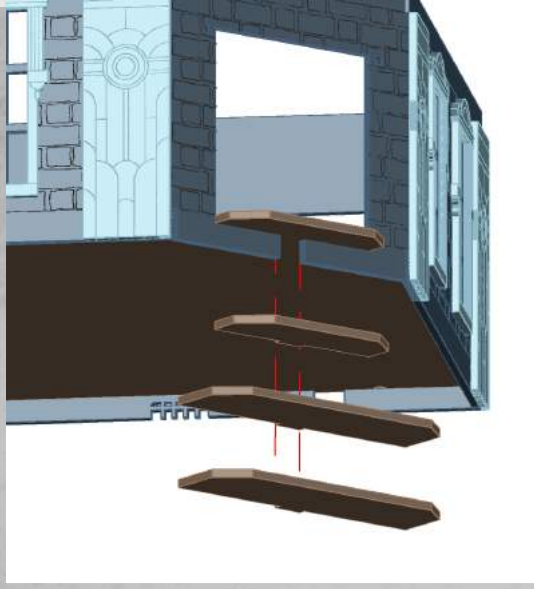
## Myskham - The Elder Sign - Assembly Guide

Warning: Pushing parts out by hand may cause damage. Parts may need careful removal from the MDF boards with a scalpel, and light sanding of any rough edges. We recommend testing assembling sections before permanently gluing together.



## Myskham - The Elder Sign - Assembly Guide

Warning: Pushing parts out by hand may cause damage. Parts may need careful removal from the MDF boards with a scalpel, and light sanding of any rough edges. We recommend testing assembling sections before permanently gluing together.

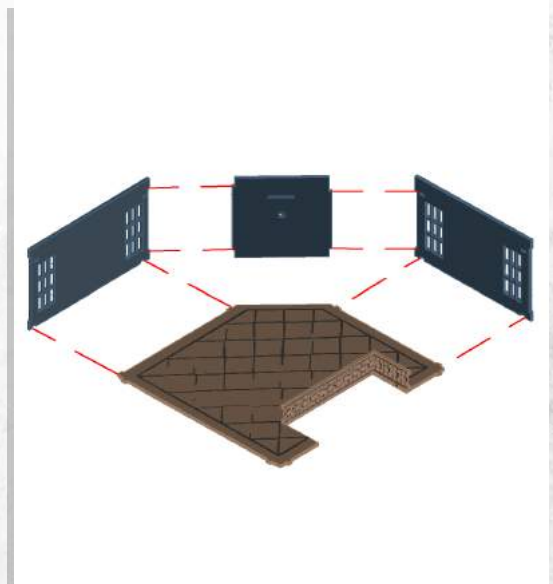
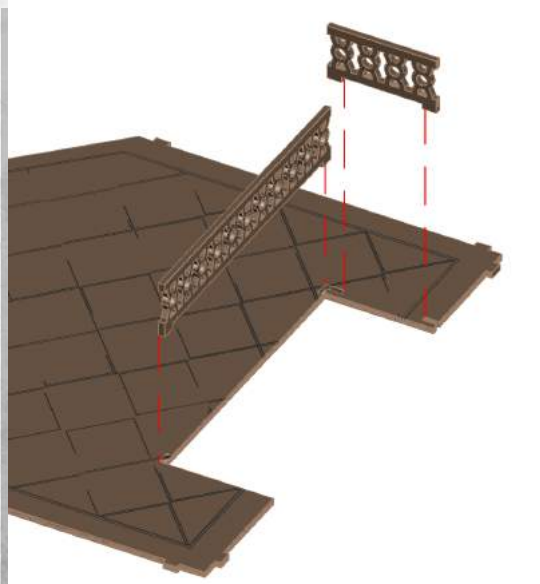
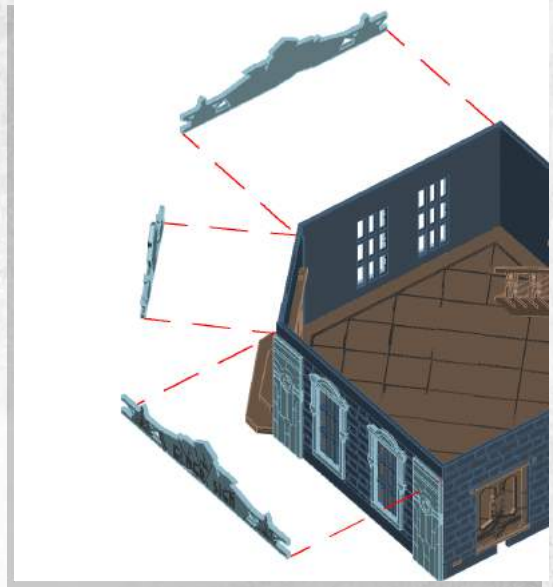
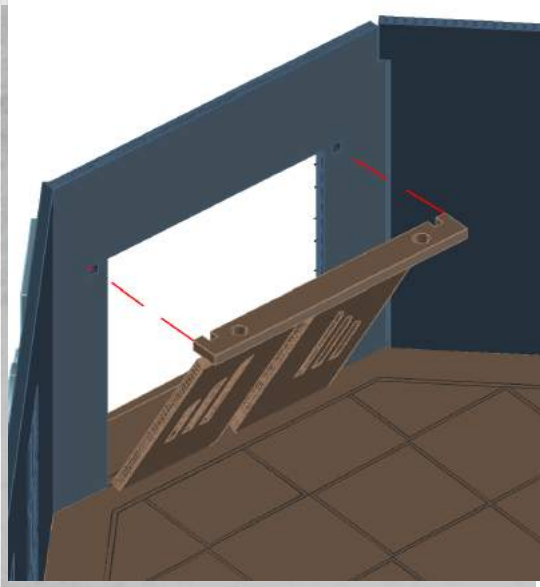




WARCRADLE<sup>TM</sup>  
SCENICS

## Myskham - The Elder Sign - Assembly Guide

Warning: Pushing parts out by hand may cause damage. Parts may need careful removal from the MDF boards with a scalpel, and light sanding of any rough edges. We recommend testing assembling sections before permanently gluing together.

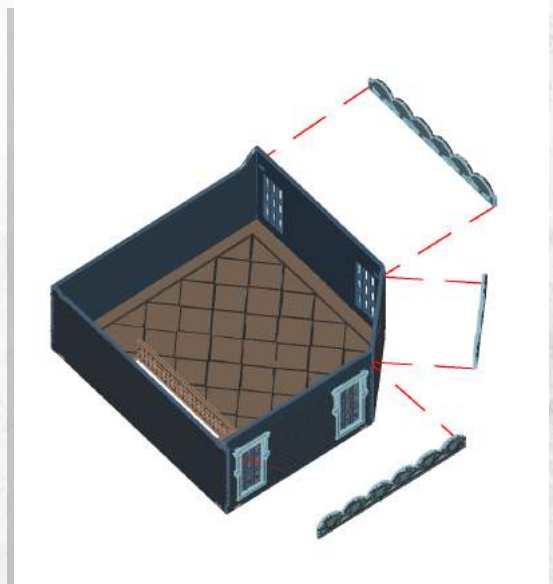
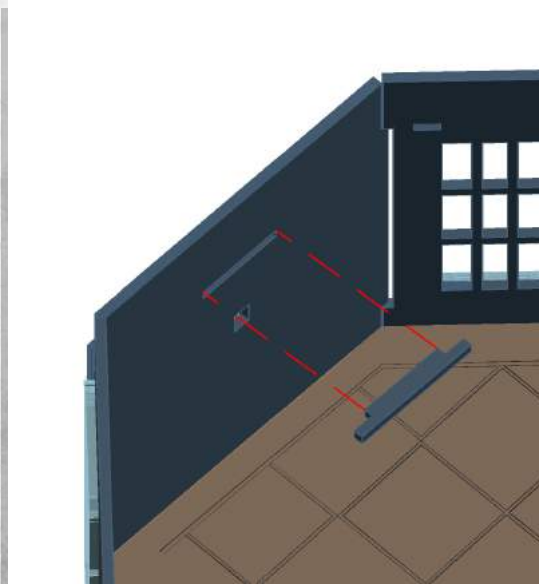
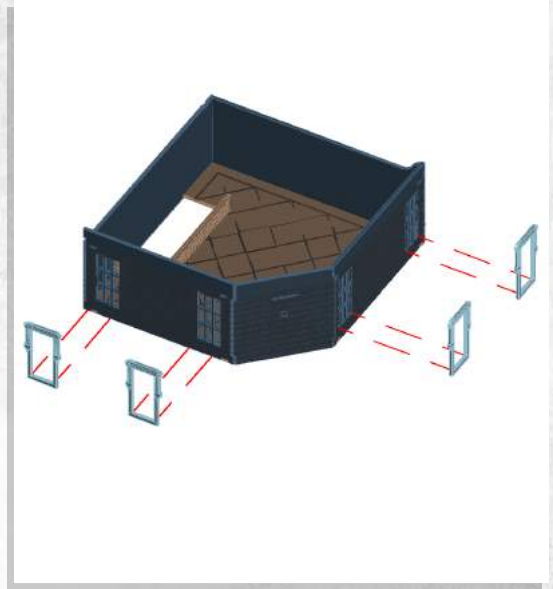
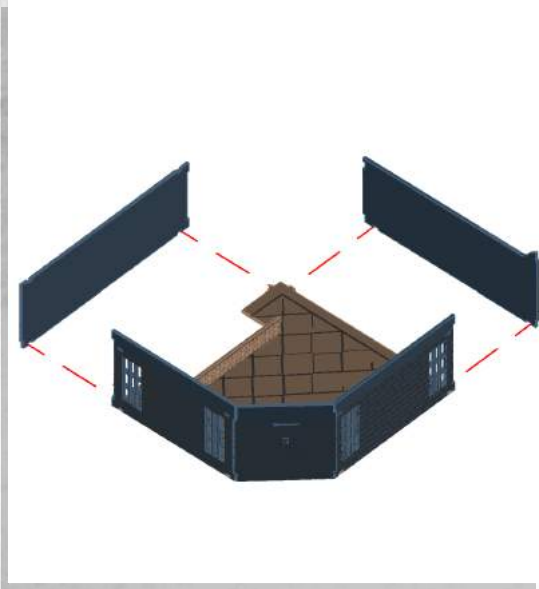




WARCRADLE<sup>TM</sup>  
SCENICS

## Myskham - The Elder Sign - Assembly Guide

Warning: Pushing parts out by hand may cause damage. Parts may need careful removal from the MDF boards with a scalpel, and light sanding of any rough edges. We recommend testing assembling sections before permanently gluing together.



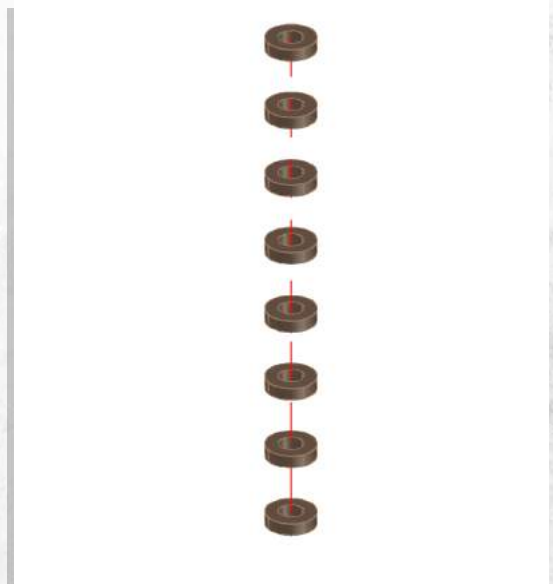
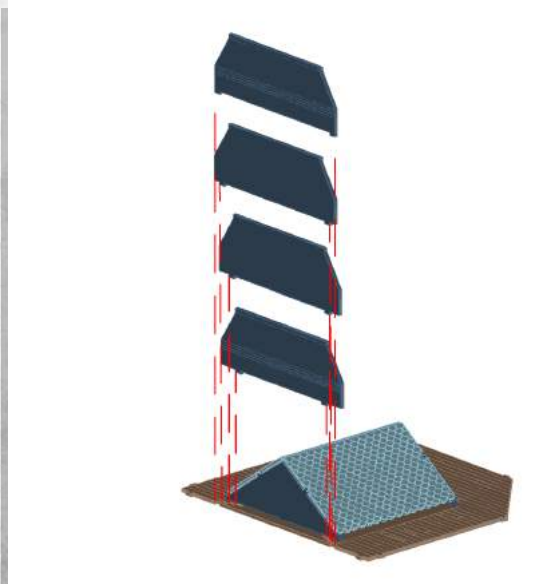
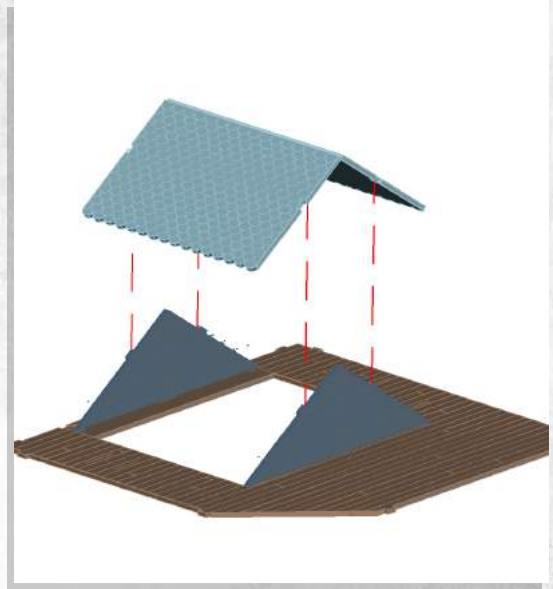
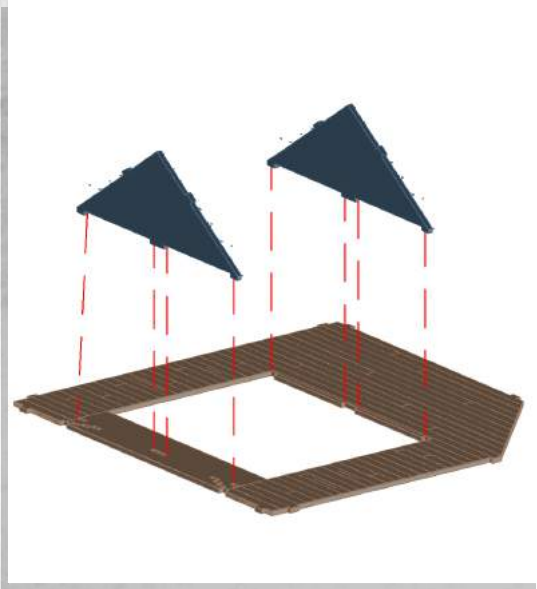




WARCRADLE<sup>TM</sup>  
SCENICS

## Myskham - The Elder Sign - Assembly Guide

Warning: Pushing parts out by hand may cause damage. Parts may need careful removal from the MDF boards with a scalpel, and light sanding of any rough edges. We recommend testing assembling sections before permanently gluing together.

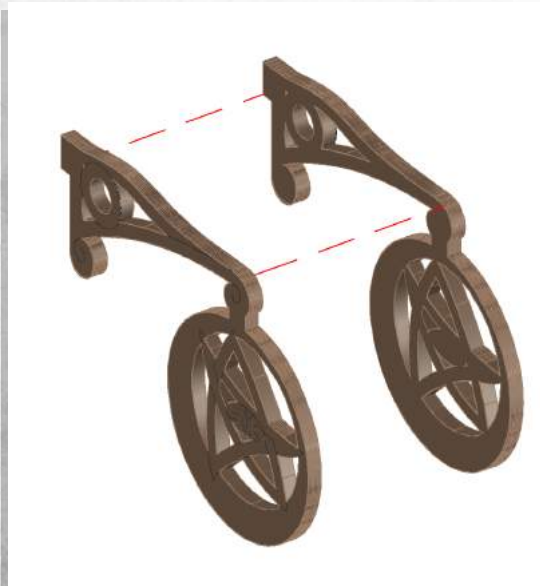
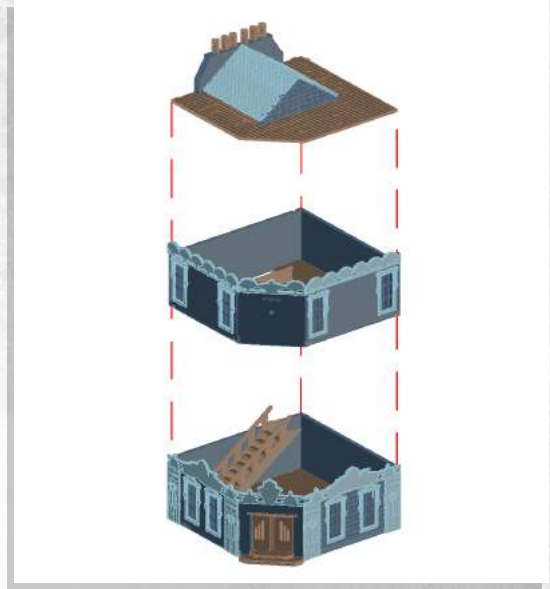
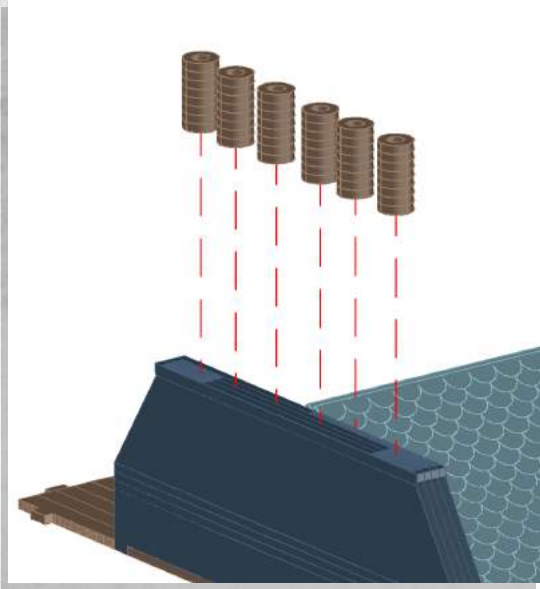




WARCRADLE<sup>TM</sup>  
SCENICS

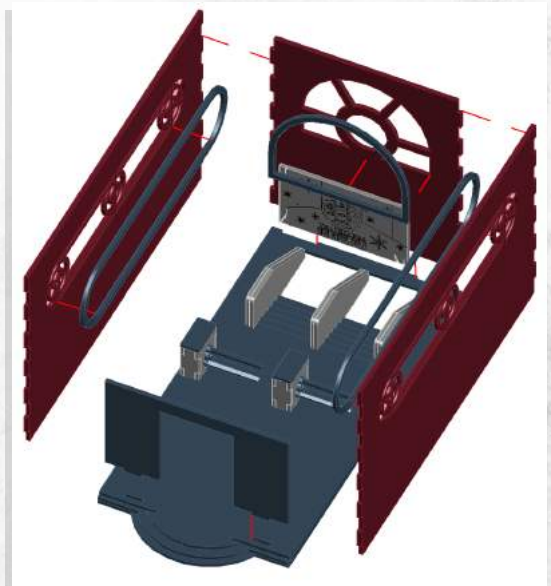
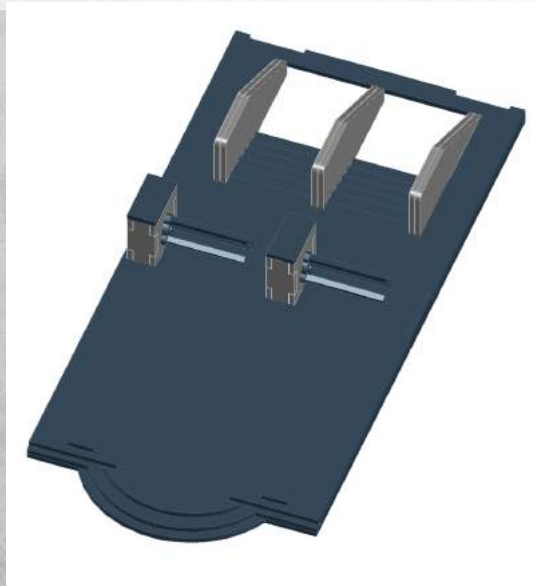
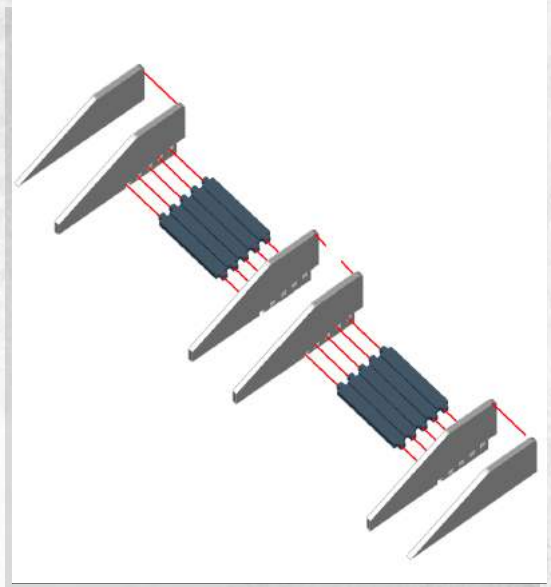
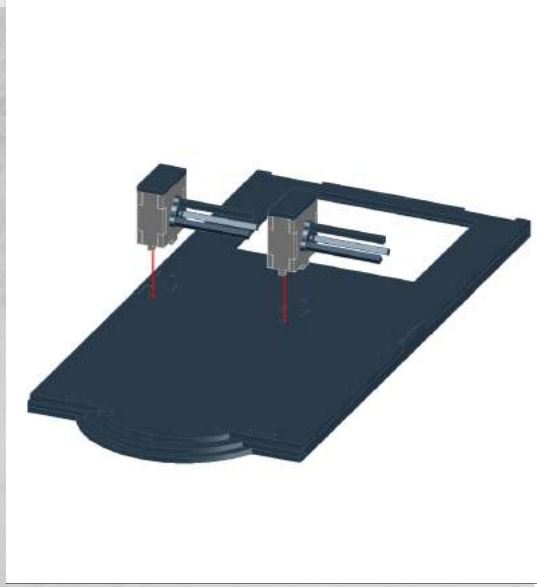
## Myskham - The Elder Sign - Assembly Guide

Warning: Pushing parts out by hand may cause damage. Parts may need careful removal from the MDF boards with a scalpel, and light sanding of any rough edges. We recommend testing assembling sections before permanently gluing together.



## Myskham - Subway - Assembly Guide

Warning: Pushing parts out by hand may cause damage. Parts may need careful removal from the MDF boards with a scalpel, and light sanding of any rough edges. We recommend testing assembling sections before permanently gluing together.

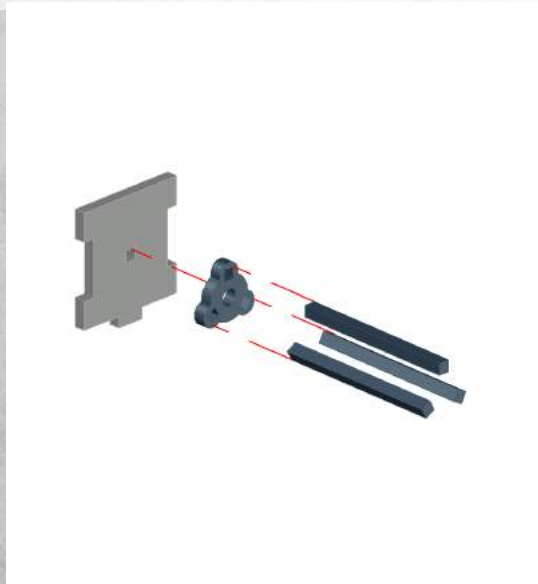
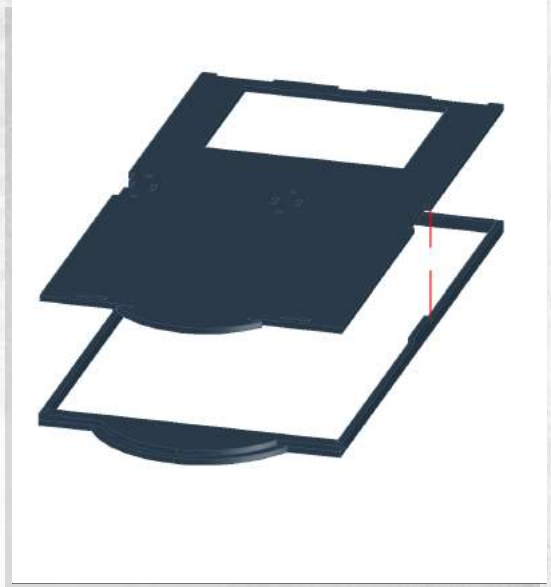
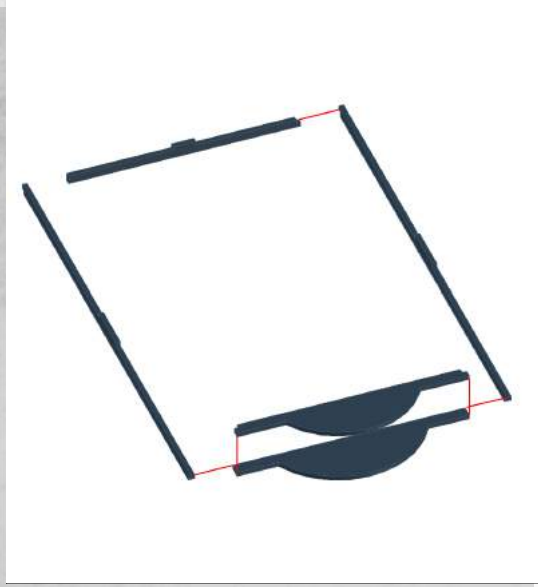




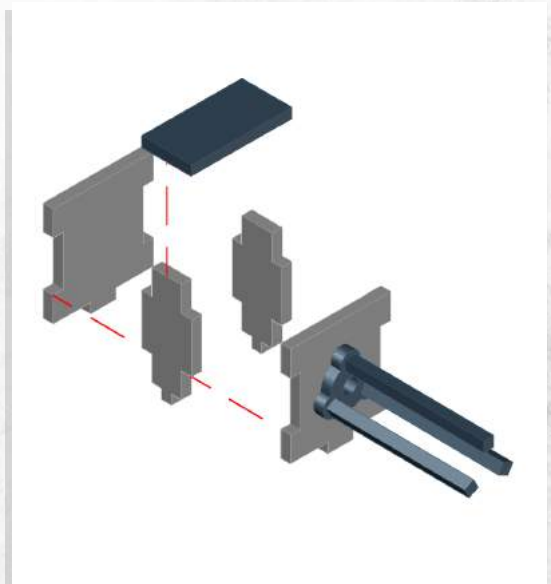
WARCRADLE<sup>TM</sup>  
SCENICS

## Myskham - Subway - Assembly Guide

Warning: Pushing parts out by hand may cause damage. Parts may need careful removal from the MDF boards with a scalpel, and light sanding of any rough edges. We recommend testing assembling sections before permanently gluing together.



Note: Repeat for both



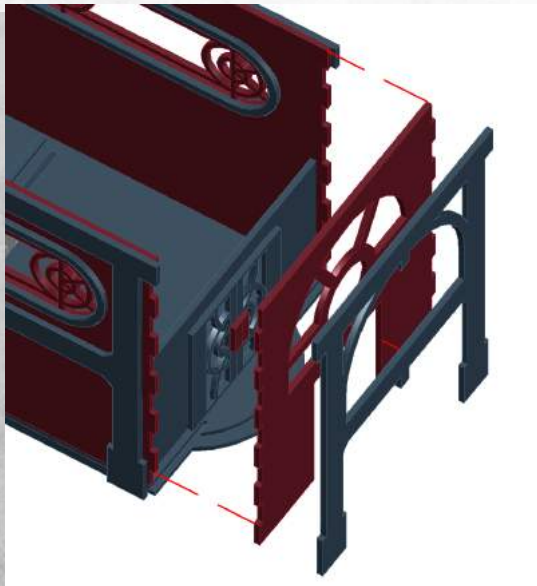
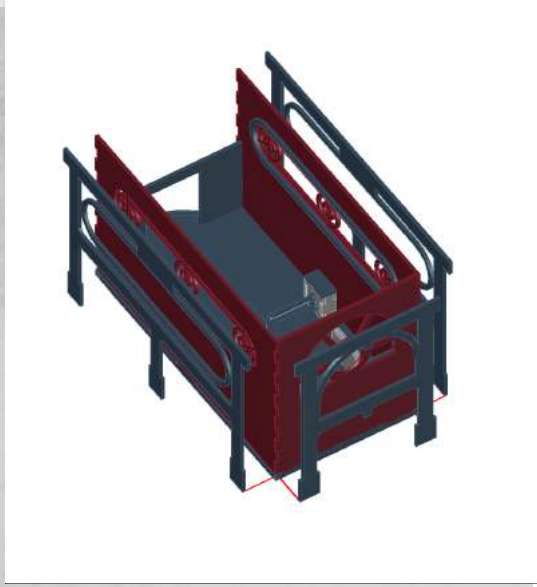
Note: Repeat for both



WARCRADLE<sup>TM</sup>  
SCENICS

## Myskham - Subway - Assembly Guide

Warning: Pushing parts out by hand may cause damage. Parts may need careful removal from the MDF boards with a scalpel, and light sanding of any rough edges. We recommend testing assembling sections before permanently gluing together.

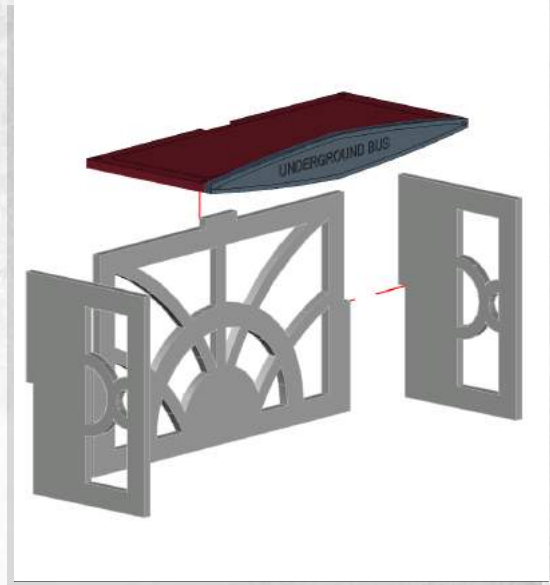
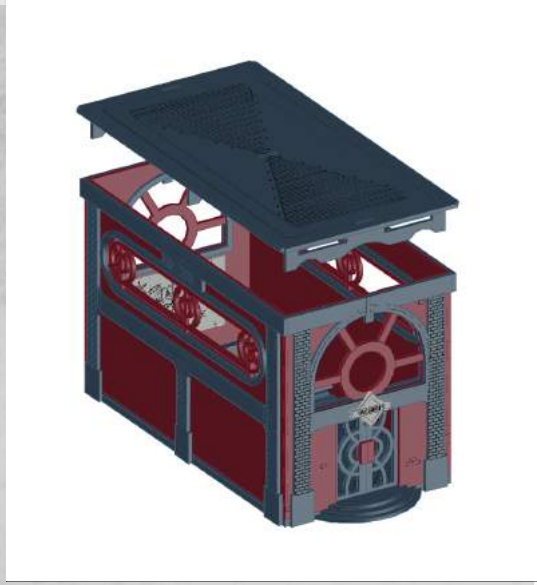




WARCRADLE<sup>TM</sup>  
SCENICS

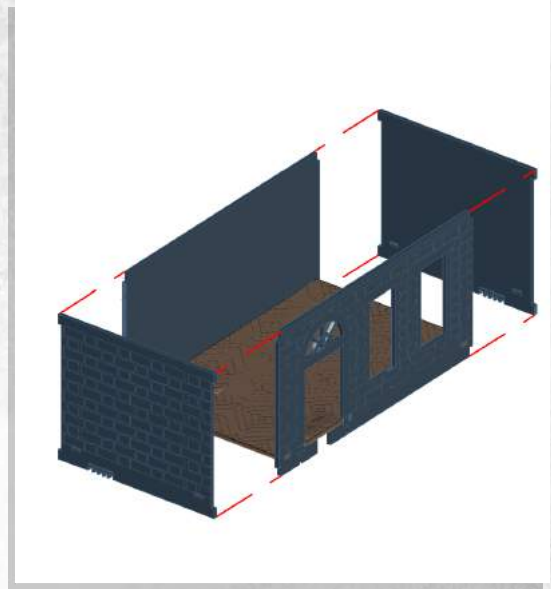
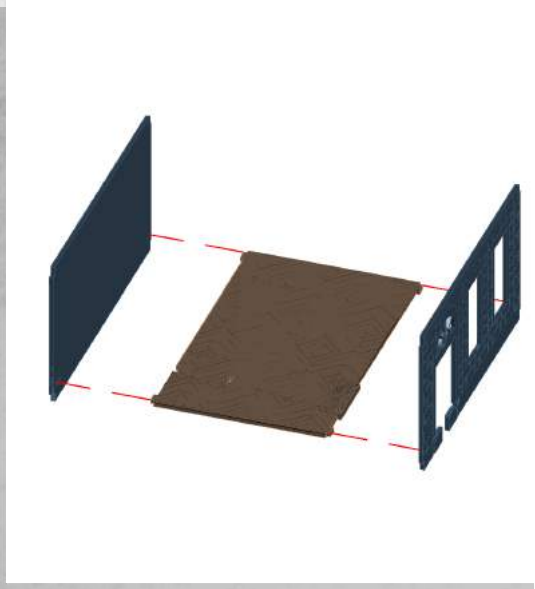
## Myskham - Subway - Assembly Guide

Warning: Pushing parts out by hand may cause damage. Parts may need careful removal from the MDF boards with a scalpel, and light sanding of any rough edges. We recommend testing assembling sections before permanently gluing together.

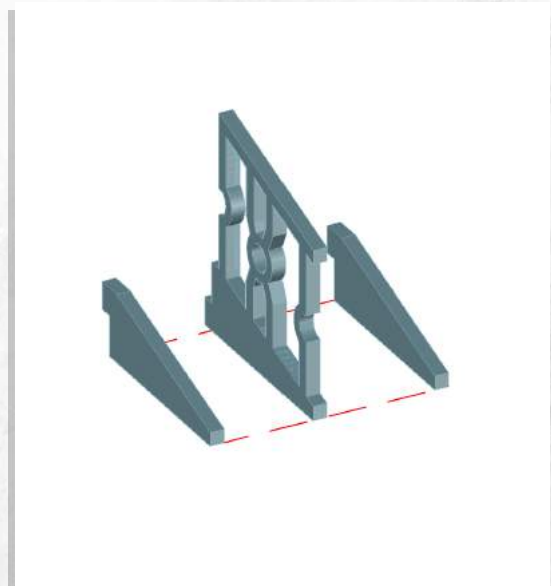
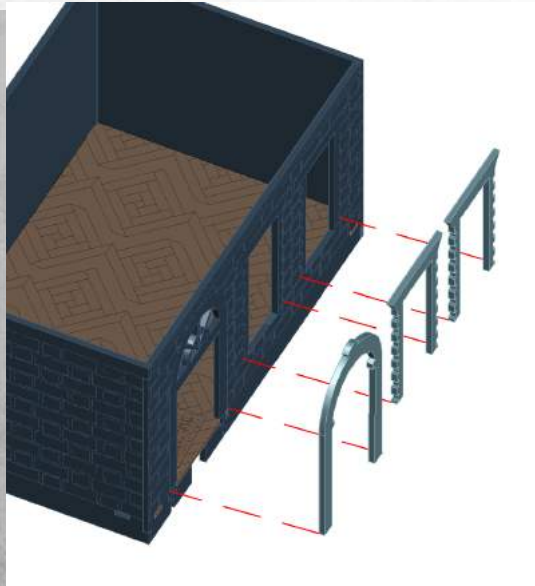


## Myskham - Town House - Assembly Guide

Warning: Pushing parts out by hand may cause damage. Parts may need careful removal from the MDF boards with a scalpel, and light sanding of any rough edges. We recommend testing assembling sections before permanently gluing together.

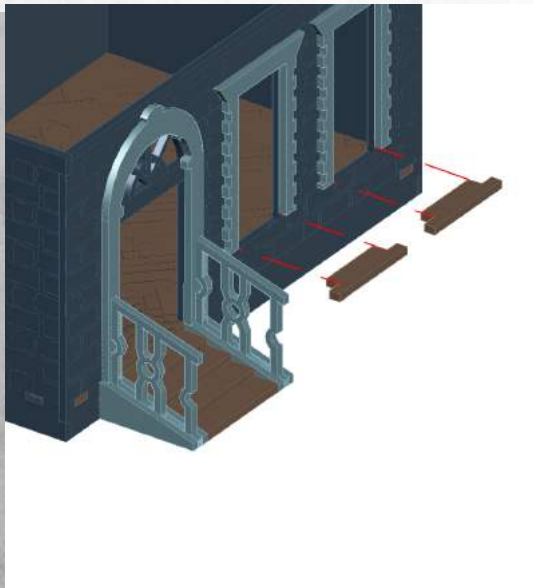
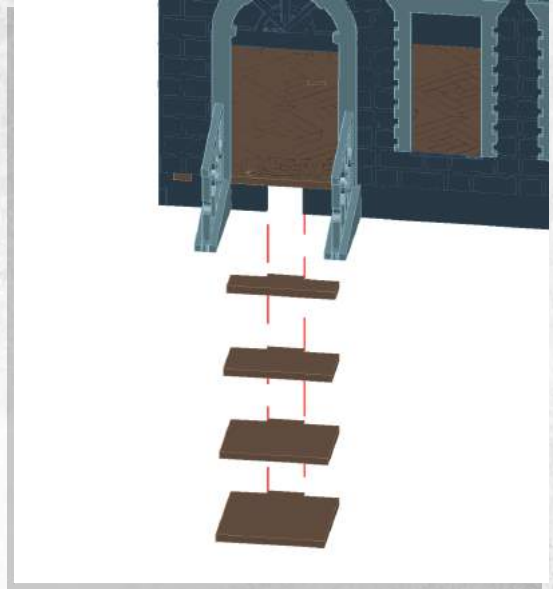
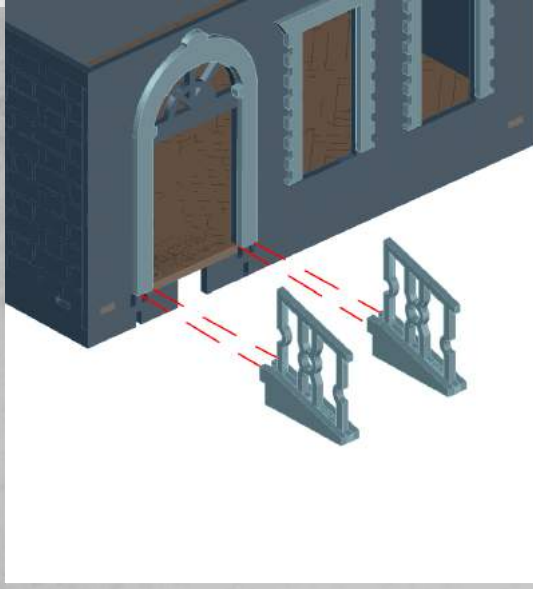


Note: Repeat instructions when complete



## Myskham - Town House - Assembly Guide

Warning: Pushing parts out by hand may cause damage. Parts may need careful removal from the MDF boards with a scalpel, and light sanding of any rough edges. We recommend testing assembling sections before permanently gluing together.



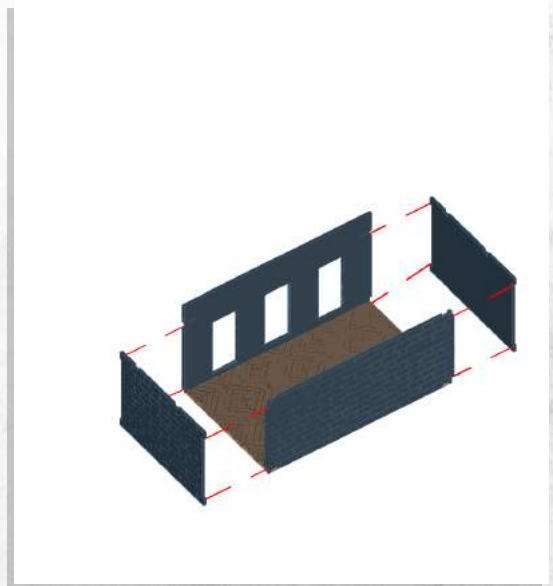
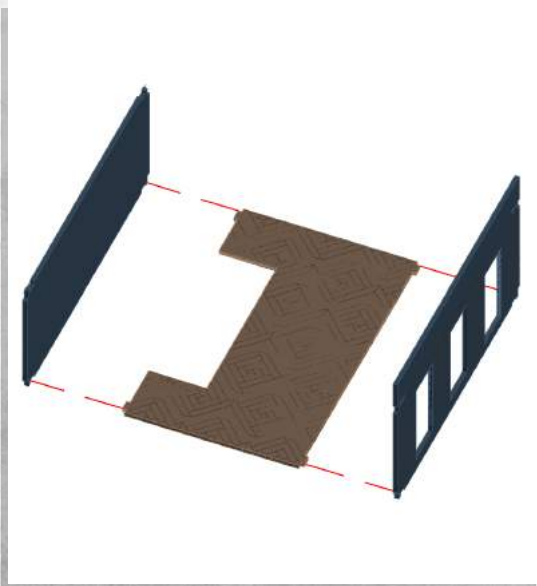
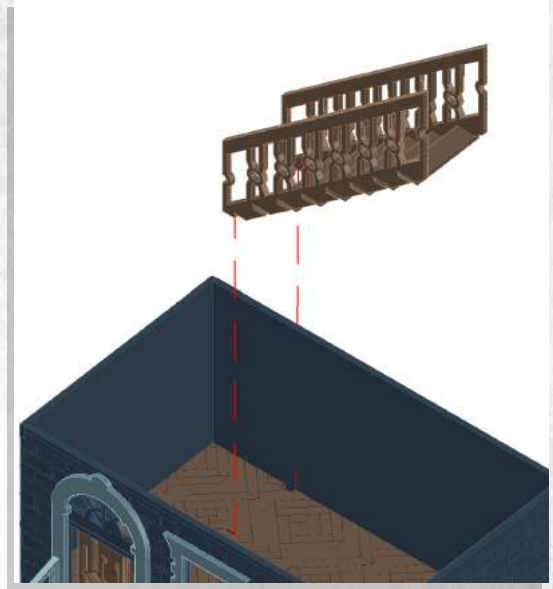
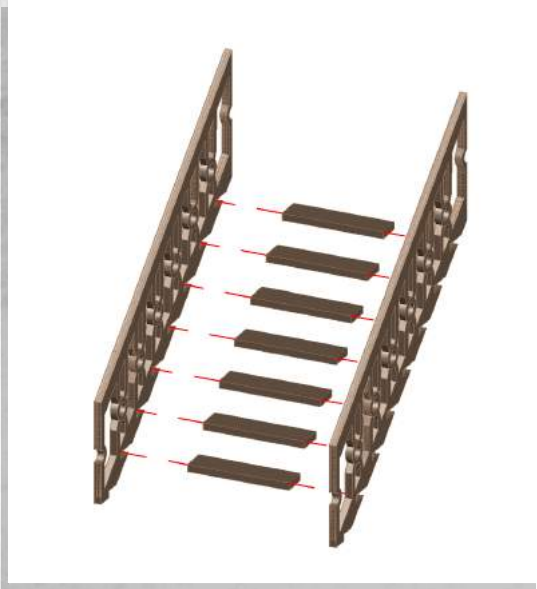




WARCRADLE<sup>TM</sup>  
SCENICS

## Myskham - Town House - Assembly Guide

Warning: Pushing parts out by hand may cause damage. Parts may need careful removal from the MDF boards with a scalpel, and light sanding of any rough edges. We recommend testing assembling sections before permanently gluing together.

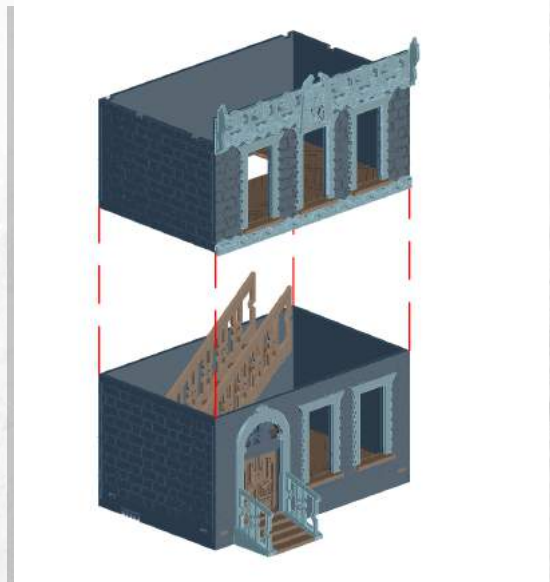
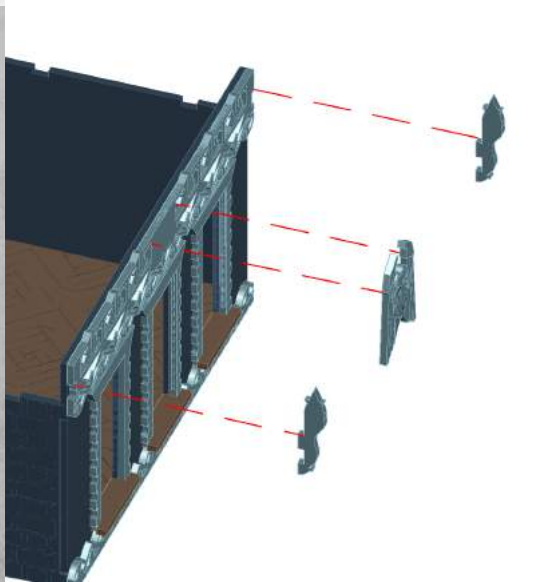
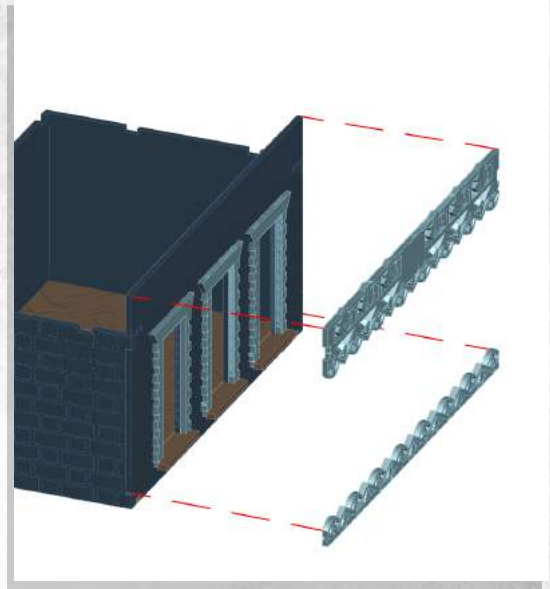
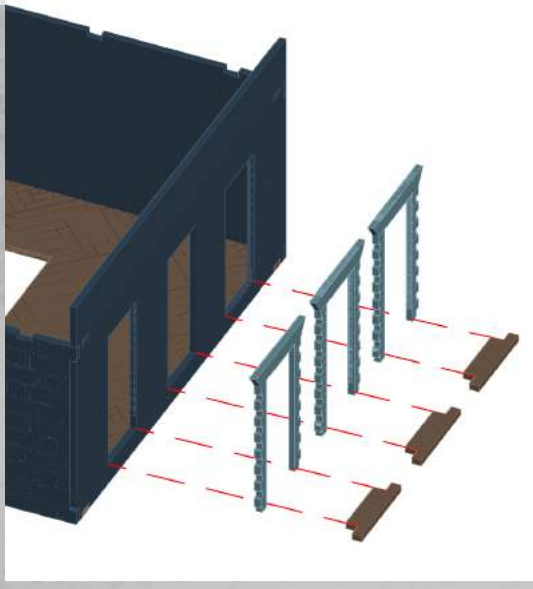




WARCRADLE<sup>TM</sup>  
SCENICS

## Myskham - Town House - Assembly Guide

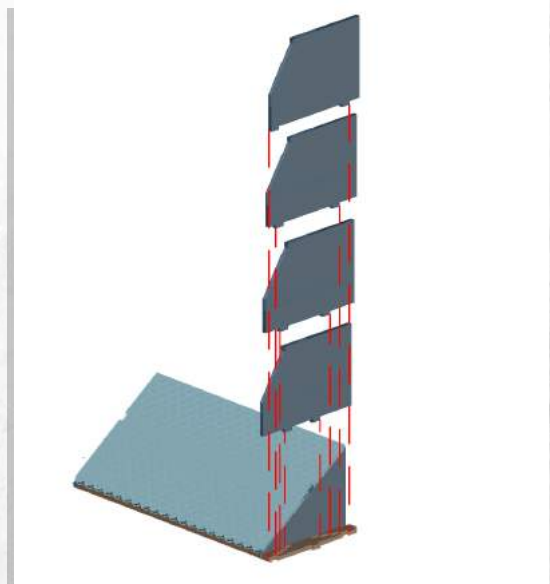
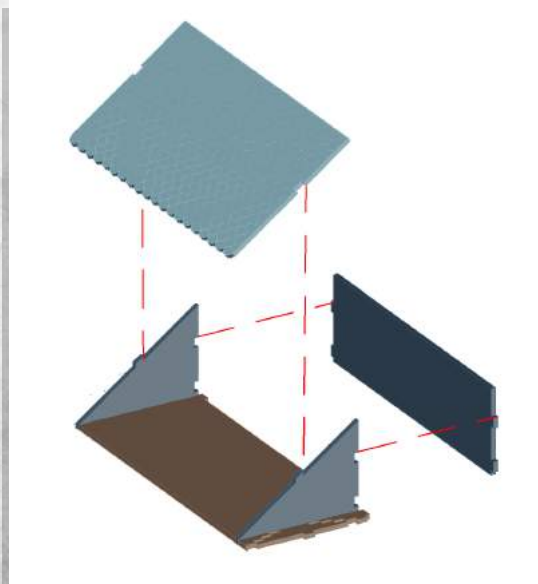
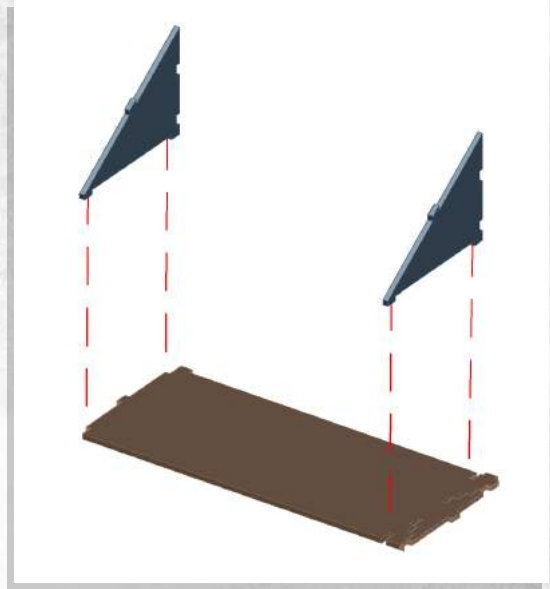
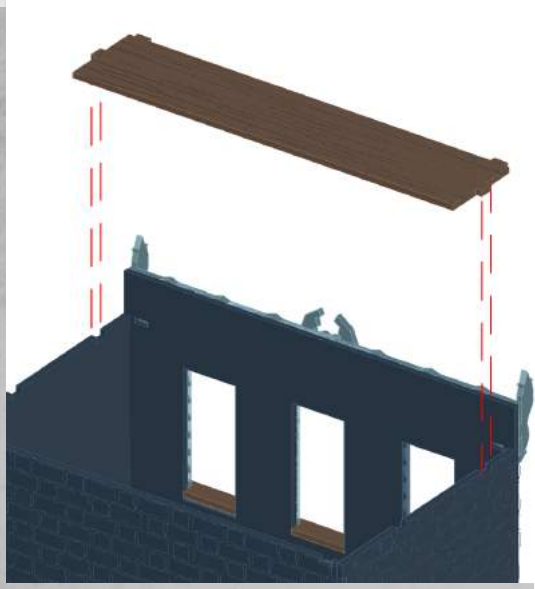
Warning: Pushing parts out by hand may cause damage. Parts may need careful removal from the MDF boards with a scalpel, and light sanding of any rough edges. We recommend testing assembling sections before permanently gluing together.



Note: Do Not Glue

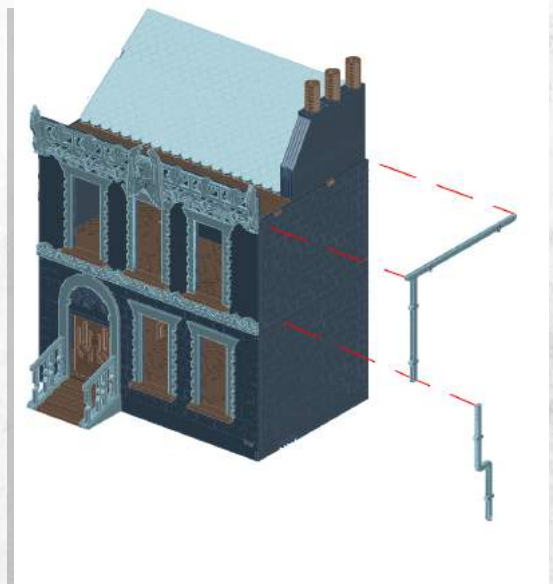
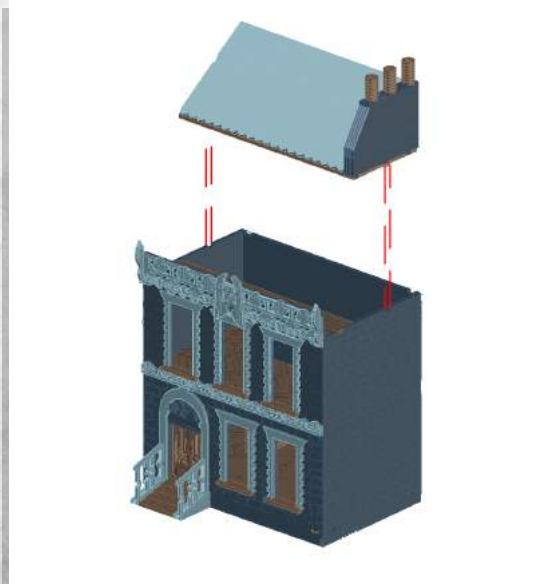
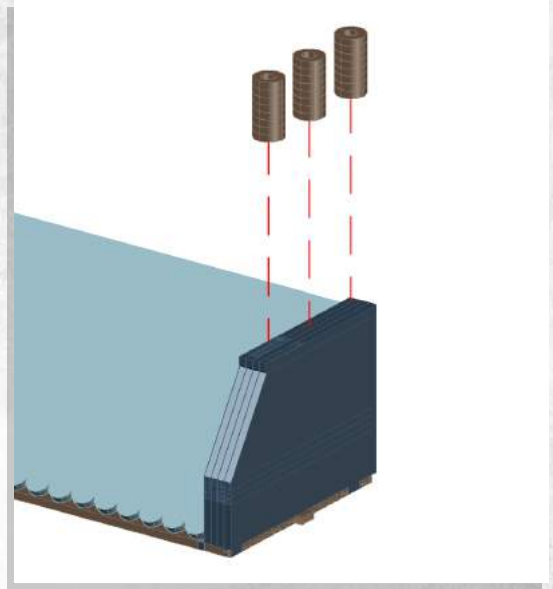
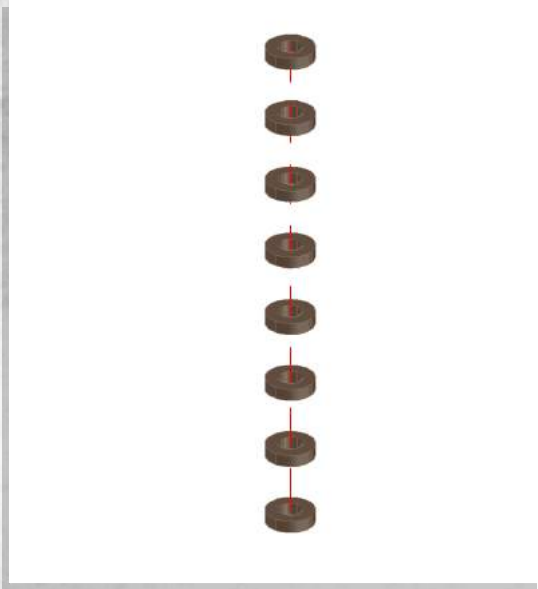
## Myskham - Town House - Assembly Guide

Warning: Pushing parts out by hand may cause damage. Parts may need careful removal from the MDF boards with a scalpel, and light sanding of any rough edges. We recommend testing assembling sections before permanently gluing together.



## Myskham - Town House - Assembly Guide

Warning: Pushing parts out by hand may cause damage. Parts may need careful removal from the MDF boards with a scalpel, and light sanding of any rough edges. We recommend testing assembling sections before permanently gluing together.



**Note: Do Not Glue**



WARCRADLE<sup>TM</sup>  
SCENICS

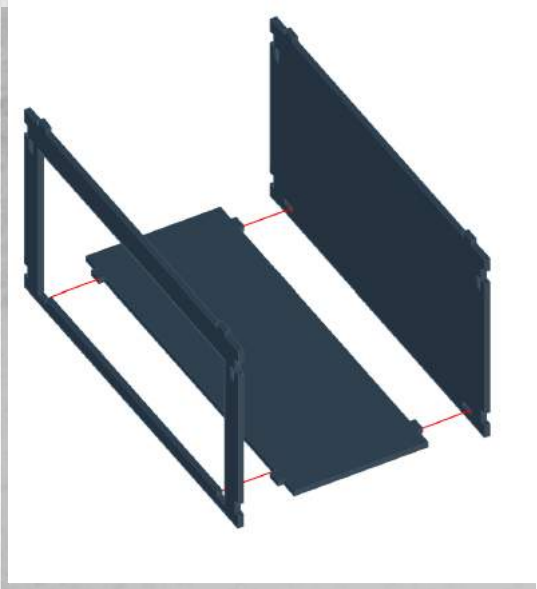
## Myskham - Town House - Assembly Guide

Warning: Pushing parts out by hand may cause damage. Parts may need careful removal from the MDF boards with a scalpel, and light sanding of any rough edges. We recommend testing assembling sections before permanently gluing together.

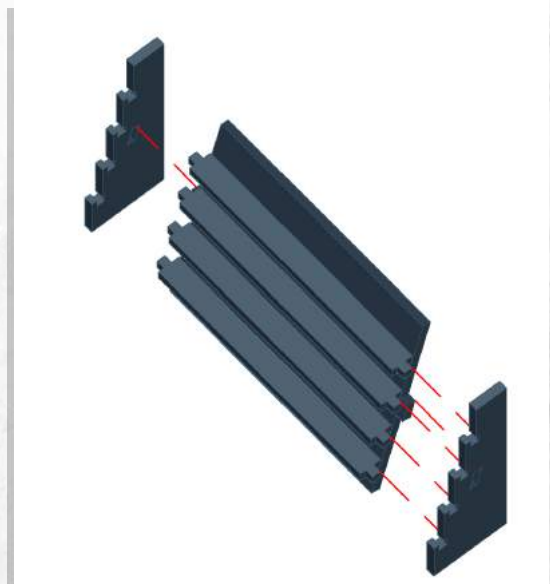
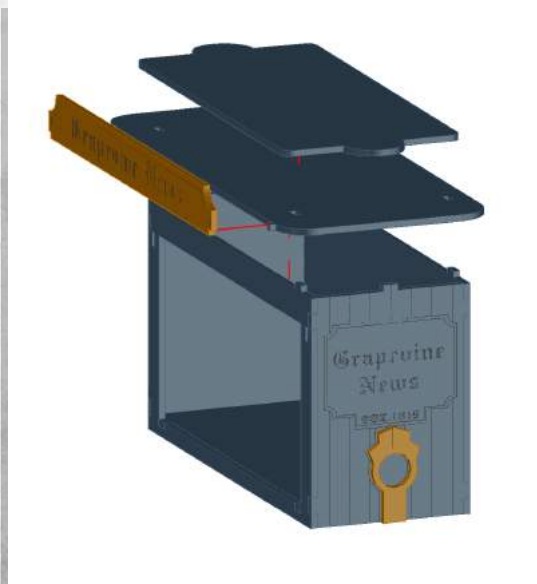


## Myskham - Urban Scatter - Assembly Guide

Warning: Pushing parts out by hand may cause damage. Parts may need careful removal from the MDF boards with a scalpel, and light sanding of any rough edges. We recommend testing assembling sections before permanently gluing together.



Note: Repeat for both sides

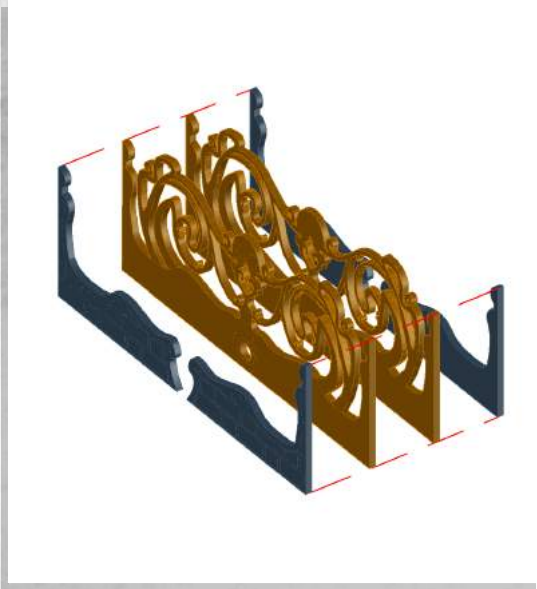




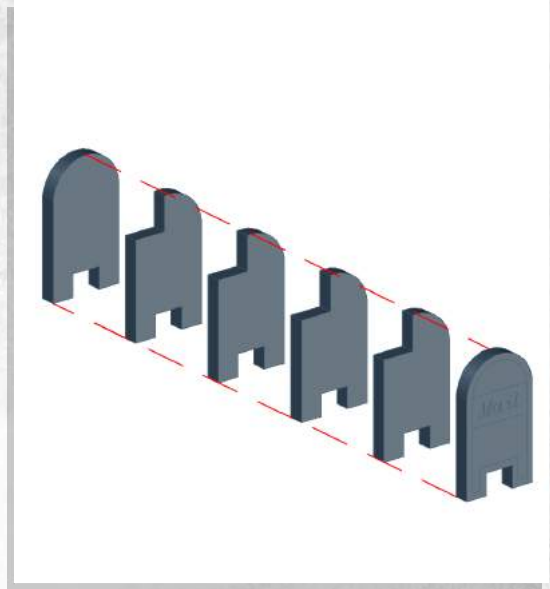
WARCRADLE<sup>TM</sup>  
SCENICS

## Myskham - Urban Scatter - Assembly Guide

Warning: Pushing parts out by hand may cause damage. Parts may need careful removal from the MDF boards with a scalpel, and light sanding of any rough edges. We recommend testing assembling sections before permanently gluing together.



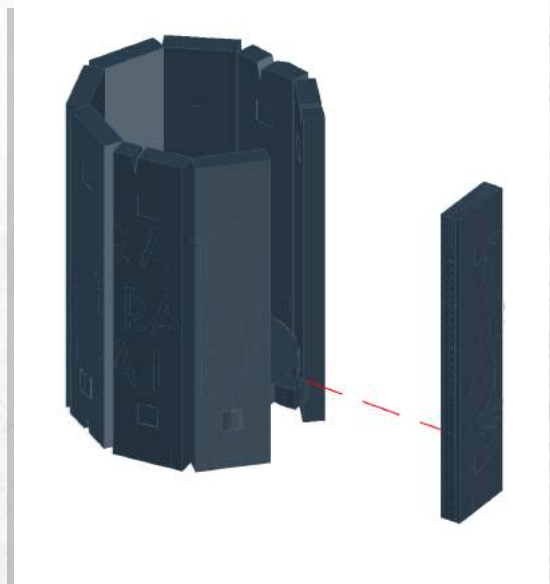
Note: Repeat for all



Note: Repeat for all



Note: Repeat for all



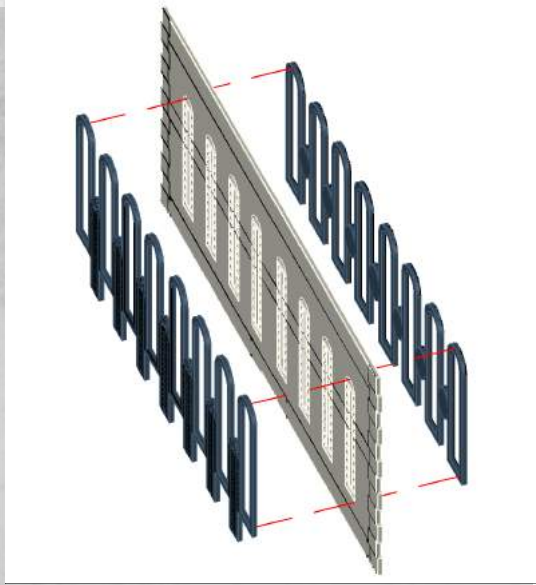
Note: Repeat for all



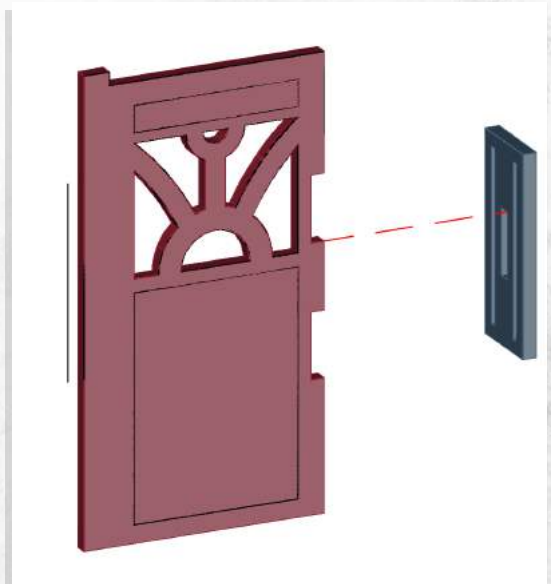
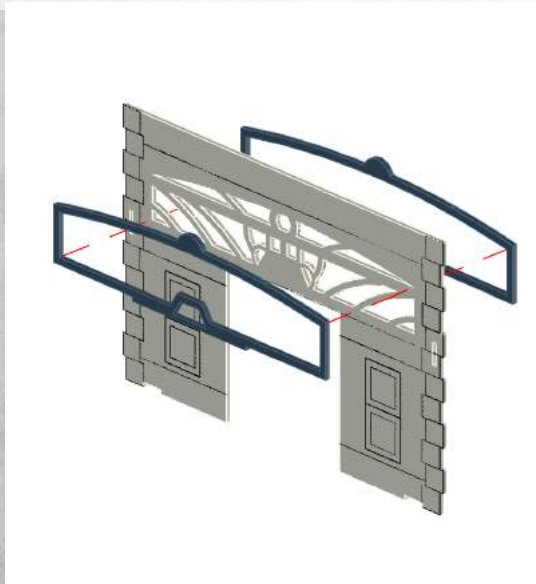
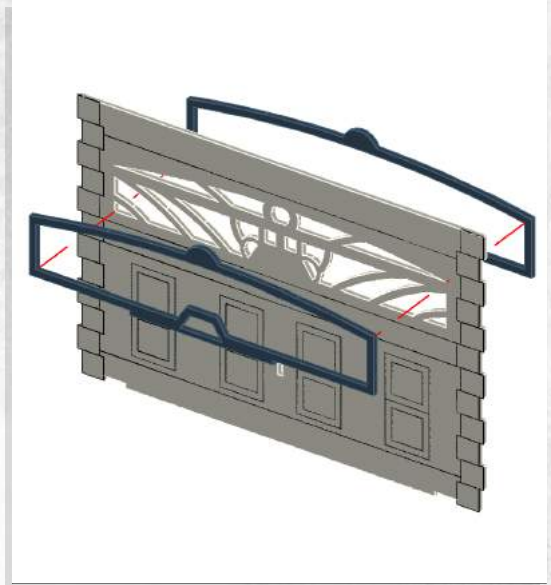
WARCRADLE<sup>TM</sup>  
SCENICS

## Myskham - Firestation - Assembly Guide

Warning: Pushing parts out by hand may cause damage. Parts may need careful removal from the MDF boards with a scalpel, and light sanding of any rough edges. We recommend testing assembling sections before permanently gluing together.



Note: Repeat for both



Note: Repeat for both

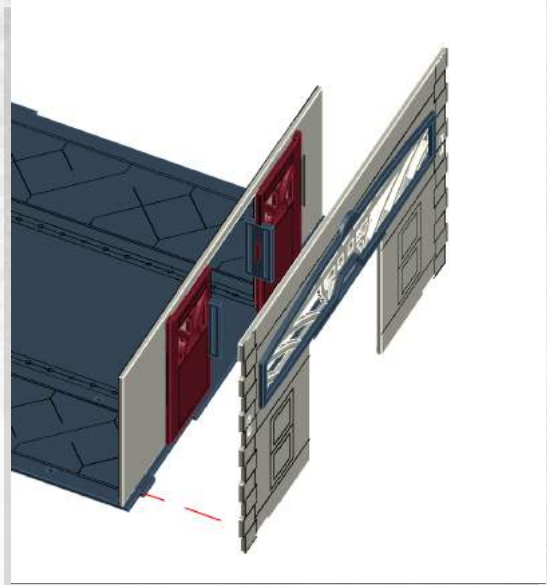
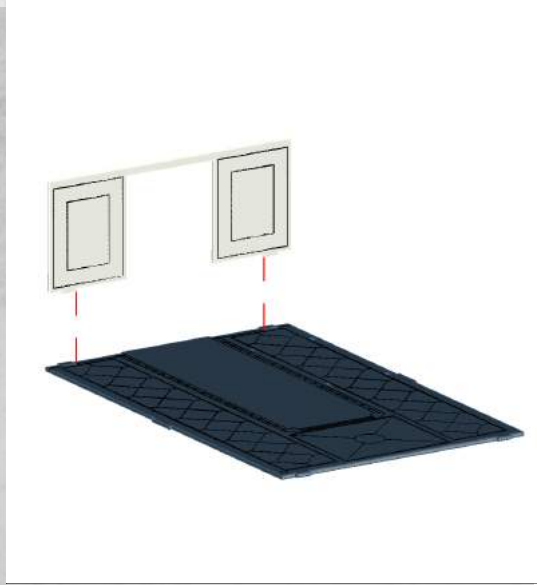




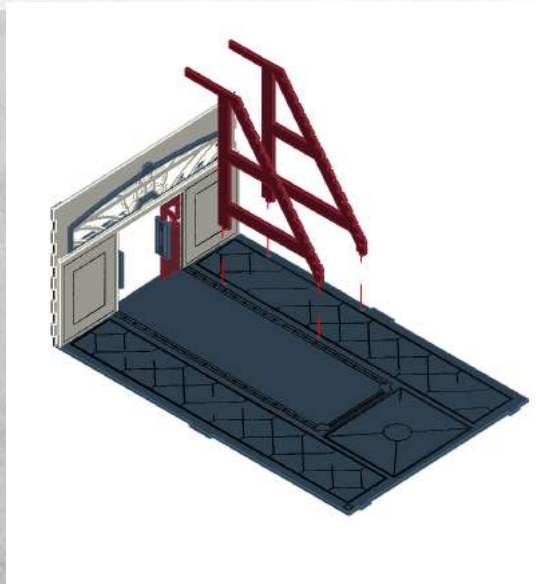
WARCRADLE<sup>TM</sup>  
SCENICS

## Myskham - Firestation - Assembly Guide

Warning: Pushing parts out by hand may cause damage. Parts may need careful removal from the MDF boards with a scalpel, and light sanding of any rough edges. We recommend testing assembling sections before permanently gluing together.



Note: DO NOT glue the doors



Note: Repeat for all steps



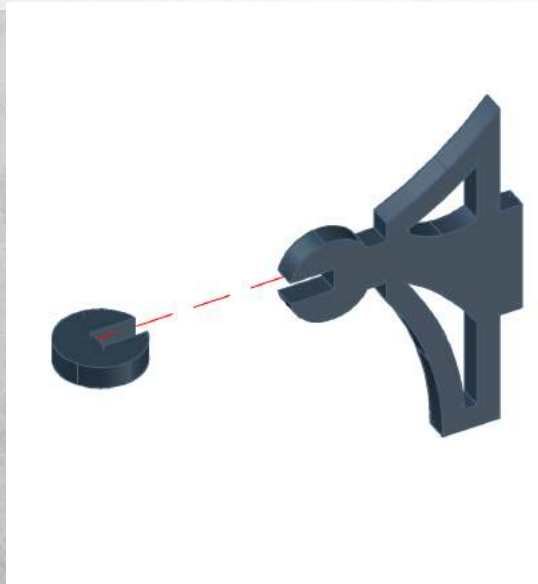
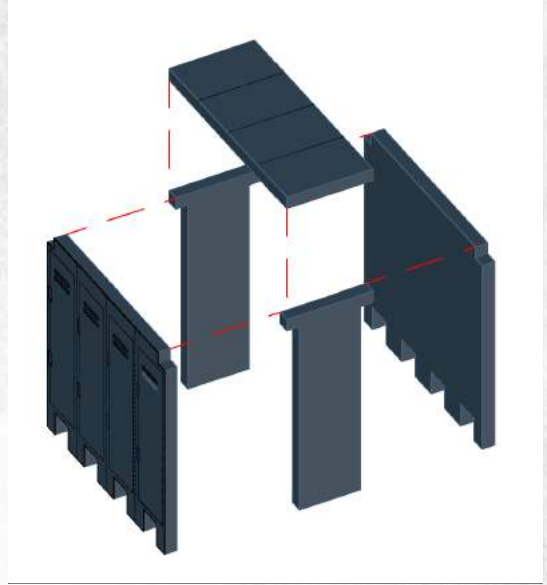
WARCRADLE<sup>TM</sup>  
SCENICS

## Myskham - Firestation - Assembly Guide

Warning: Pushing parts out by hand may cause damage. Parts may need careful removal from the MDF boards with a scalpel, and light sanding of any rough edges. We recommend testing assembling sections before permanently gluing together.



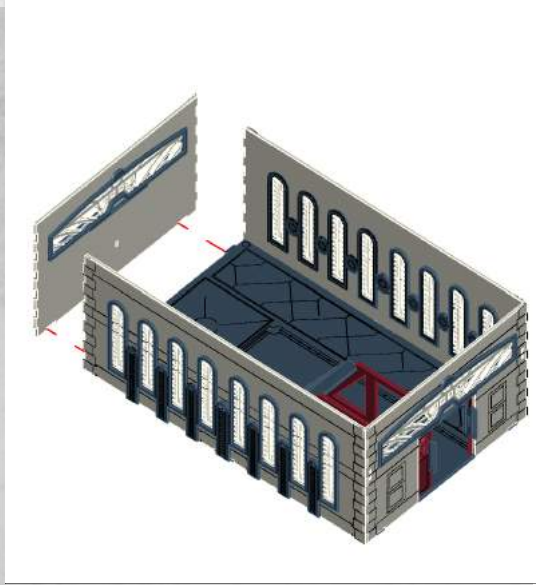
Note: Repeat for both walls



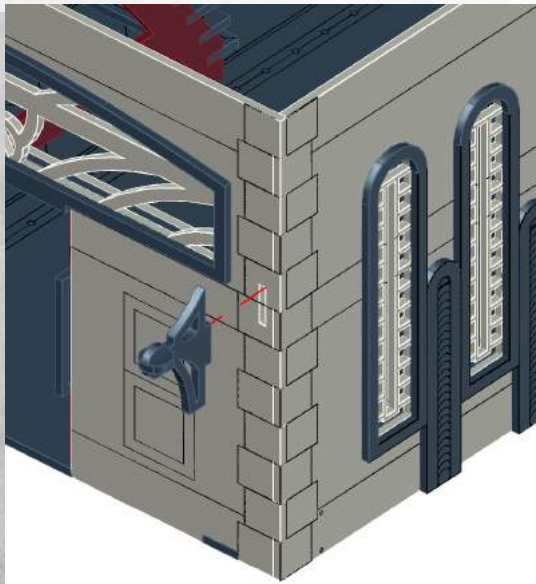
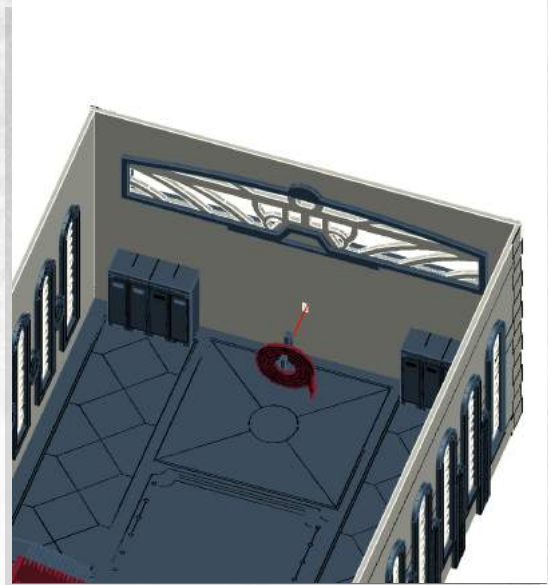
Note: Repeat for all

## Myskham - Firestation - Assembly Guide

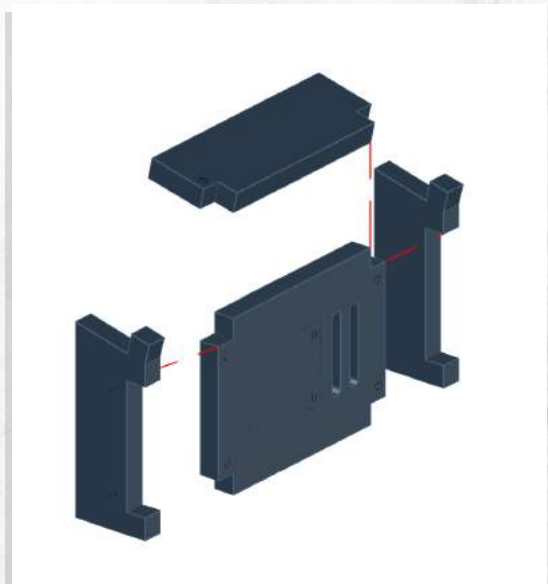
Warning: Pushing parts out by hand may cause damage. Parts may need careful removal from the MDF boards with a scalpel, and light sanding of any rough edges. We recommend testing assembling sections before permanently gluing together.



Note: Repeat for both walls

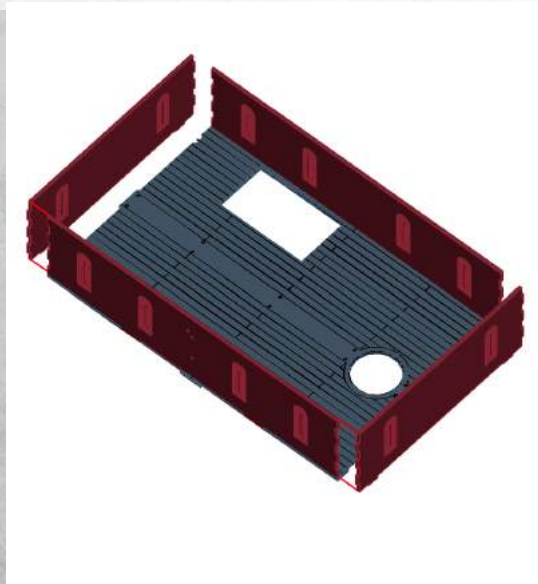
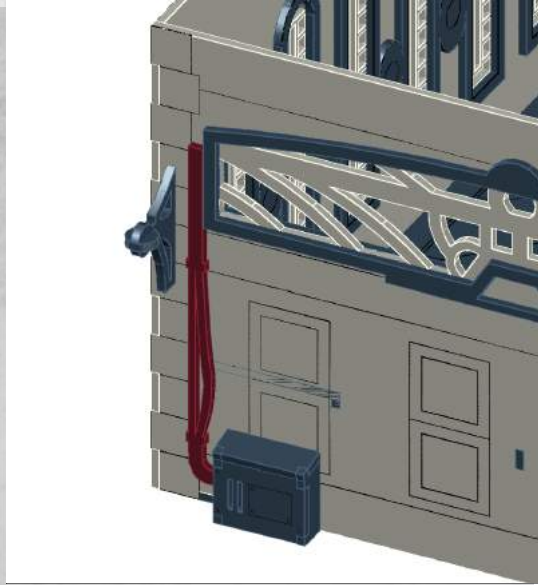


Note: Repeat for all around building



## Myskham - Firestation - Assembly Guide

Warning: Pushing parts out by hand may cause damage. Parts may need careful removal from the MDF boards with a scalpel, and light sanding of any rough edges. We recommend testing assembling sections before permanently gluing together.



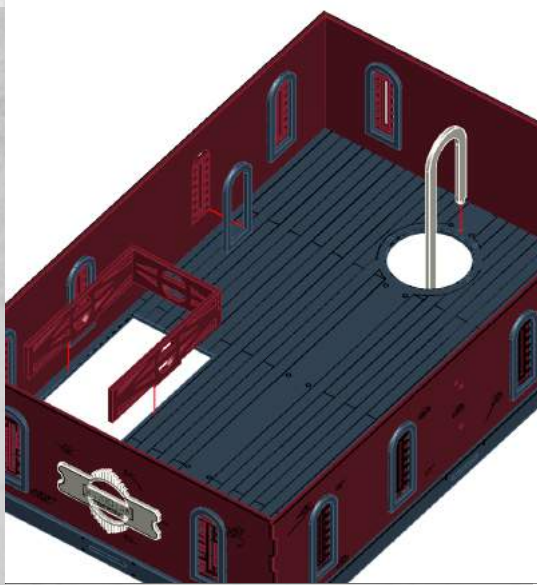
Note: Repeat window frames for all around building



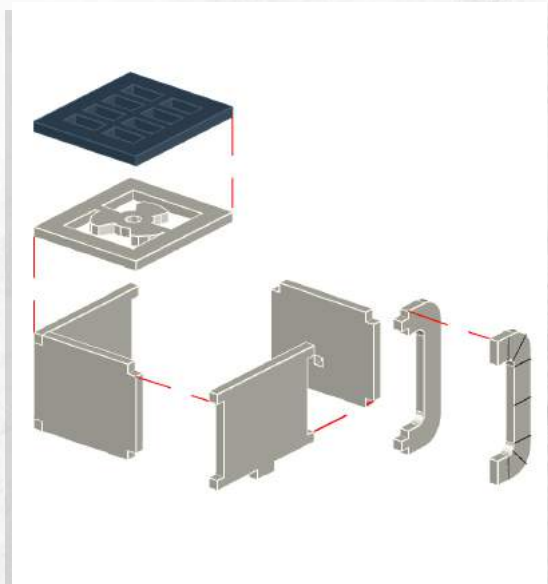
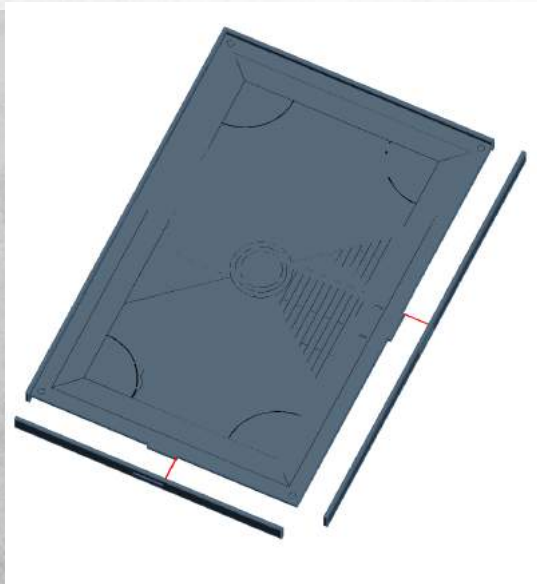
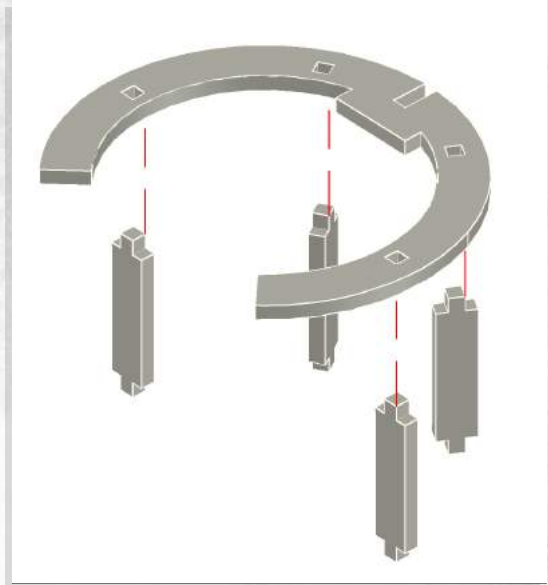
WARCRADLE<sup>TM</sup>  
SCENICS

## Myskham - Firestation - Assembly Guide

Warning: Pushing parts out by hand may cause damage. Parts may need careful removal from the MDF boards with a scalpel, and light sanding of any rough edges. We recommend testing assembling sections before permanently gluing together.



Note: Repeat window frames for all inside building





WARCRADLE<sup>TM</sup>  
SCENICS

## Myskham - Firestation - Assembly Guide

Warning: Pushing parts out by hand may cause damage. Parts may need careful removal from the MDF boards with a scalpel, and light sanding of any rough edges. We recommend testing assembling sections before permanently gluing together.

