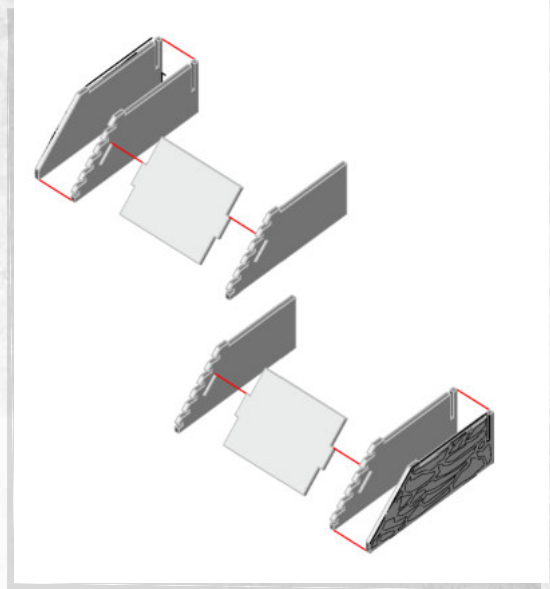


Estun Village - Long Hall - Assembly Guide

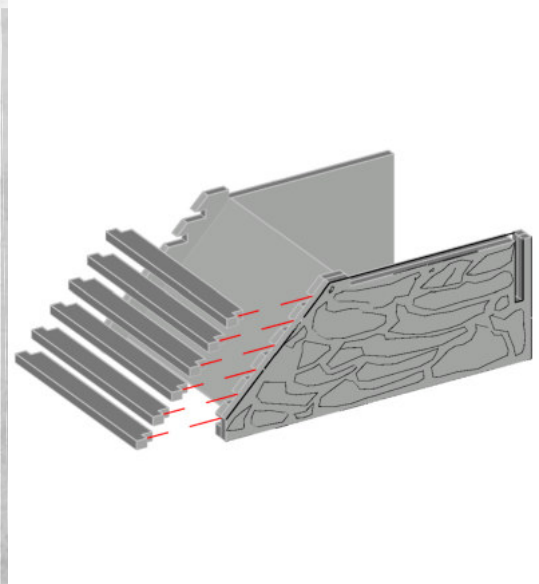
Warning: Pushing parts out by hand may cause damage. Parts may need careful removal from the MDF boards with a scalpel, and light sanding of any rough edges. We recommend testing assembling sections before permanently gluing together.



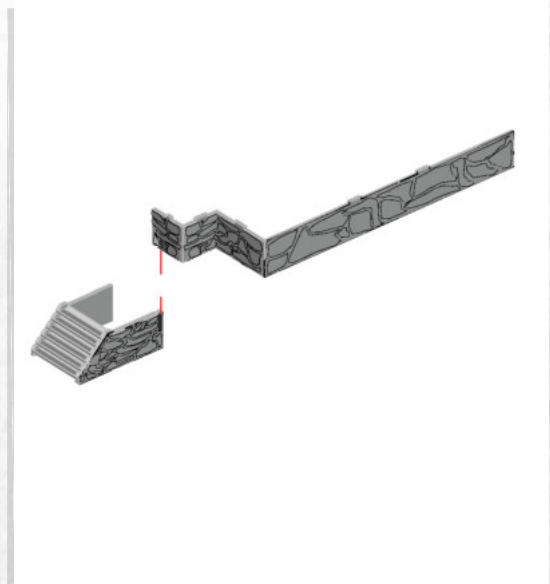
NOTE: Repeat for all



NOTE: Repeat for all



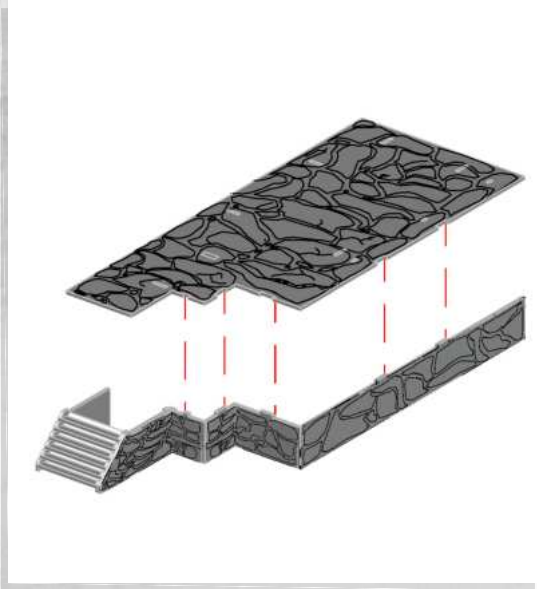
NOTE: Repeat for all



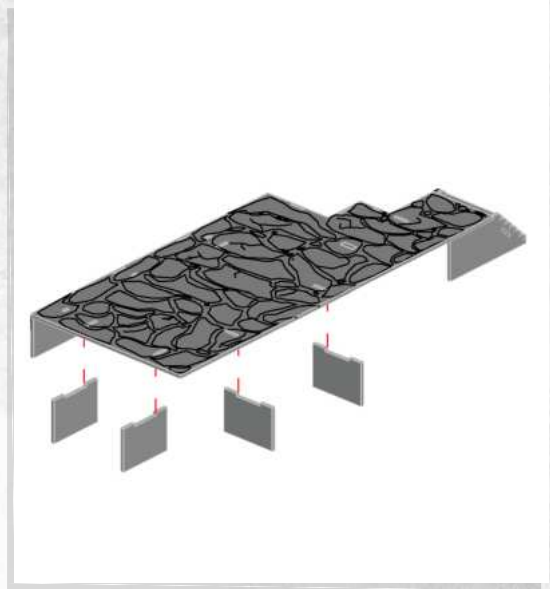
NOTE: Repeat for all

Estun Village - Long Hall - Assembly Guide

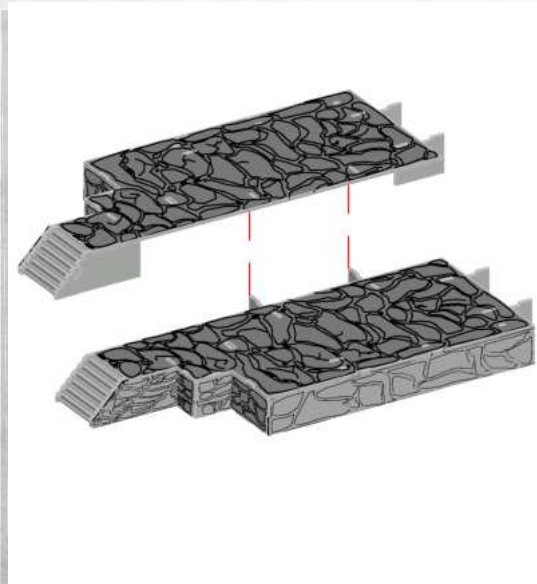
Warning: Pushing parts out by hand may cause damage. Parts may need careful removal from the MDF boards with a scalpel, and light sanding of any rough edges. We recommend testing assembling sections before permanently gluing together.



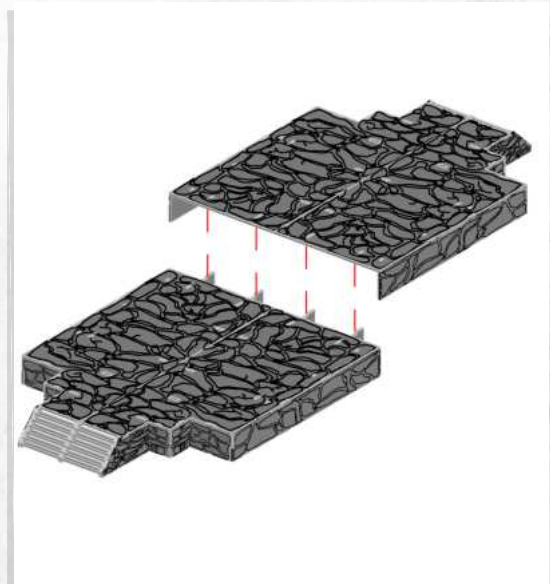
NOTE: Repeat for all



NOTE: Repeat for all

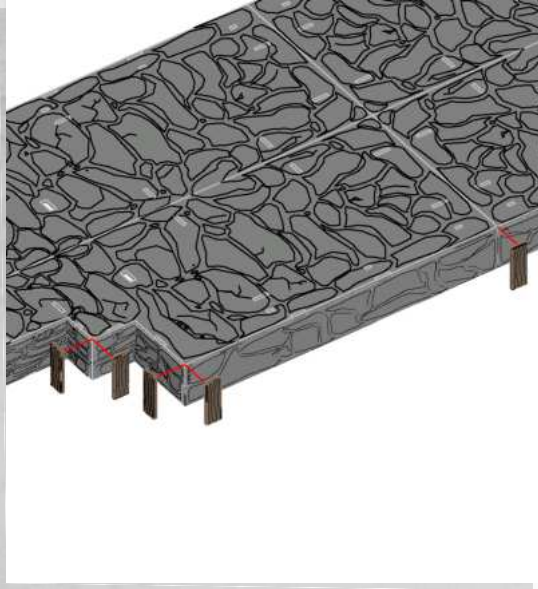


NOTE: Repeat for all



Estun Village - Long Hall - Assembly Guide

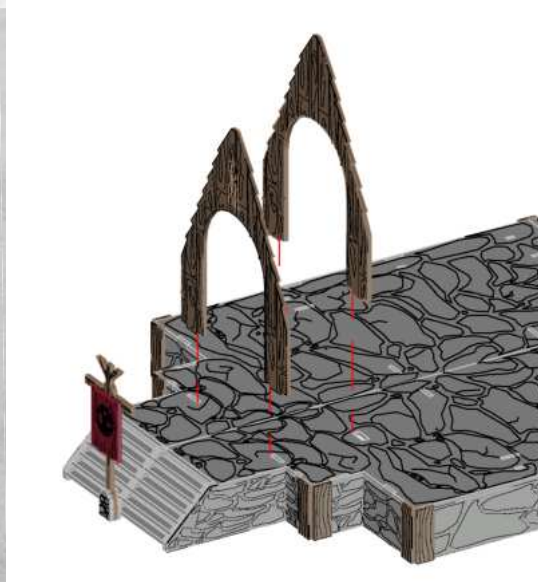
Warning: Pushing parts out by hand may cause damage. Parts may need careful removal from the MDF boards with a scalpel, and light sanding of any rough edges. We recommend testing assembling sections before permanently gluing together.



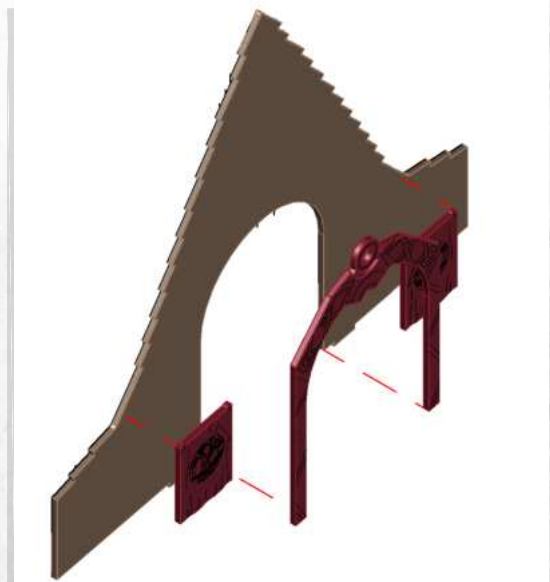
NOTE: Repeat for all sides



NOTE: Repeat for all



NOTE: Repeat for all



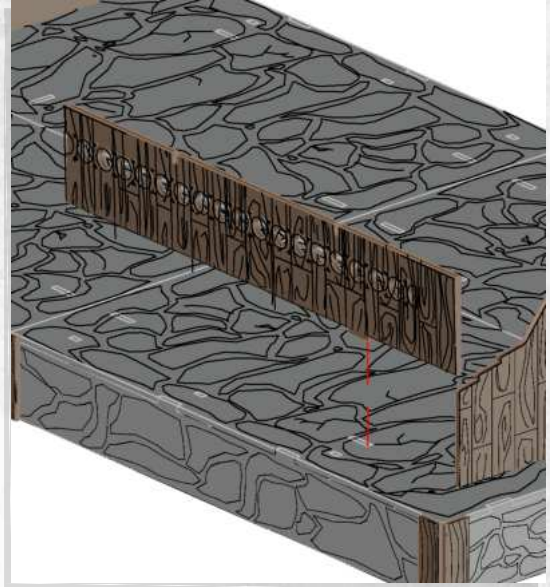
NOTE: Repeat for all

Estun Village - Long Hall - Assembly Guide

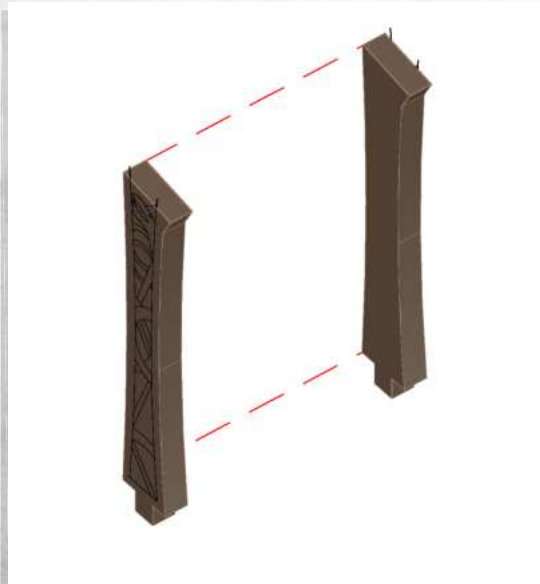
Warning: Pushing parts out by hand may cause damage. Parts may need careful removal from the MDF boards with a scalpel, and light sanding of any rough edges. We recommend testing assembling sections before permanently gluing together.



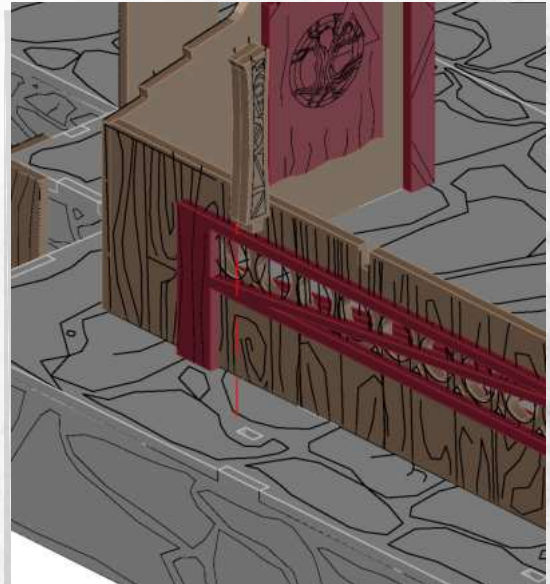
NOTE: Repeat for all



NOTE: Repeat for all



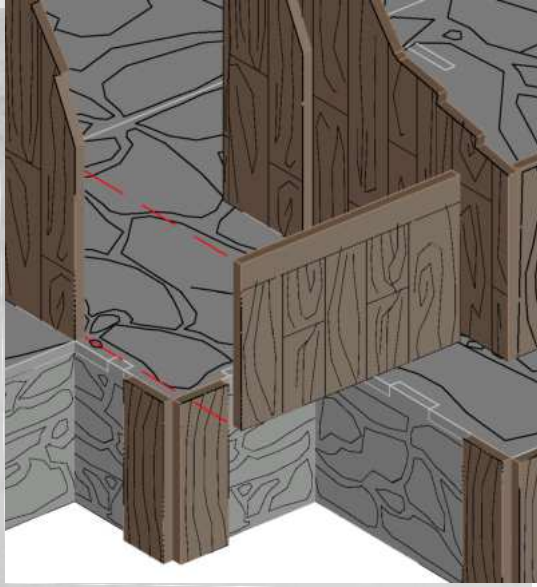
NOTE: Repeat for all



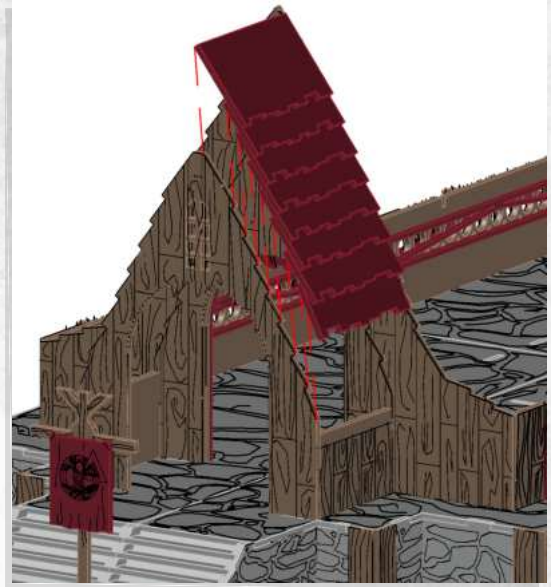
NOTE: Repeat for all

Estun Village - Long Hall - Assembly Guide

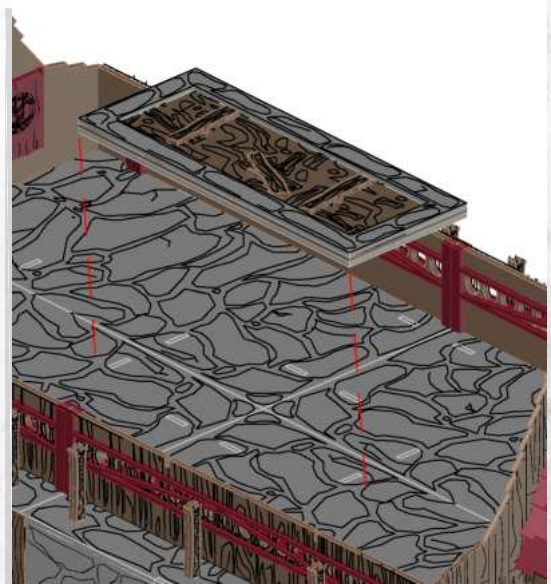
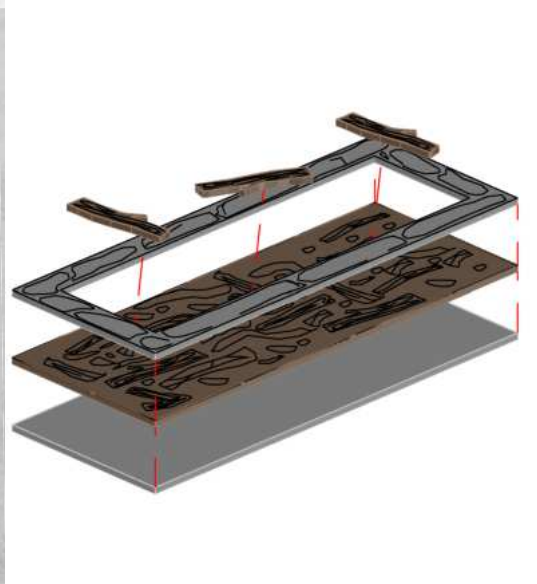
Warning: Pushing parts out by hand may cause damage. Parts may need careful removal from the MDF boards with a scalpel, and light sanding of any rough edges. We recommend testing assembling sections before permanently gluing together.



NOTE: Repeat for all

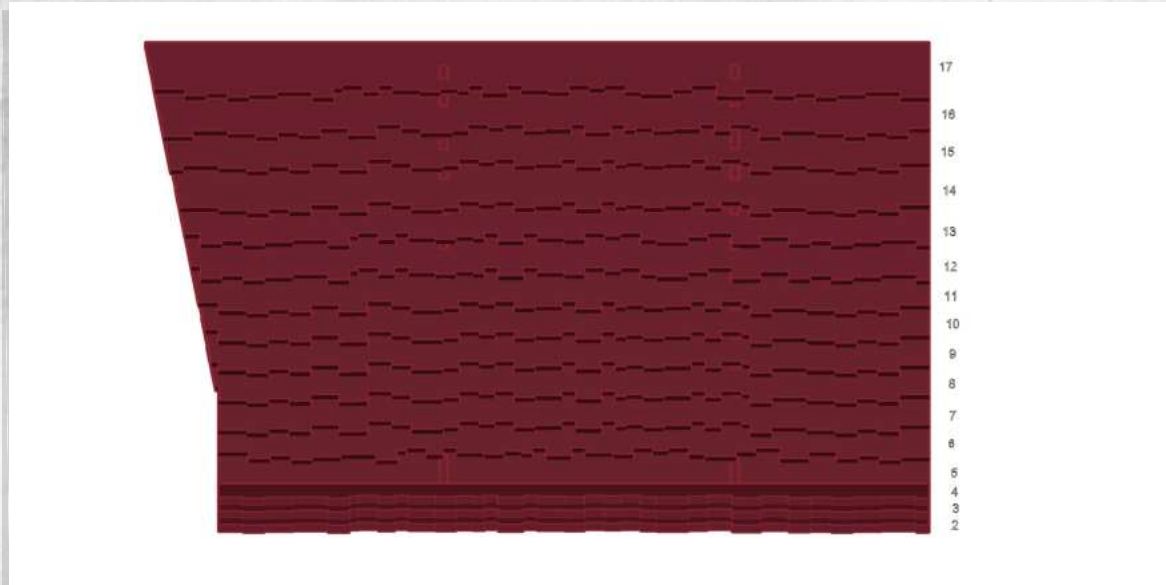


NOTE: Repeat for all

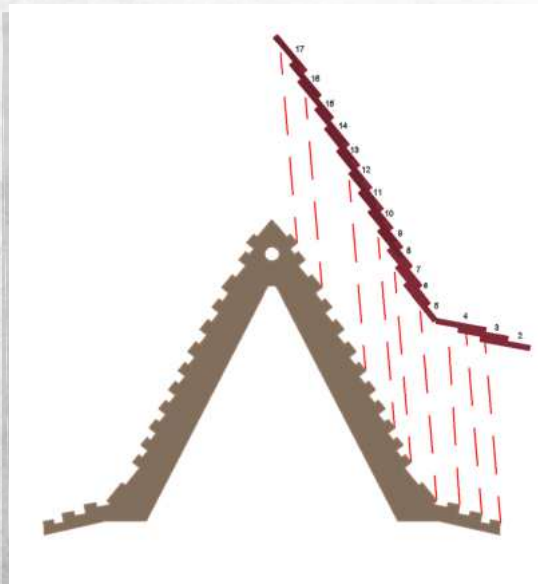


Estun Village - Long Hall - Assembly Guide

Warning: Pushing parts out by hand may cause damage. Parts may need careful removal from the MDF boards with a scalpel, and light sanding of any rough edges. We recommend testing assembling sections before permanently gluing together.



NOTE: When putting tiles onto beams, there is a gradual peak as they increase in length



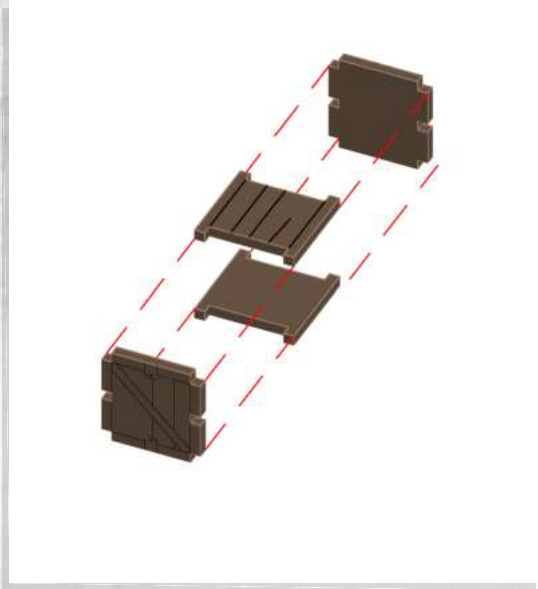
NOTE: Repeat for all



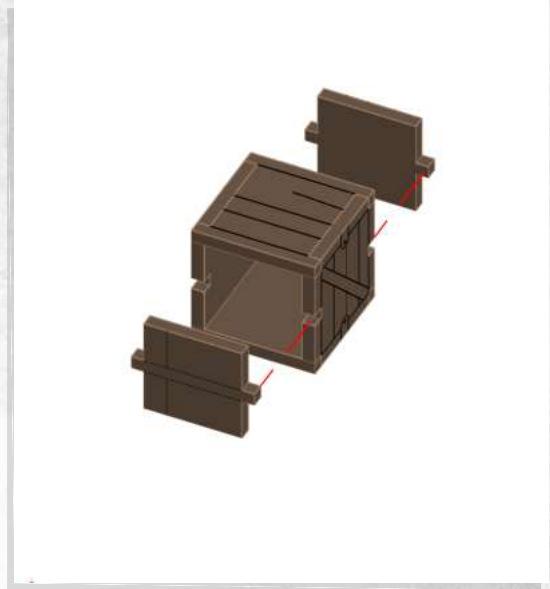
NOTE: Tile number 1 is separate from the others, Repeat for all

Estun Village - Long Hall - Assembly Guide

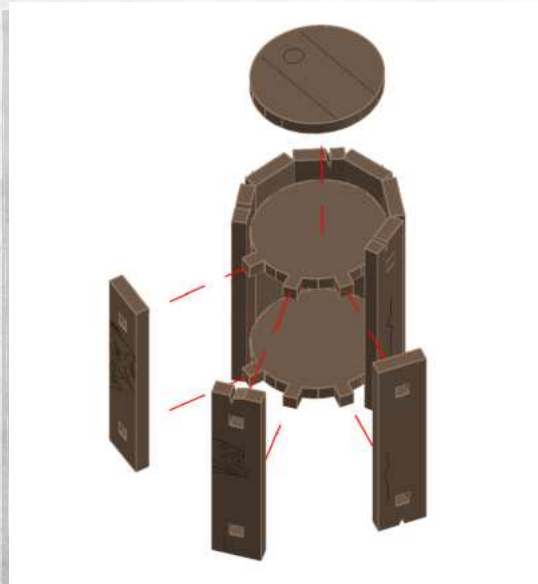
Warning: Pushing parts out by hand may cause damage. Parts may need careful removal from the MDF boards with a scalpel, and light sanding of any rough edges. We recommend testing assembling sections before permanently gluing together.



NOTE: Repeat for all



NOTE: Repeat for all



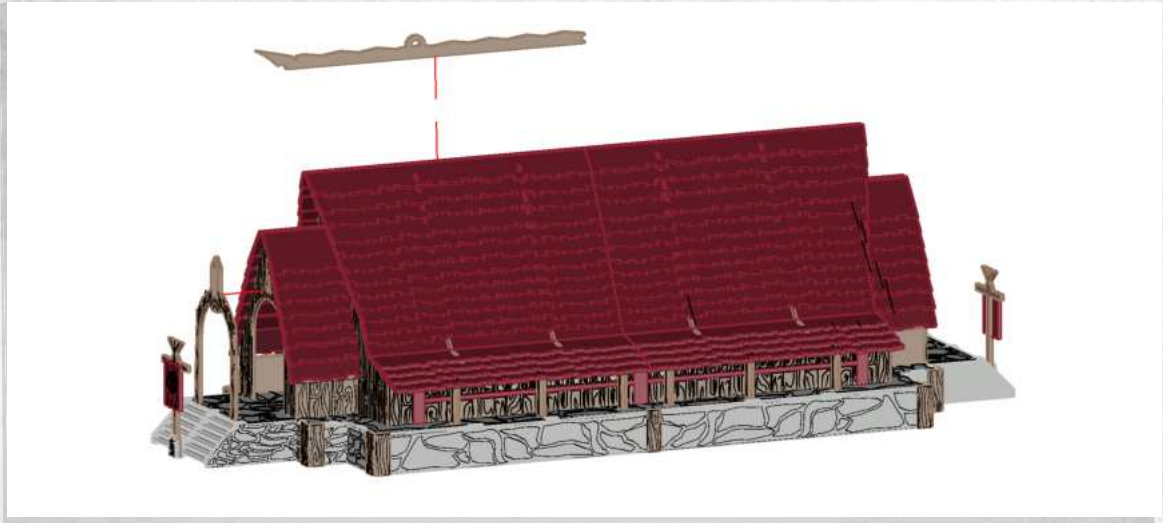
NOTE: Repeat for all



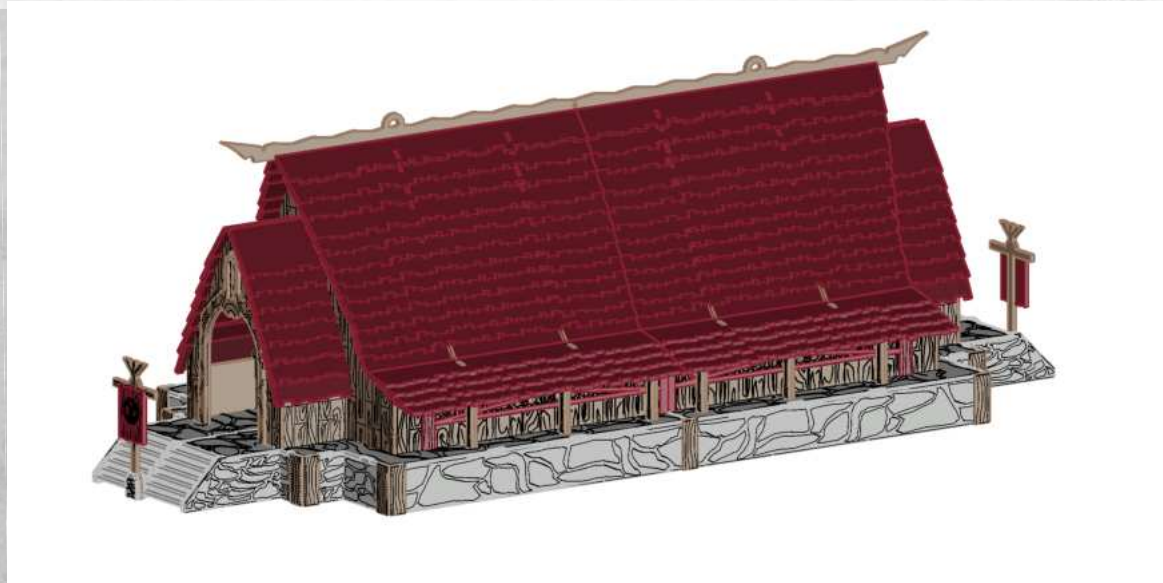
NOTE: Place roof onto building,
DO NOT use glue

Estun Village - Long Hall - Assembly Guide

Warning: Pushing parts out by hand may cause damage. Parts may need careful removal from the MDF boards with a scalpel, and light sanding of any rough edges. We recommend testing assembling sections before permanently gluing together.



NOTE: Repeat for all, glue to beams
not walls



NOTE: Place scatter around and inside building