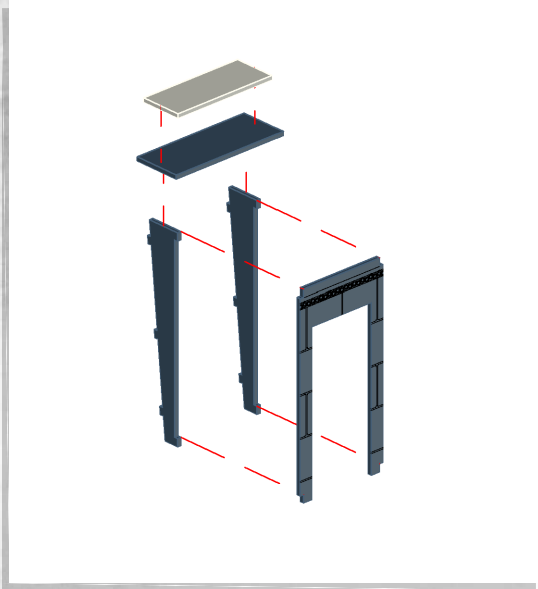


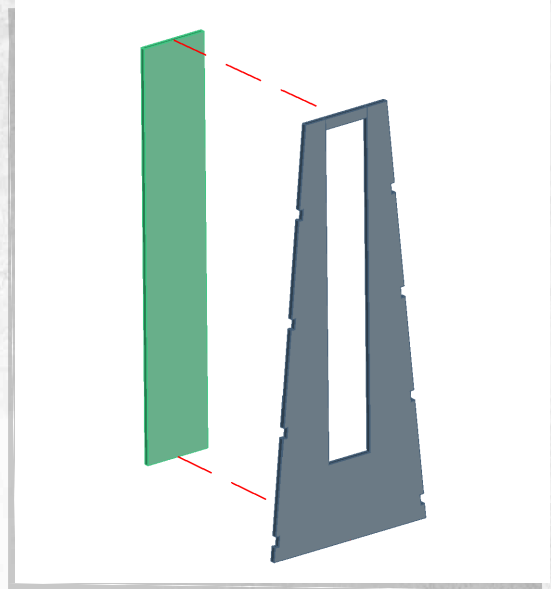


## Immortal Tombs - Entrance - Assembly Guide

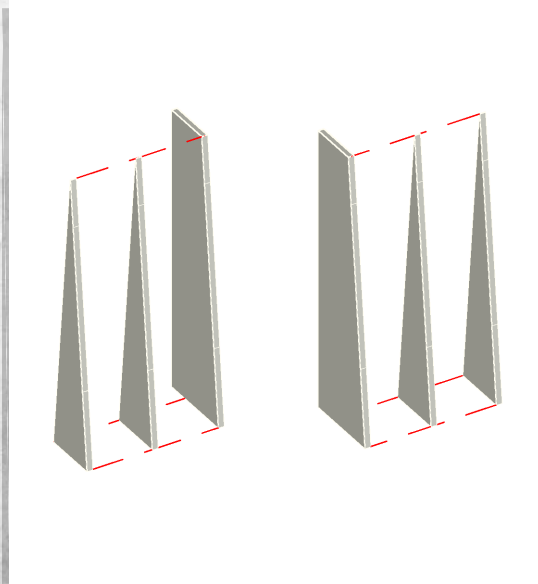
Warning: Pushing parts out by hand may cause damage. Parts may need careful removal from the MDF boards with a scalpel, and light sanding of any rough edges. We recommend testing assembling sections before permanently gluing together.



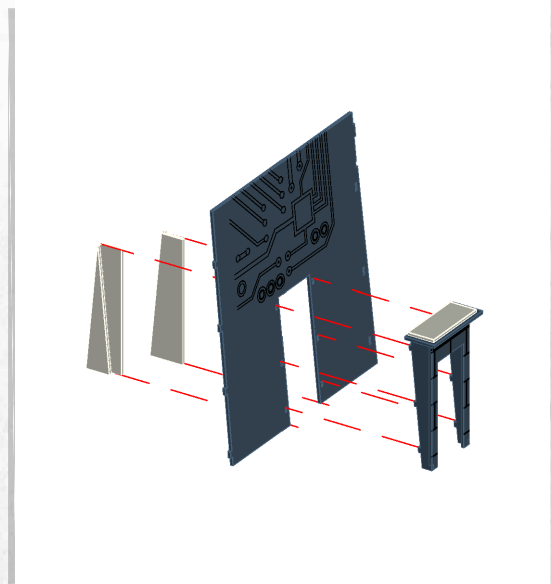
NOTE: Repeat for all



NOTE: Repeat



NOTE: Repeat



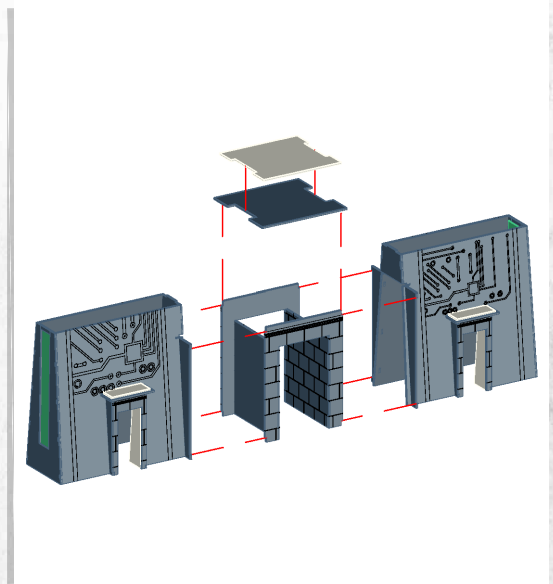
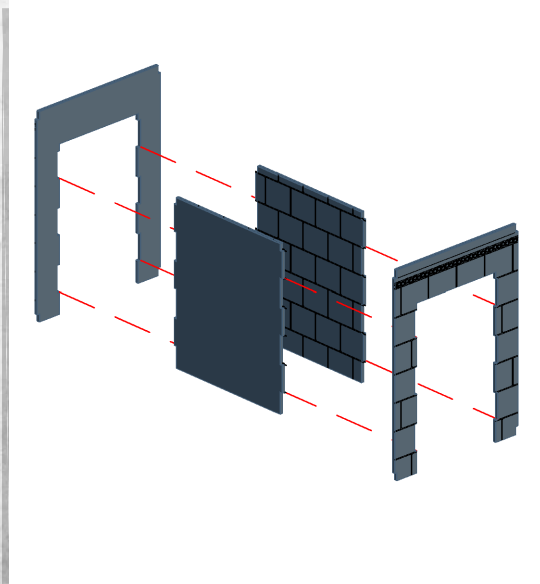
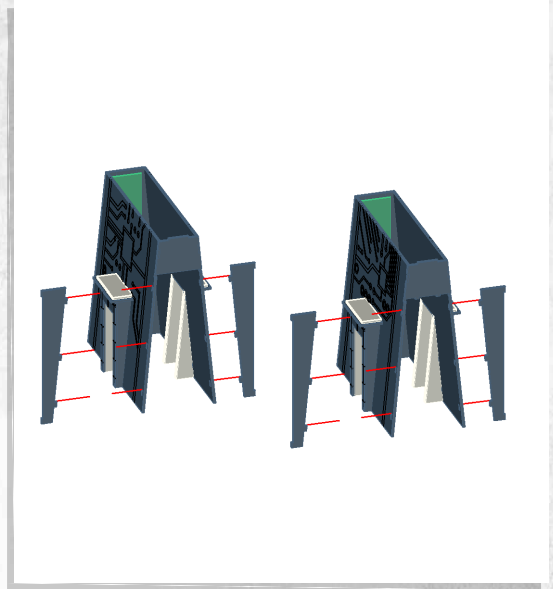
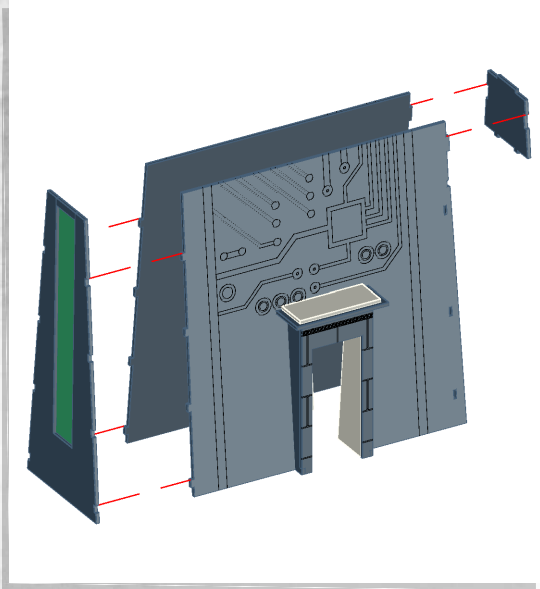
NOTE: Repeat



WARCRADLE<sup>TM</sup>  
SCENICS

## Immortal Tombs - Entrance - Assembly Guide

Warning: Pushing parts out by hand may cause damage. Parts may need careful removal from the MDF boards with a scalpel, and light sanding of any rough edges. We recommend testing assembling sections before permanently gluing together.

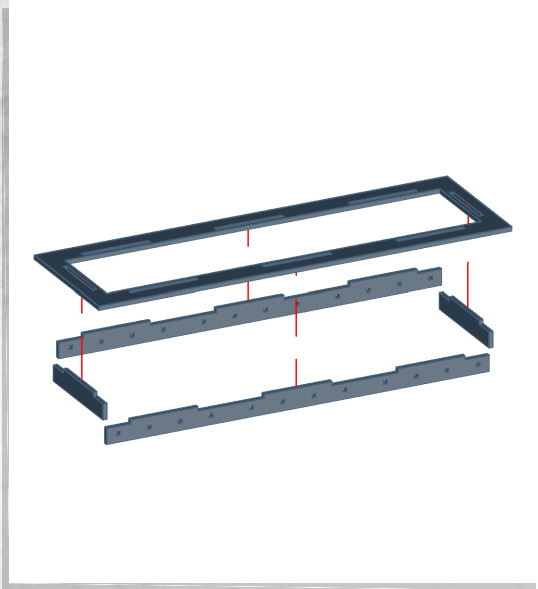




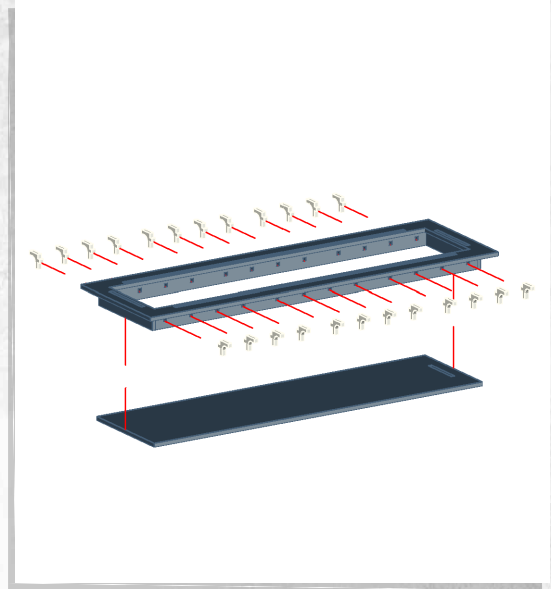
WARCRADLE<sup>TM</sup>  
SCENICS

## Immortal Tombs - Entrance - Assembly Guide

Warning: Pushing parts out by hand may cause damage. Parts may need careful removal from the MDF boards with a scalpel, and light sanding of any rough edges. We recommend testing assembling sections before permanently gluing together.



NOTE: Repeat



NOTE: Repeat

