



SCAN THIS CODE OR VISIT
WILDWESTEXODUS.COM
 FOR ASSEMBLY GUIDES AND MORE!

WEX991399042



WILD WEST EXODUS



RED OAK CREMATORIUM

PART OF THE **DYSTOPIAN AGE**™



@WILDWESTEXODUS



@WARCRADLESTUDIOS



WARNING! NOT A TOY. AGE 14+
 HOBBY GAMING PRODUCT
 CONTAINS SMALL PARTS



ACHTUNG! KEIN SPIELZEUG. ALTER 14+
 HOBBY SPIELPRODUCT
 ENTHÄLT KLEINE TEILE



PRECAUCIÓN! NO ES UN JUGUETE EDADES. 14+
 PRODUCTO DE HOBBY
 CONTIENE PIEZAS PEQUEÑAS



ATTENTION! PAS UN JOUET. ANS 14+
 PRODUIT DE JEU HOBBY
 CONTIENT DE PETITES PIÈCES

THIS PRODUCT CONTAINS MEDIUM DENSITY FIBREBOARD (CLASS E1)

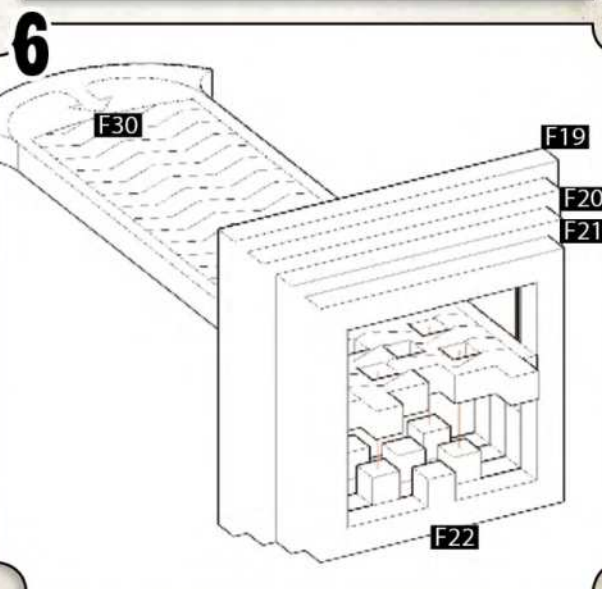
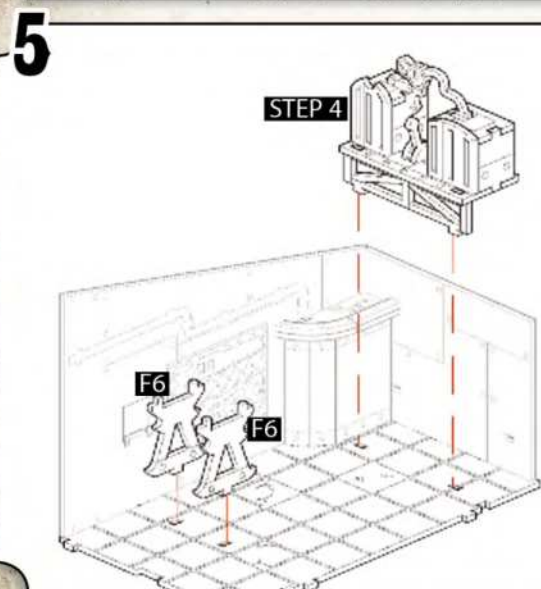
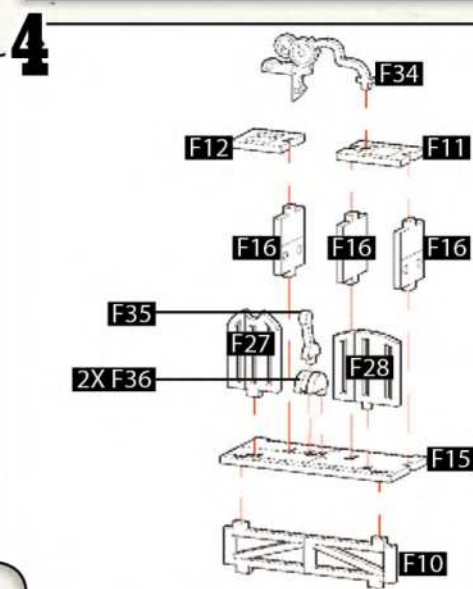
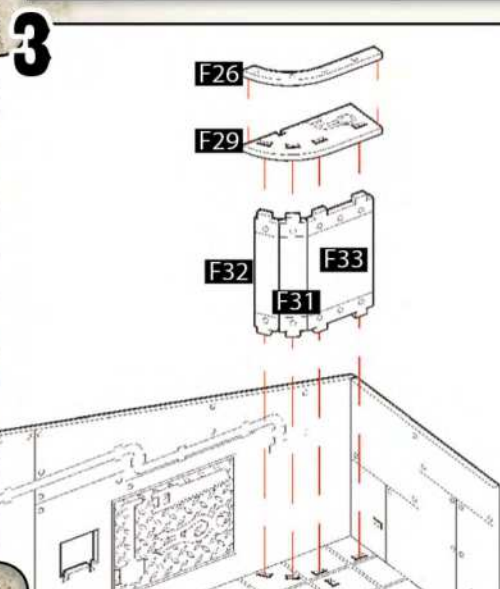
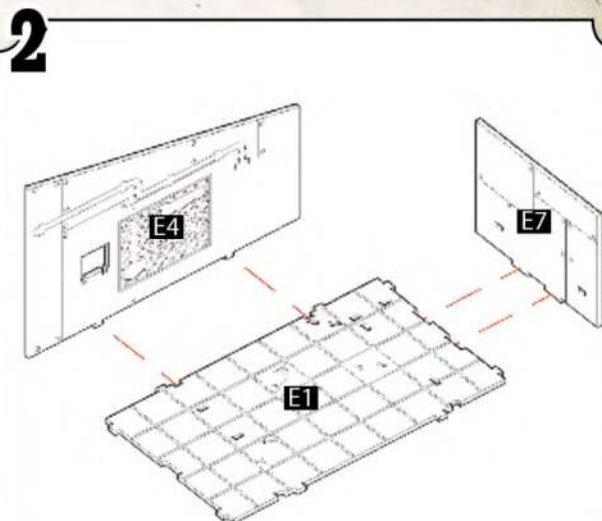
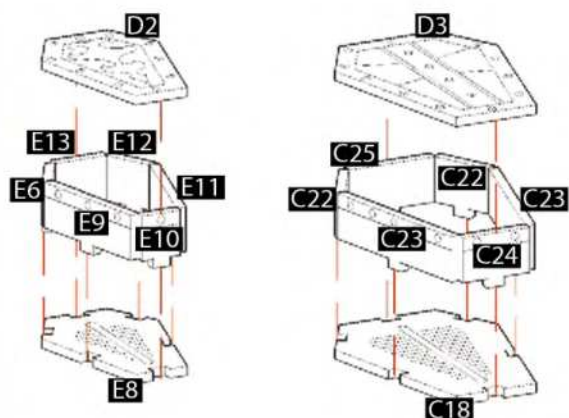


WARCRADLE STUDIOS IS A TRADING NAME OF WAYLAND GAMES LIMITED. WILD WEST EXODUS IS A TRADEMARK OF WAYLAND GAMES LIMITED.
 ILLUSTRATIONS AND DESIGNS ARE COPYRIGHT © 2019 WAYLAND GAMES LIMITED. ASSEMBLED IN THE UK.



Parts may need careful removal from the MDF boards with a scalpel, and light sanding of any rough edges. We recommend testing assembling sections before permanently gluing together.

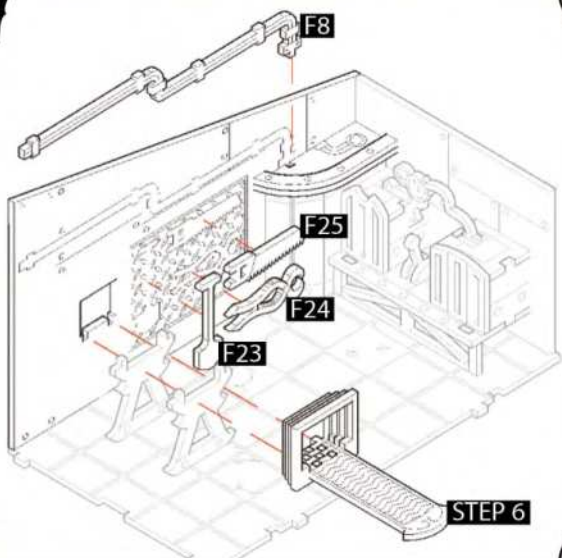
- 1** Set contains enough parts to make 2 standard and 2 large coffins.



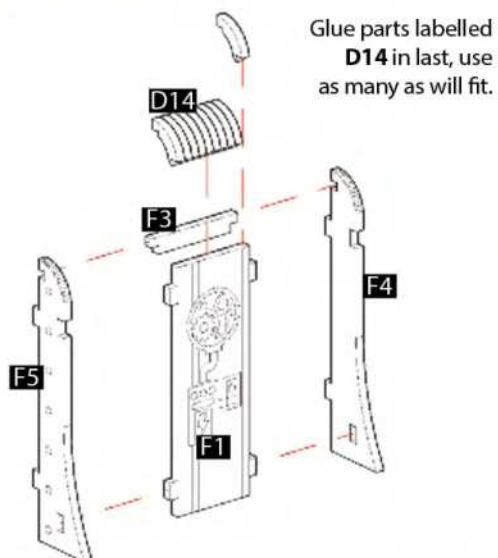


Parts may need careful removal from the MDF boards with a scalpel, and light sanding of any rough edges. We recommend testing assembling sections before permanently gluing together.

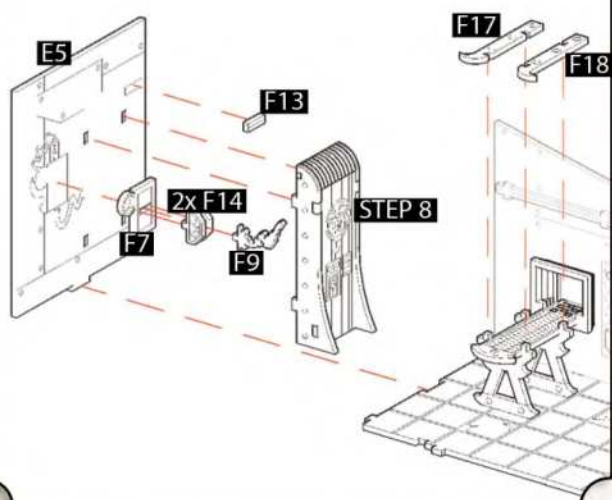
7



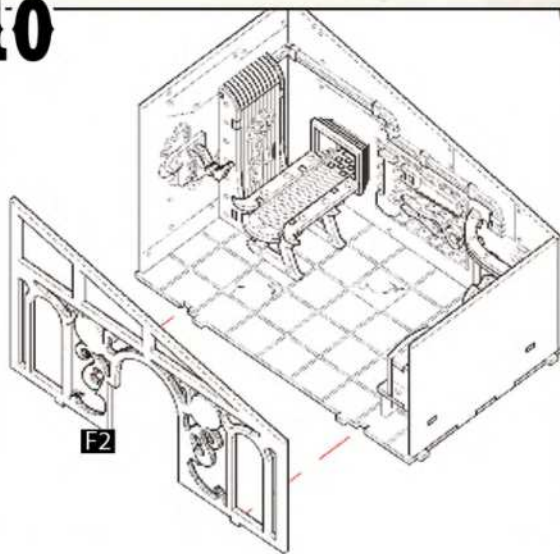
8



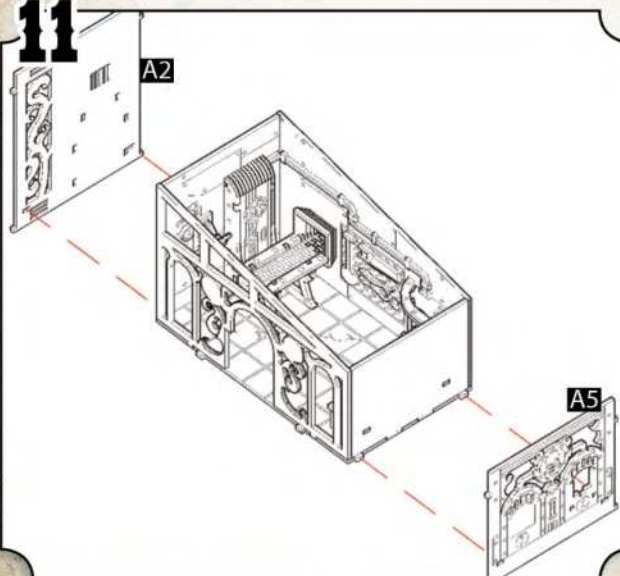
9



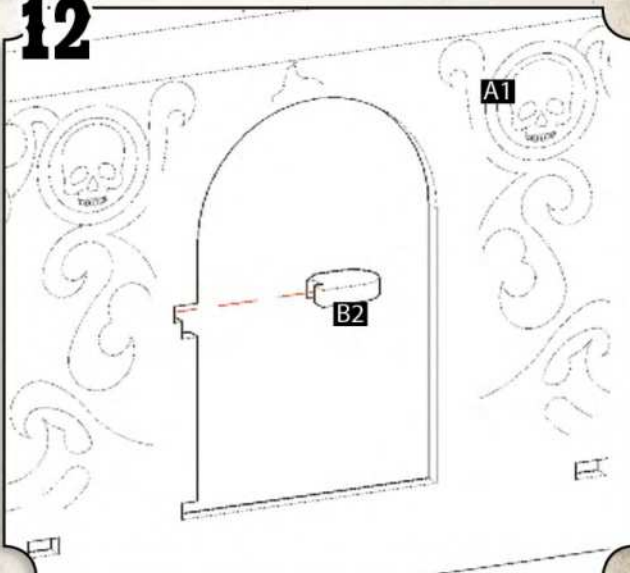
10



11



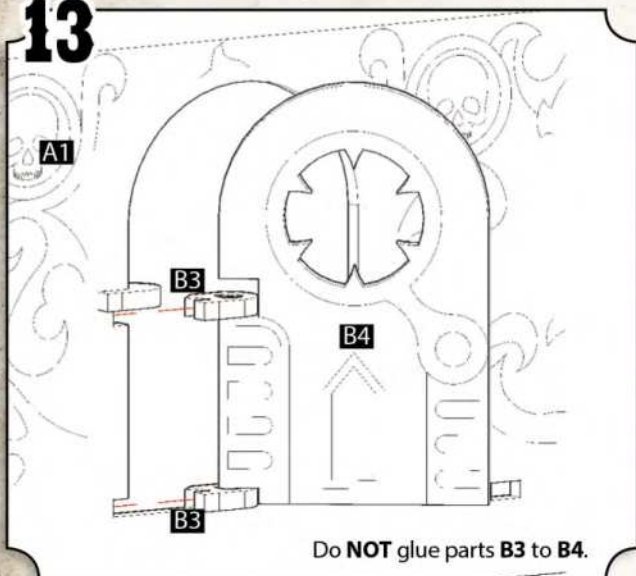
12



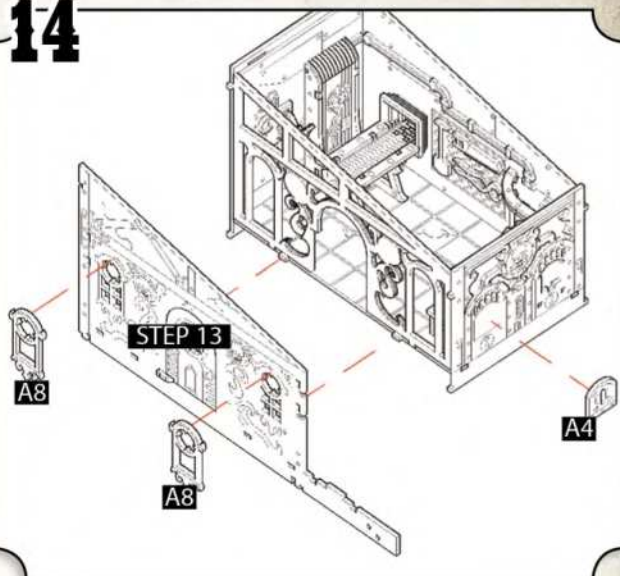


Parts may need careful removal from the MDF boards with a scalpel, and light sanding of any rough edges. We recommend testing assembling sections before permanently gluing together.

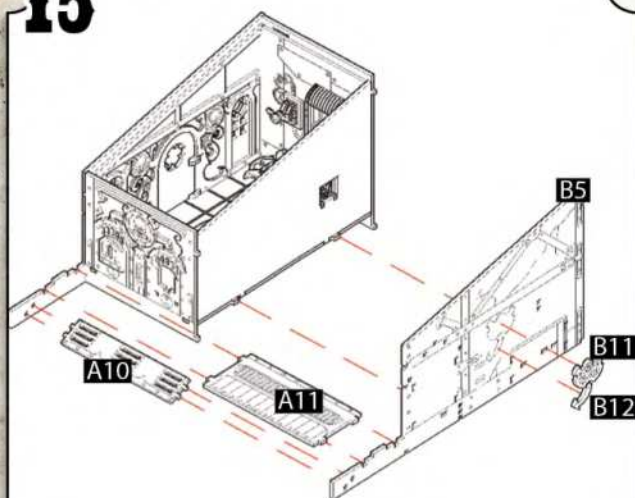
13



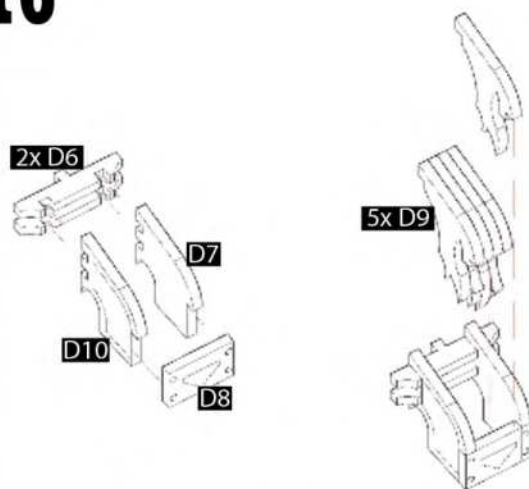
14



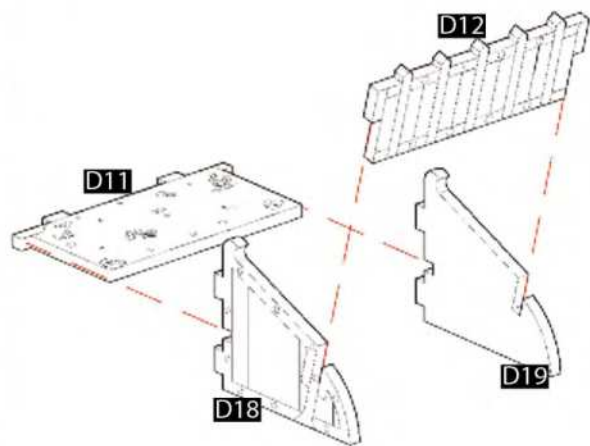
15



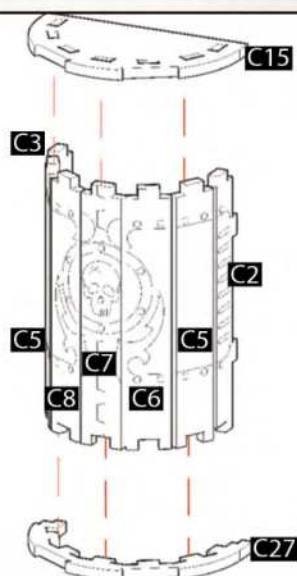
16



17



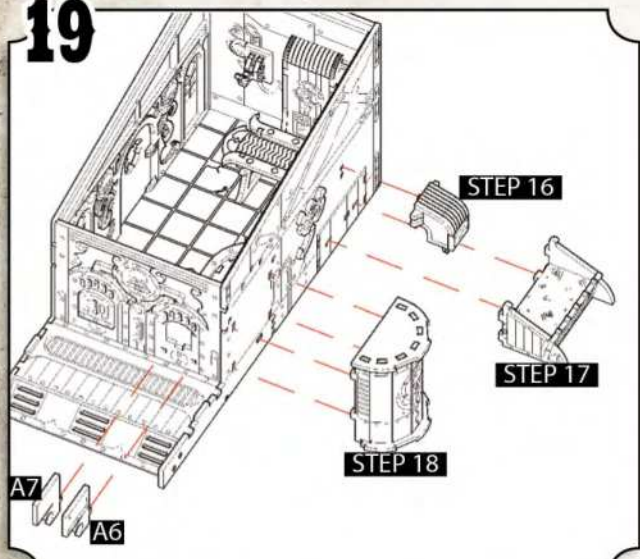
18



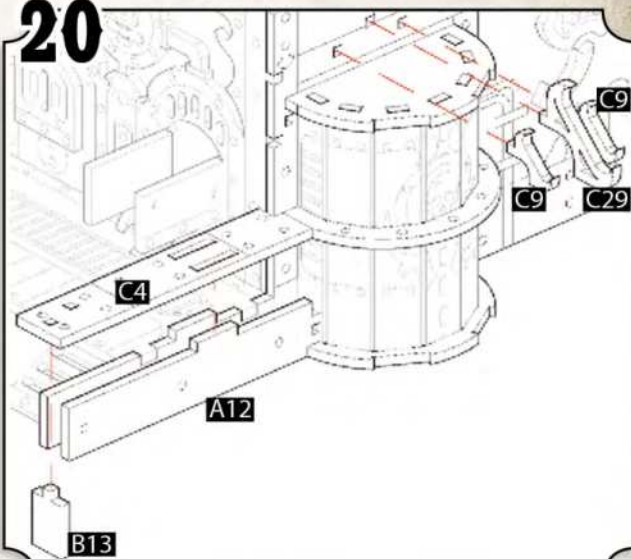


Parts may need careful removal from the MDF boards with a scalpel, and light sanding of any rough edges. We recommend testing assembling sections before permanently gluing together.

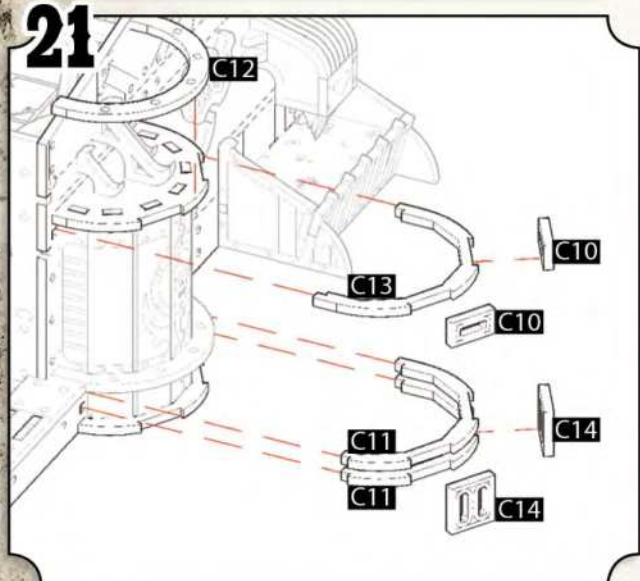
19



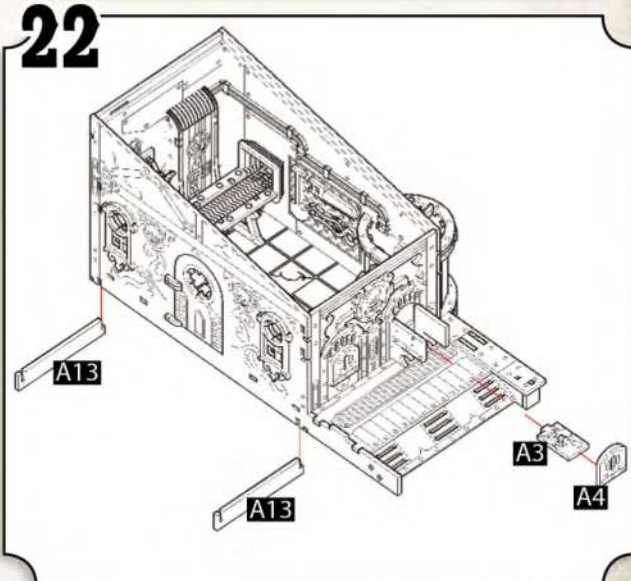
20



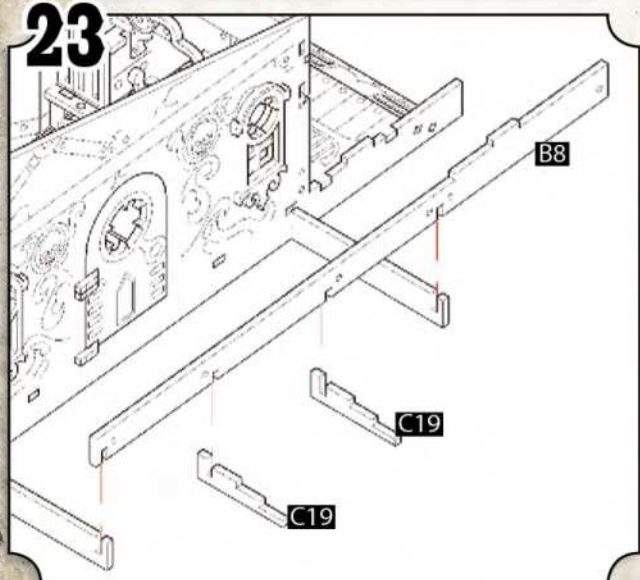
21



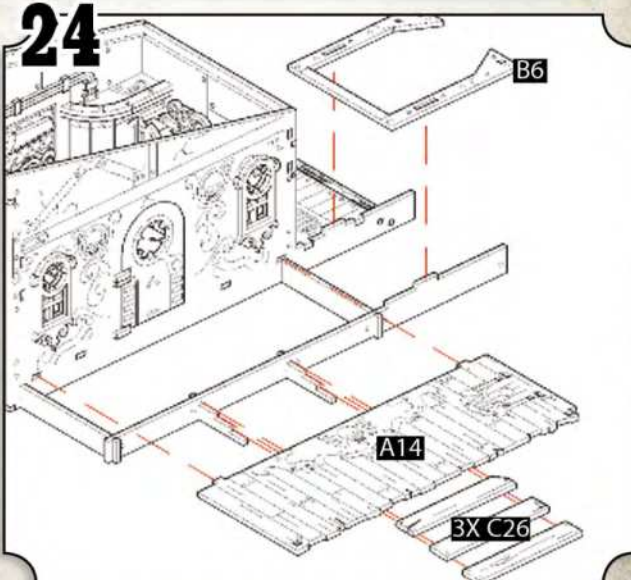
22



23



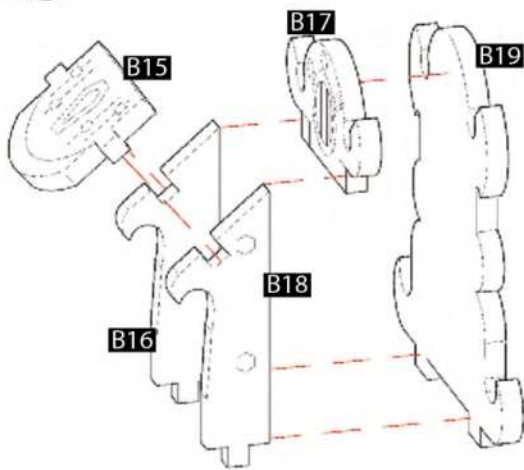
24



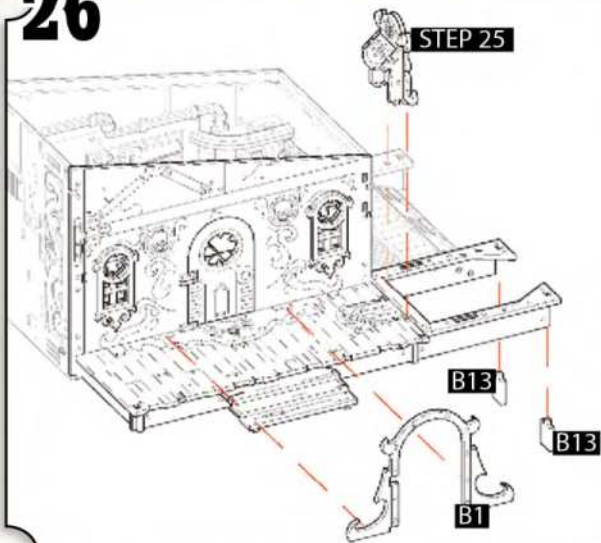


Parts may need careful removal from the MDF boards with a scalpel, and light sanding of any rough edges. We recommend testing assembling sections before permanently gluing together.

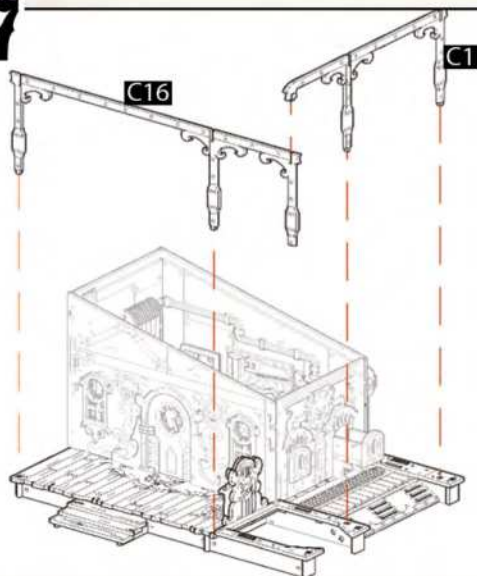
25



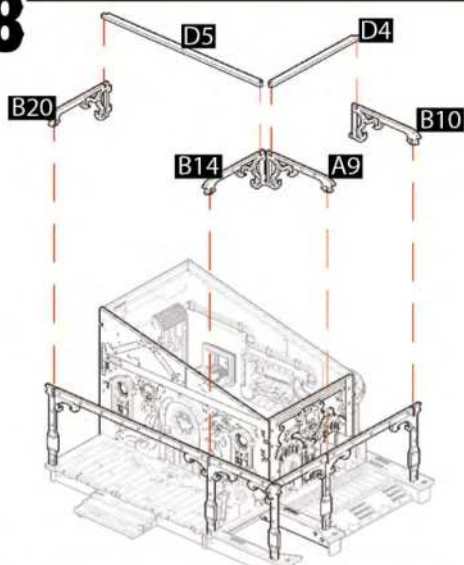
26



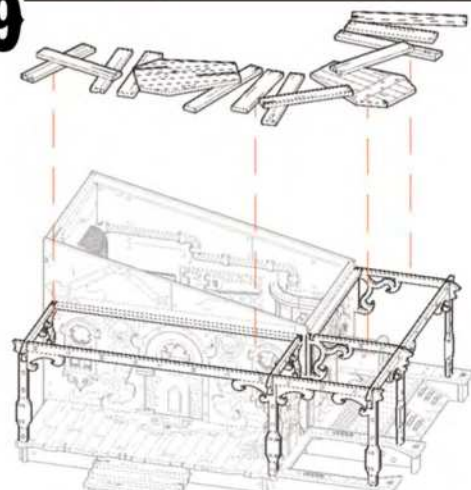
27



28

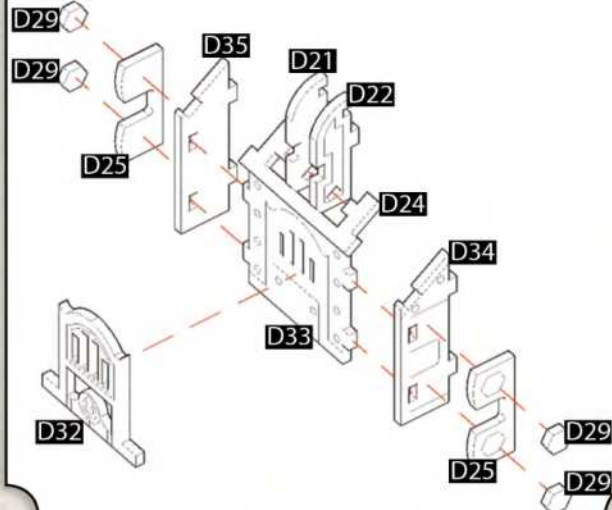


29



Arrange planks (C26) and spare coffin lids in any configuration to form the roof.

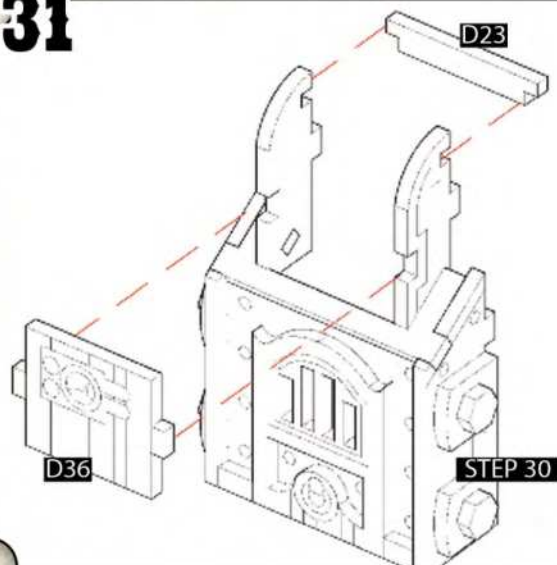
30



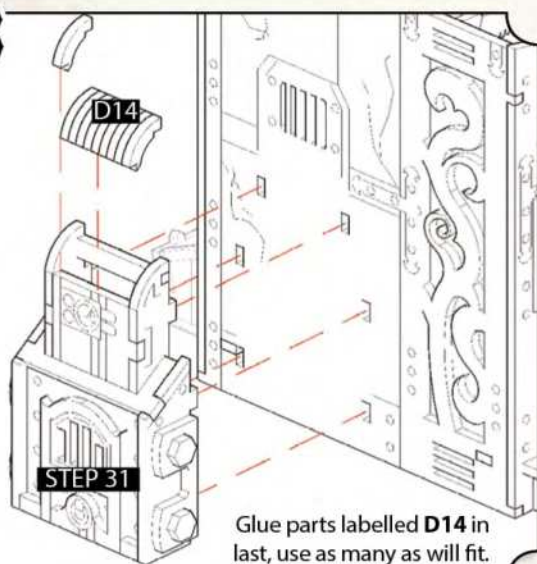


Parts may need careful removal from the MDF boards with a scalpel, and light sanding of any rough edges. We recommend testing assembling sections before permanently gluing together.

31

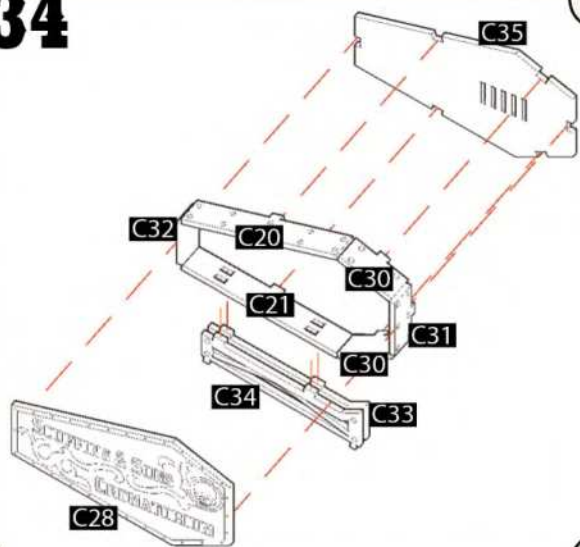


33

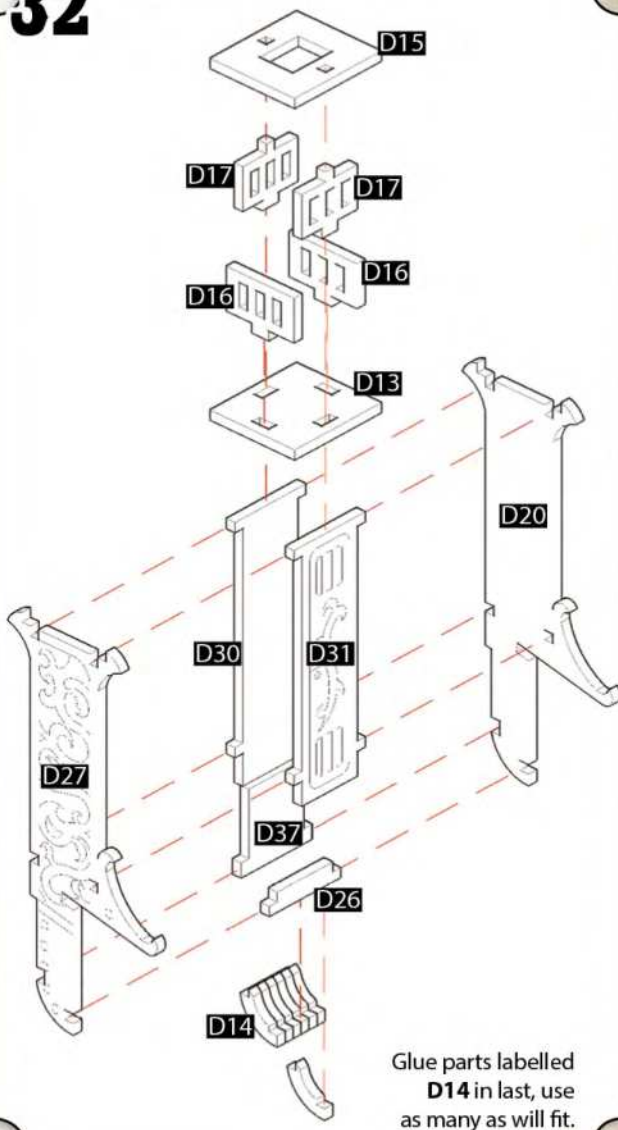


Glue parts labelled **D14** in last, use as many as will fit.

34

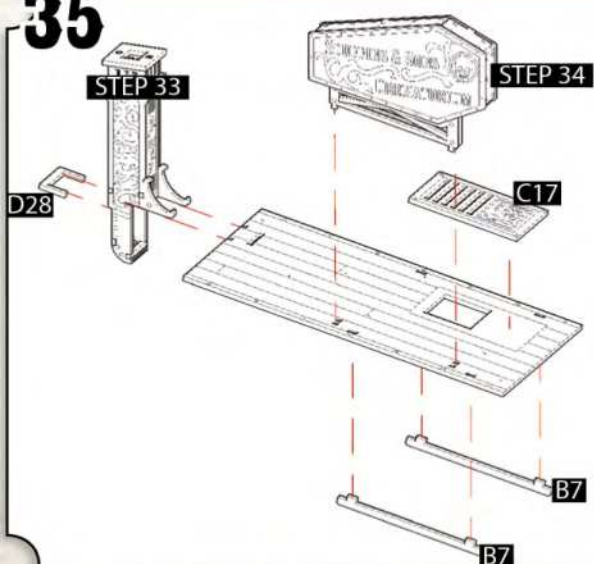


32



Glue parts labelled **D14** in last, use as many as will fit.

35



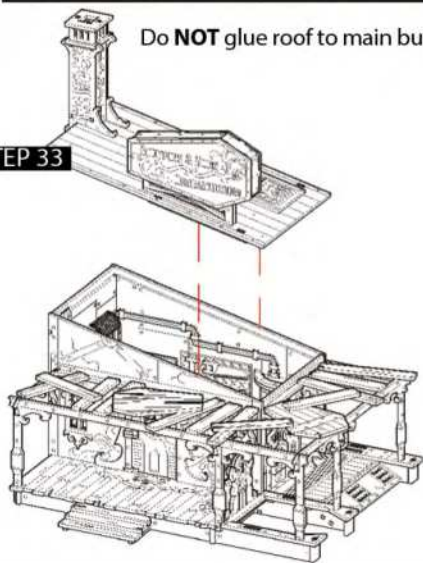


Parts may need careful removal from the MDF boards with a scalpel, and light sanding of any rough edges. We recommend testing assembling sections before permanently gluing together.

36

Do **NOT** glue roof to main building.

STEP 33



37

Parts labelled **E2** & **E3** as well as any spare planks, coffin lids or metal plates can be used anywhere.

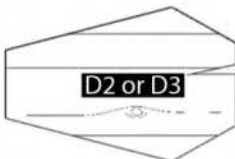
E2



E3



D2 or D3



D1

