



SCAN THIS CODE OR VISIT
WILDWESTEXODUS.COM
 FOR ASSEMBLY GUIDES AND MORE!

WEX991399038



RED OAK GALLOWS & CLOCK

PART OF THE **DYSTOPIAN AGE**



@WILDWESTEXODUS



@WARCRADLESTUDIOS



WARNING! NOT A TOY. AGE 14+
 HOBBY GAMING PRODUCT
 CONTAINS SMALL PARTS



ACHTUNG! KEIN SPIELZEUG. ALTER 14+
 HOBBY SPIELPRODUCT
 ENTHÄLT KLEINE TEILE



PRECAUCIÓN! NO ES UN JUGUETE EDADES. 14+
 PRODUCTO DE HOBBY
 CONTIENE PIEZAS PEQUEÑAS



ATTENTION! PAS UN JOUET. ANS 14+
 PRODUIT DE JEU HOBBY
 CONTIENT DE PETITES PIÈCES

THIS PRODUCT CONTAINS MEDIUM DENSITY FIBREBOARD (CLASS E1)

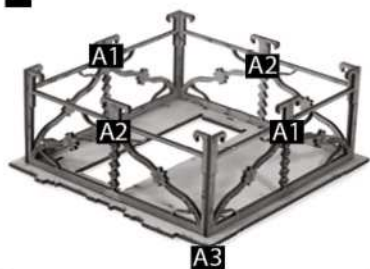


WARCRADLE STUDIOS IS A TRADING NAME OF WAYLAND GAMES LIMITED. WILD WEST EXODUS IS A TRADEMARK OF WAYLAND GAMES LIMITED. ILLUSTRATIONS AND DESIGNS ARE COPYRIGHT © 2018 WAYLAND GAMES LIMITED. ASSEMBLED IN THE UK.



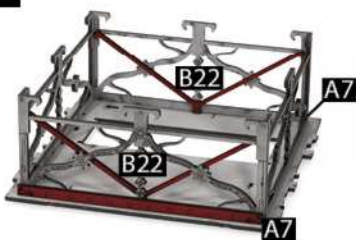
Parts may need careful removal from the MDF boards with a scalpel, and light sanding of any rough edges. We recommend testing assembling sections before permanently gluing together.

1



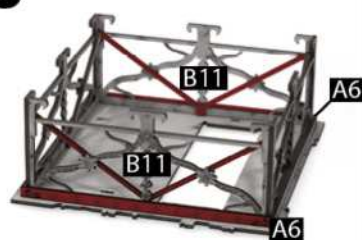
- Connect 2x A1 to the underside of A3 as shown.
- Connect 2x A2 to A3.

2



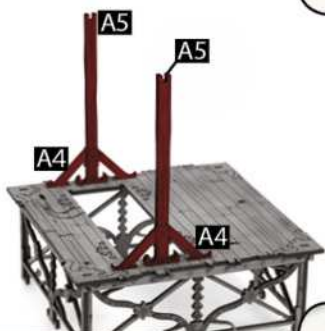
- Glue A7 onto the outside of A1.
- Glue B22 onto the inside of A1.
- Repeat on opposite side.

3



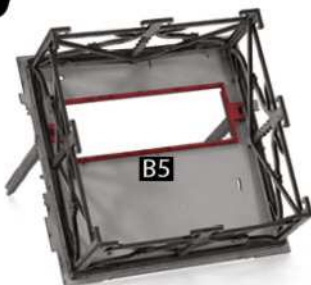
- Glue A6 onto the outside of A2.
- Glue B11 onto the inside of A2.
- Repeat on opposite side.

4



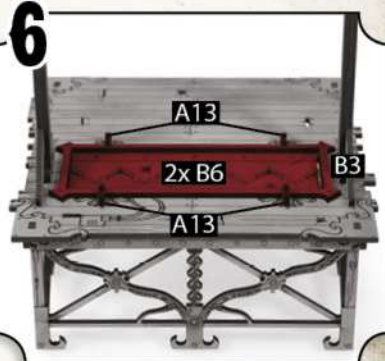
- Connect 2x A5 to A3.
- Connect 2x A4 to A5.

5



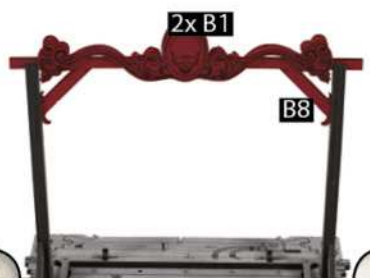
- Glue B5 on the underside of A3.

6



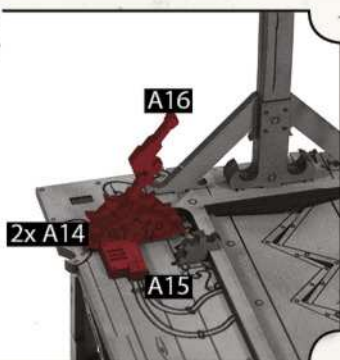
- Place 2x B6 where shown, doors can be assembled as either opened or closed.
- Glue B3 in place.
- Glue 4x A13 onto B3.

7



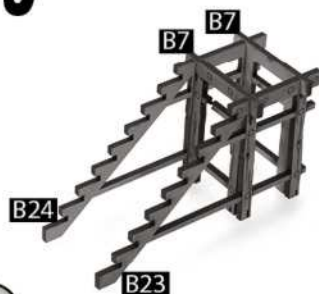
- Connect B8 to the two vertical posts.
- Glue a B1 on either side of B8.

8



- Combine A14, A16 & A14, connect where shown.
- Glue A15 beside the lever.

9



- Slot 2x B7 onto B23 & B24.



Parts may need careful removal from the MDF boards with a scalpel, and light sanding of any rough edges. We recommend testing assembling sections before permanently gluing together.

10



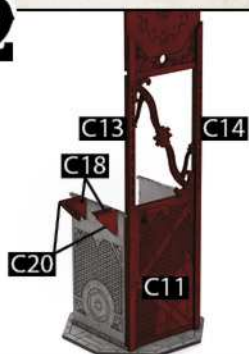
- Slot 8x B9 onto the staircase to form the steps.
- Glue B15 on top.

11



- Connect C22 to C12.
- Connect C23 to C12.
- Slot C10 into C23.

12



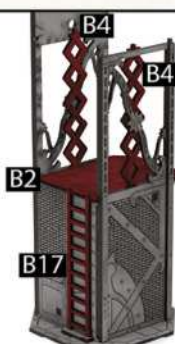
- Connect 2x C18 to C22
- Connect 2x C20 to C22.
- Connect C11 to the base (C12).
- Glue C13 & C14 onto C11 where shown.

13



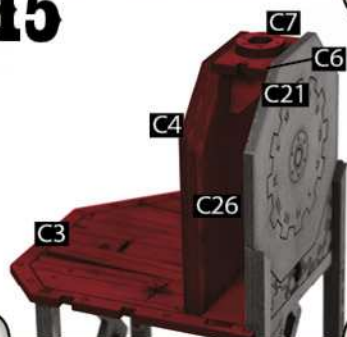
- Connect C15 to the base (C12).
- Glue C24 & C25 onto C15 where shown.
- Glue B14 to 2x C18.

14



- Glue B2 where shown.
- Connect B17 to B2 & the base (C10).
- Connect 2x B4 to B2.

15



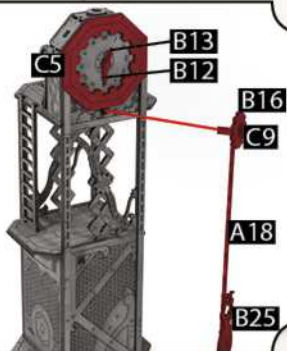
- Glue C3 to the top of the clock tower.
- Connect C21 to C6.
- Connect C21 to C26.
- Connect C4 & C26 to C3.
- Glue C7 on top of C6.

16



- Glue B17 where shown.
- Connect C1 & C2 to C3.
- Glue 2x C8 where shown.
- Cogs are included to glue where desired (parts C16, C17 & C19).

17



- Glue C5 onto the clock face.
- Glue the clock hands (B12 & B13) as desired on the clock face.
- Combine A18, B16 & B25 as shown to form the pendulum.
- Glue C9 to B16.
- Connect the pendulum as shown.

18



- Spare parts are included to customise your set, (parts A8, A9, A10, A11, A12, A17, A19 & B10).