




SCAN THIS CODE OR VISIT
WILDWESTEXODUS.COM
 FOR ASSEMBLY GUIDES AND MORE!

WEX991399035



WILD WEST EXODUS




RED OAK SALOON

PART OF THE



@WILDWESTEXODUS



@WARCRADLESTUDIOS

! WARNING! NOT A TOY. AGE 14+ HOBBY GAMING PRODUCT CONTAINS SMALL PARTS

! ACHTUNG! KEIN SPIELZEUG. ALTER 14+ HOBBY SPIELPRODUCT ENTHÄLT KLEINE TEILE

! PRECAUCIÓN! NO ES UN JUGUETE EDADES. 14+ PRODUCTO DE HOBBY CONTIENE PIEZAS PEQUEÑAS

! ATTENTION! PAS UN JOUET. ANS 14+ PRODUIT DE JEU HOBBY CONTIENT DE PETITES PIÈCES

THIS PRODUCT CONTAINS MEDIUM DENSITY FIBREBOARD (CLASS E1)

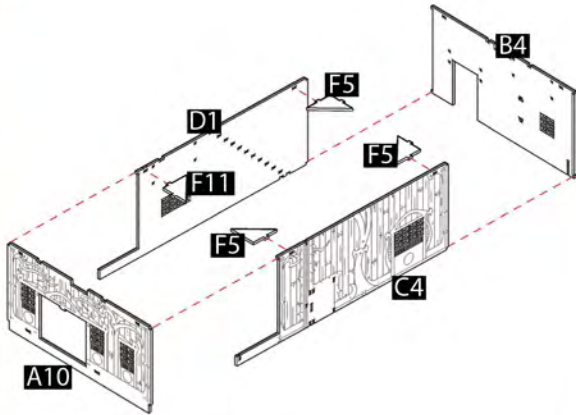


WARCRADLE STUDIOS IS A TRADING NAME OF WAYLAND GAMES LIMITED. WILD WEST EXODUS IS A TRADEMARK OF WAYLAND GAMES LIMITED. ILLUSTRATIONS AND DESIGNS ARE COPYRIGHT © 2018 WAYLAND GAMES LIMITED. ASSEMBLED IN THE UK.

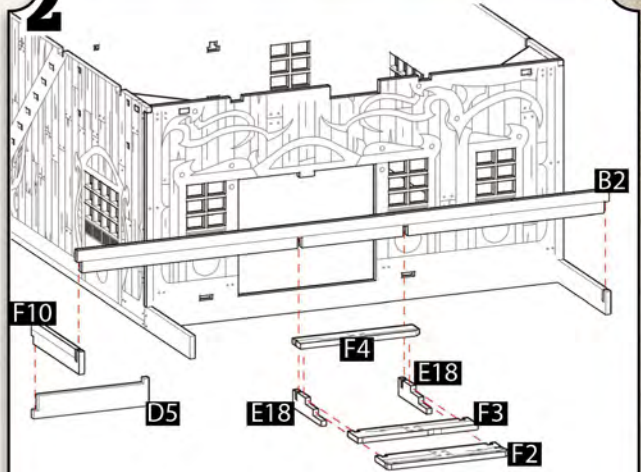


Parts may need careful removal from the MDF boards with a scalpel, and light sanding of any rough edges. We recommend testing assembling sections before permanently gluing together.

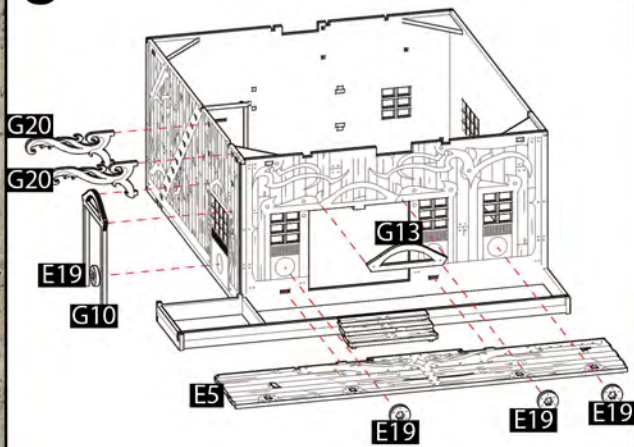
1



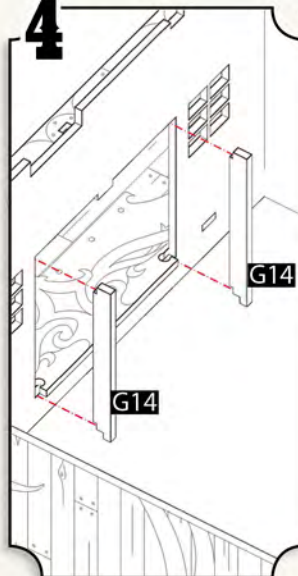
2



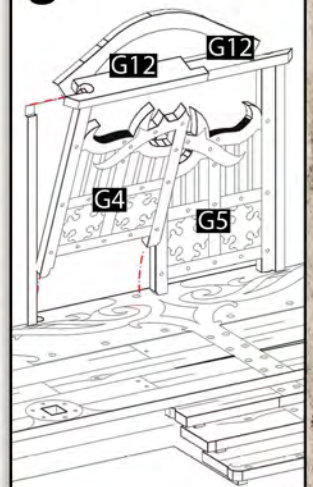
3



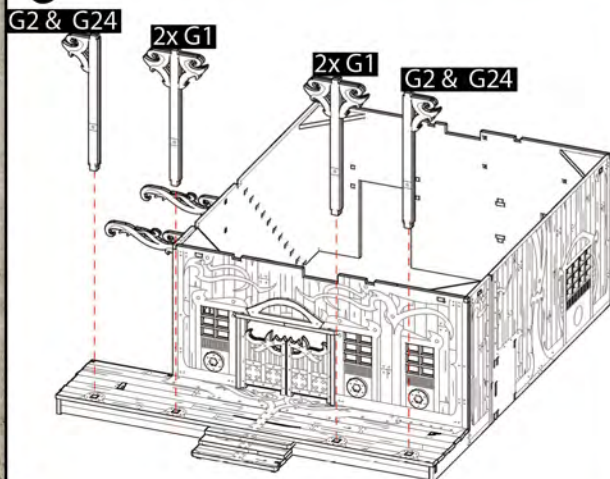
4



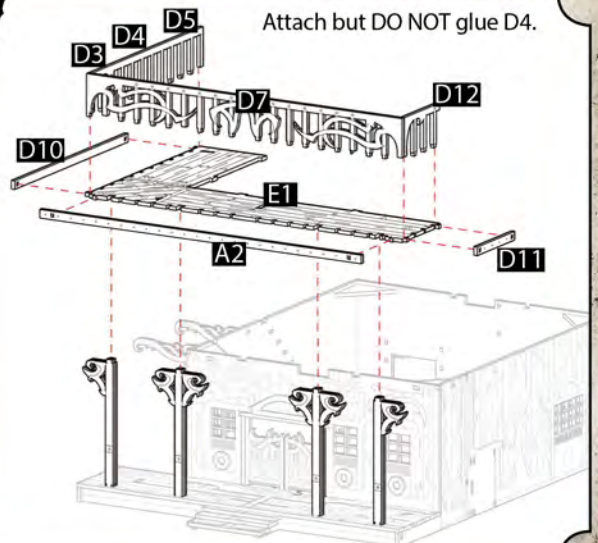
5



6



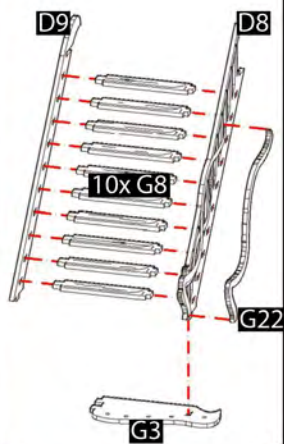
7



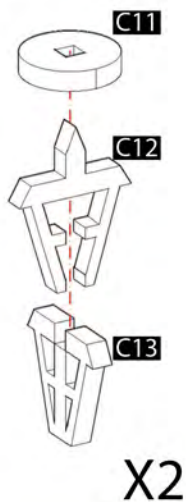


Parts may need careful removal from the MDF boards with a scalpel, and light sanding of any rough edges. We recommend testing assembling sections before permanently gluing together.

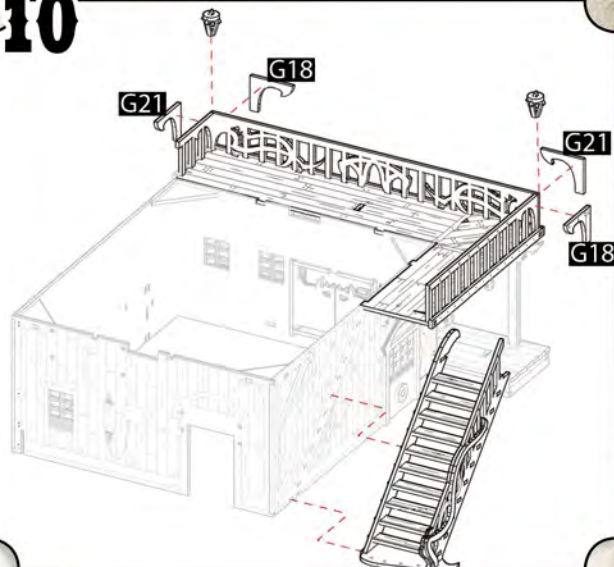
8



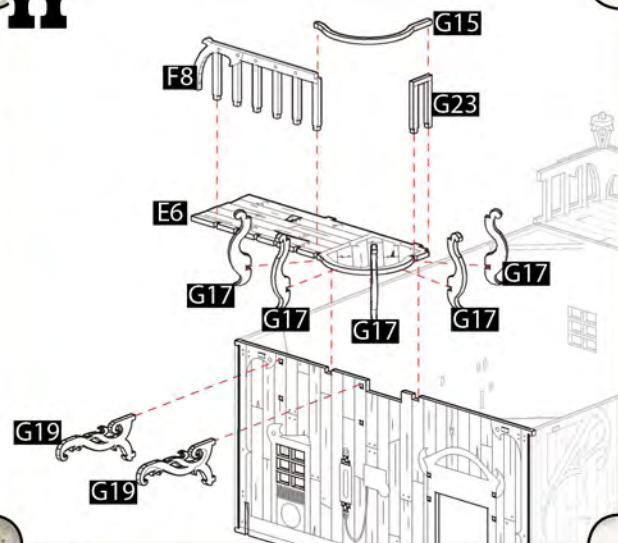
9



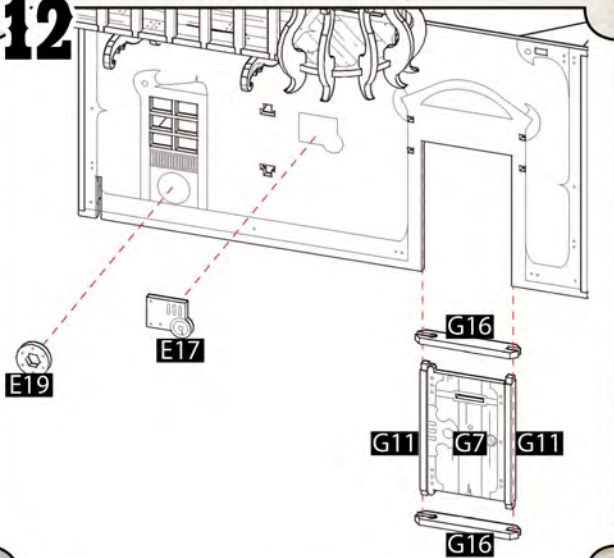
10



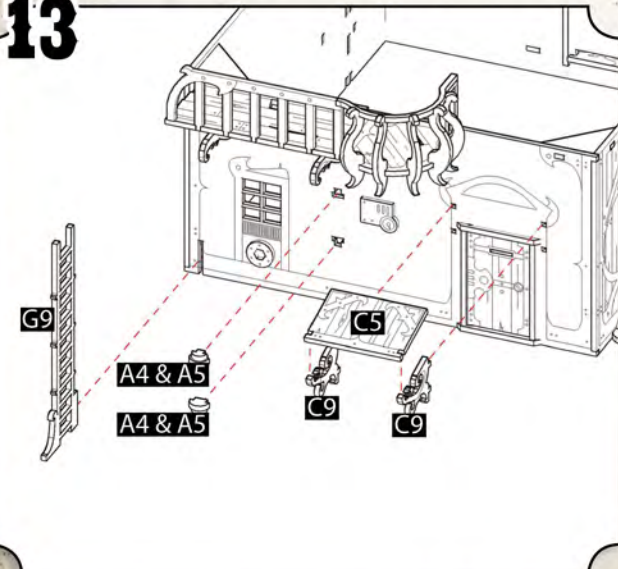
11



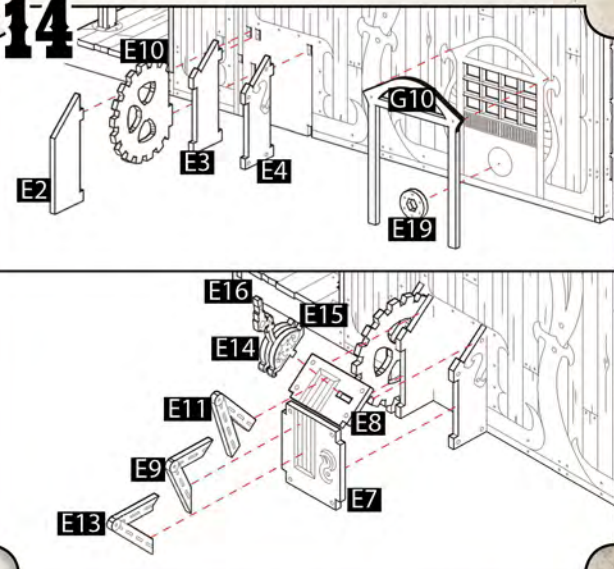
12



13



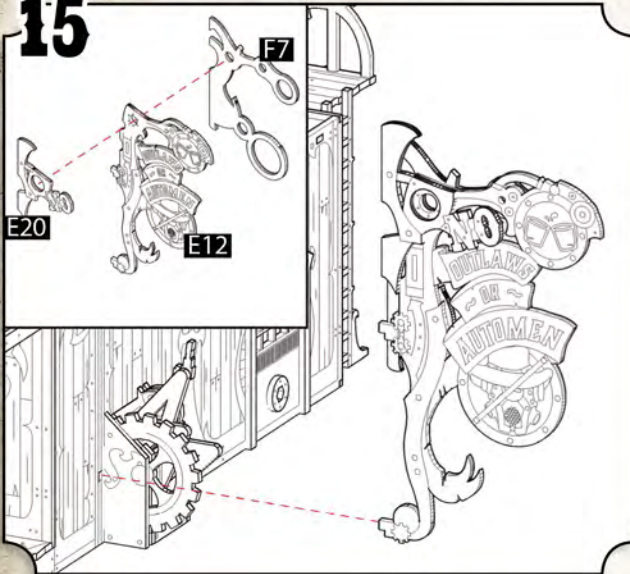
14



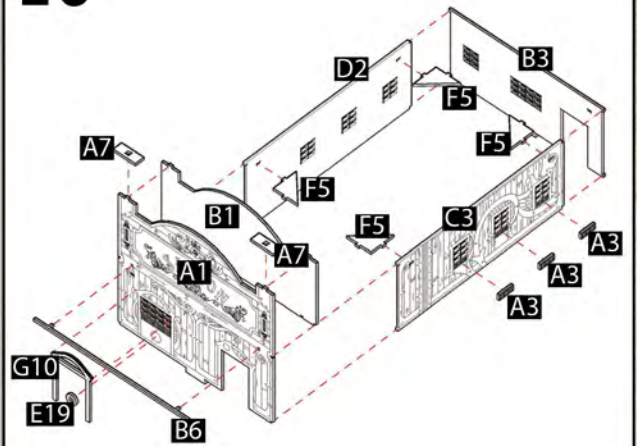


Parts may need careful removal from the MDF boards with a scalpel, and light sanding of any rough edges. We recommend testing assembling sections before permanently gluing together.

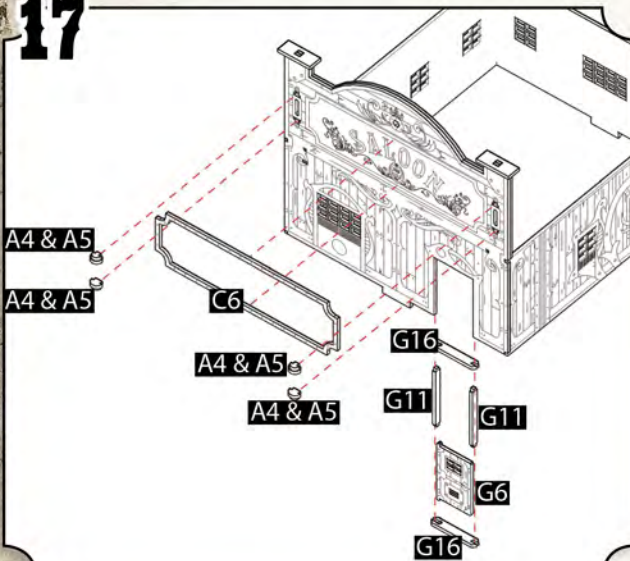
15



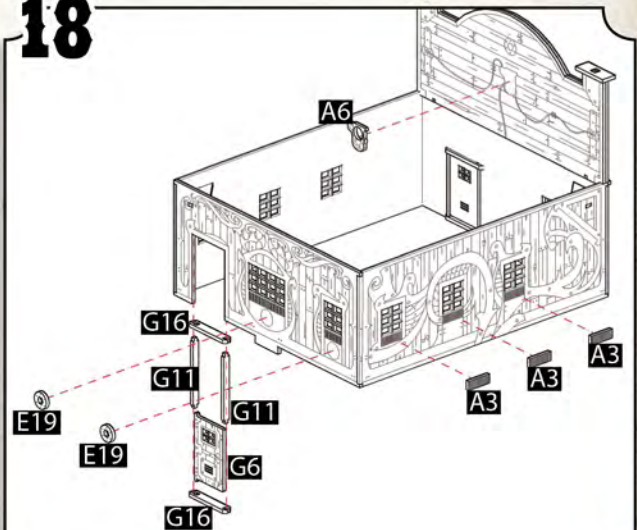
16



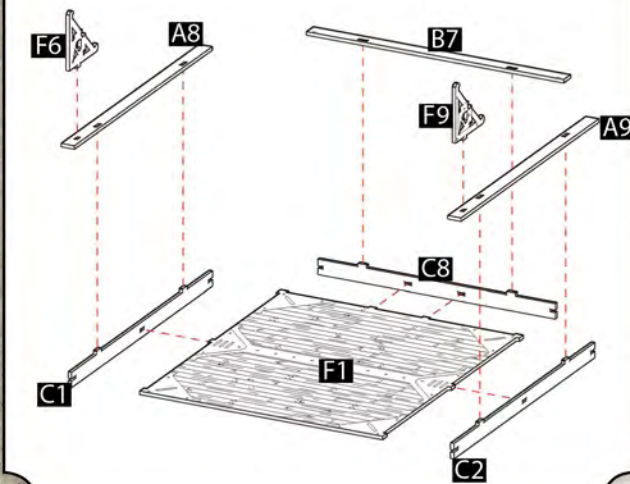
17



18



19



20

Combine but DO NOT glue the three parts of the Saloon.

Parts labelled B5 could be glued around the signage where marked 'i'.

Part C7 is an optional sign to be placed here 'ii'.

Part C10 can be used anywhere to customise your building.

