




SCAN THIS CODE OR VISIT  
**WILDWESTEXODUS.COM**  
 FOR ASSEMBLY GUIDES AND MORE!

WEX991399024



5 060504 864893

# WILD WEST EXODUS




# RED OAK THE CAT HOUSE

PART OF THE **DYSTOPIAN AGE**™



@WILDWESTEXODUS



@WARCRADLESTUDIOS



WARNING! NOT A TOY. AGE 14+  
 HOBBY GAMING PRODUCT  
 CONTAINS SMALL PARTS



ACHTUNG! KEIN SPIELZEUG. ALTER 14+  
 HOBBY SPIELPRODUCT  
 ENTHÄLT KLEINE TEILE



PRECAUCIÓN! NO ES UN JUGUETE EDADES. 14+  
 PRODUCTO DE HOBBY  
 CONTIENE PIEZAS PEQUEÑAS



ATTENTION! PAS UN JOUET. ANS 14+  
 PRODUIT DE JEU HOBBY  
 CONTIENT DE PETITES PIÈCES

THIS PRODUCT CONTAINS MEDIUM DENSITY FIBREBOARD (CLASS E1)



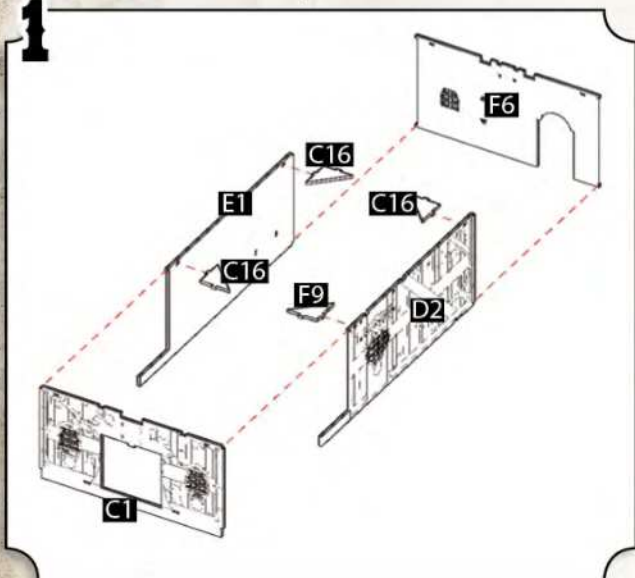
WARCRADLE STUDIOS IS A TRADING NAME OF WAYLAND GAMES LIMITED. WILD WEST EXODUS IS A TRADEMARK OF WAYLAND GAMES LIMITED.  
 ILLUSTRATIONS AND DESIGNS ARE COPYRIGHT © 2019 WAYLAND GAMES LIMITED. ASSEMBLED IN THE UK.



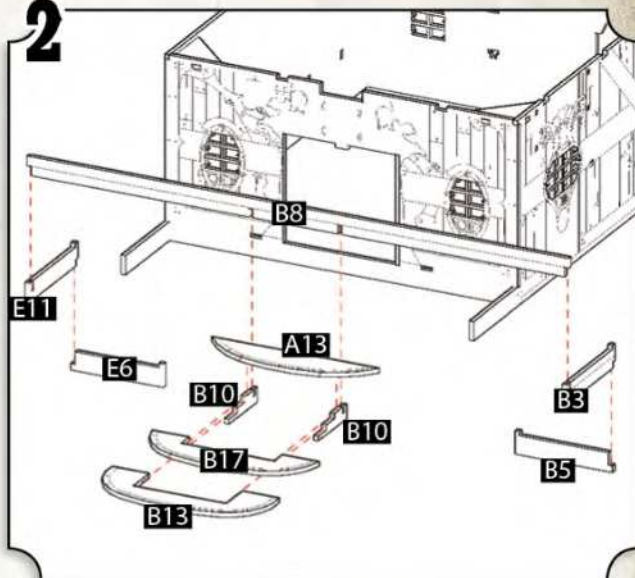


Parts may need careful removal from the MDF boards with a scalpel, and light sanding of any rough edges. We recommend testing assembling sections before permanently gluing together.

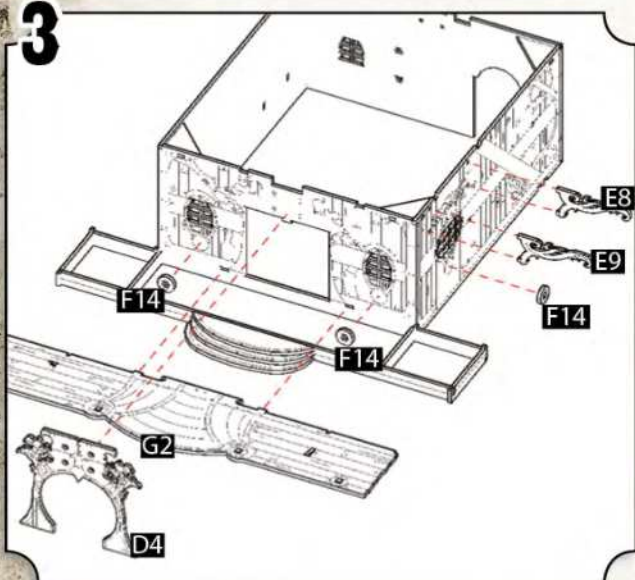
**1**



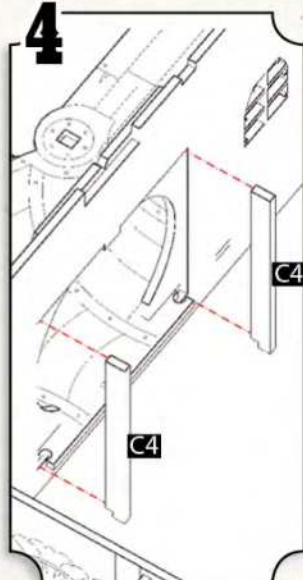
**2**



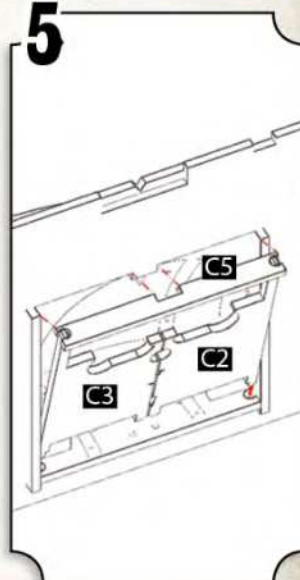
**3**



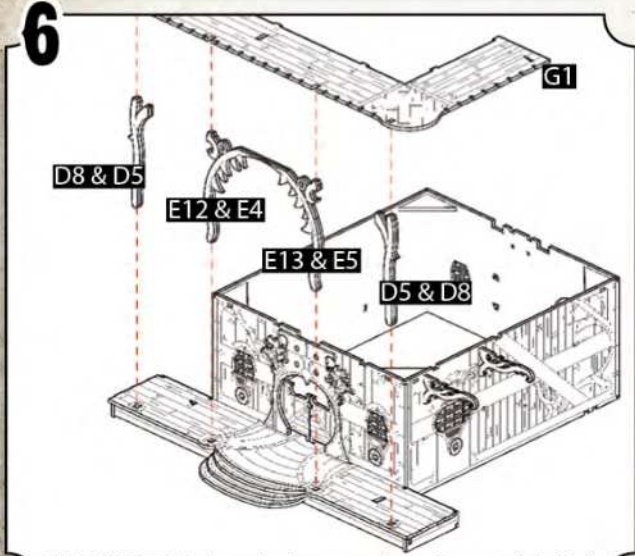
**4**



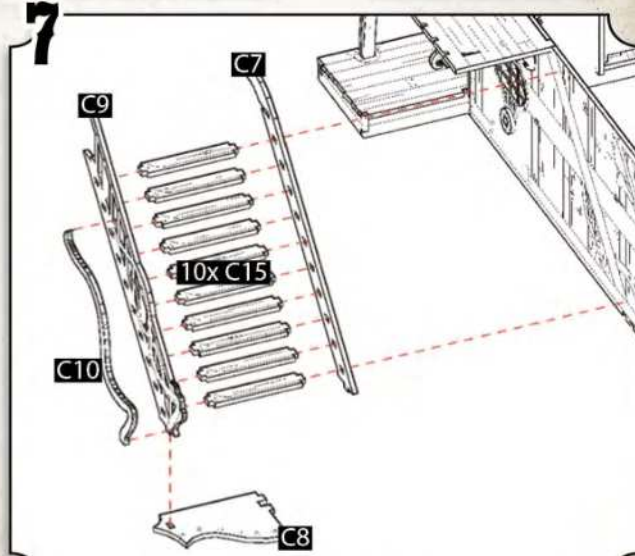
**5**



**6**



**7**



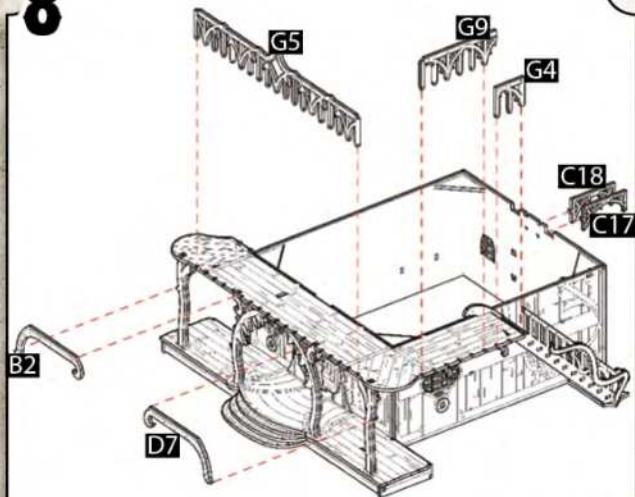
PLEASE NOTE: Each vertical post consists of 2 parts (labelled).





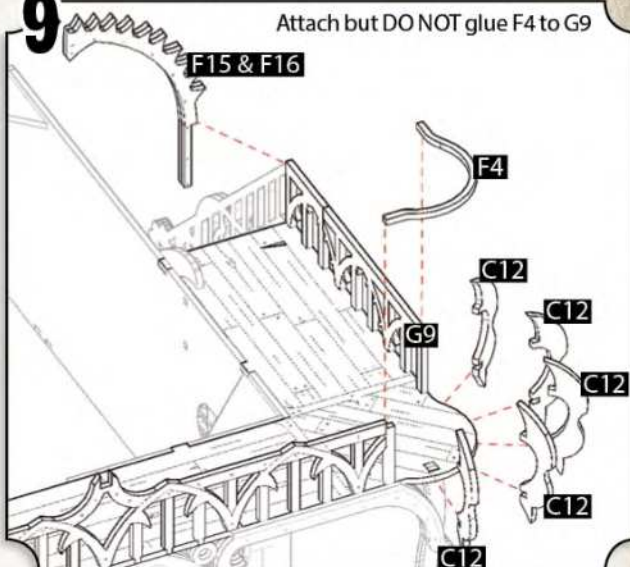
Parts may need careful removal from the MDF boards with a scalpel, and light sanding of any rough edges. We recommend testing assembling sections before permanently gluing together.

8



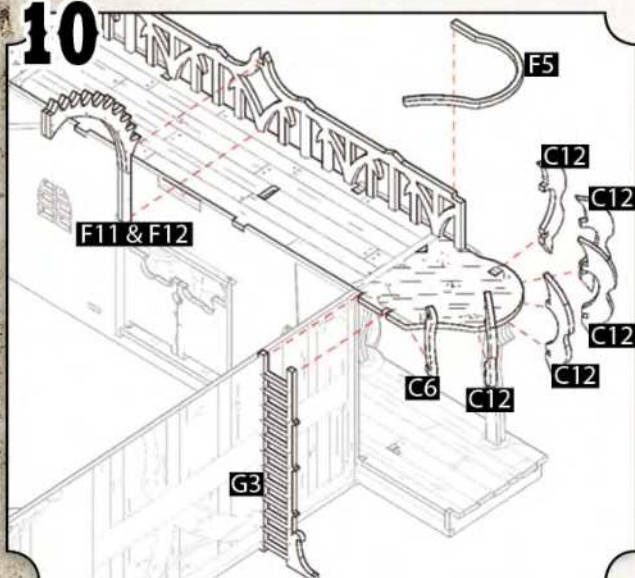
Attach but DO NOT glue G9.

9

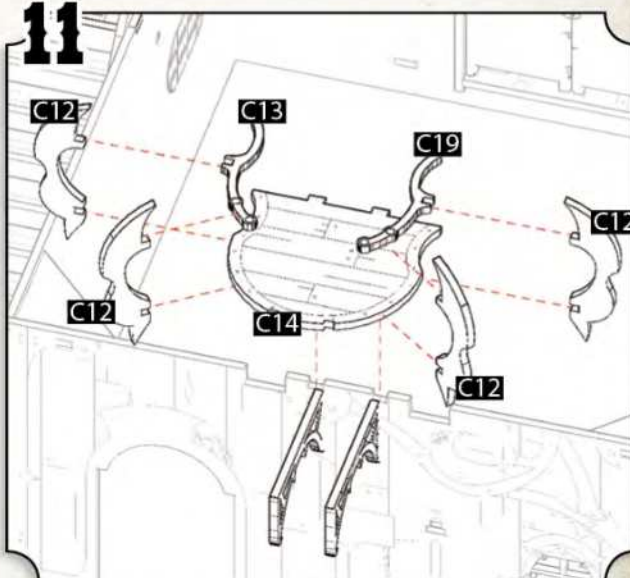


Attach but DO NOT glue F4 to G9

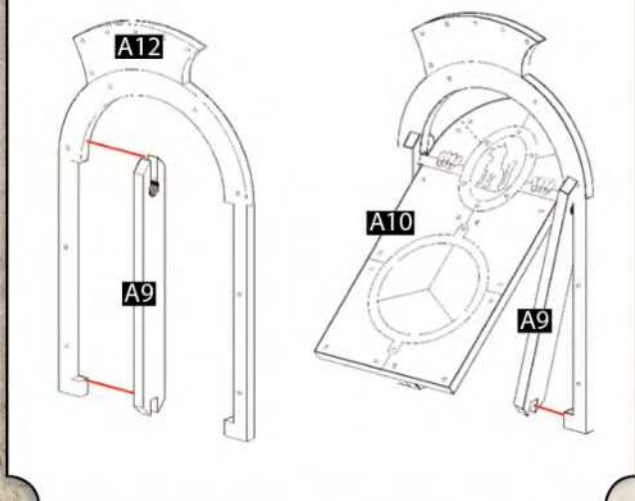
10



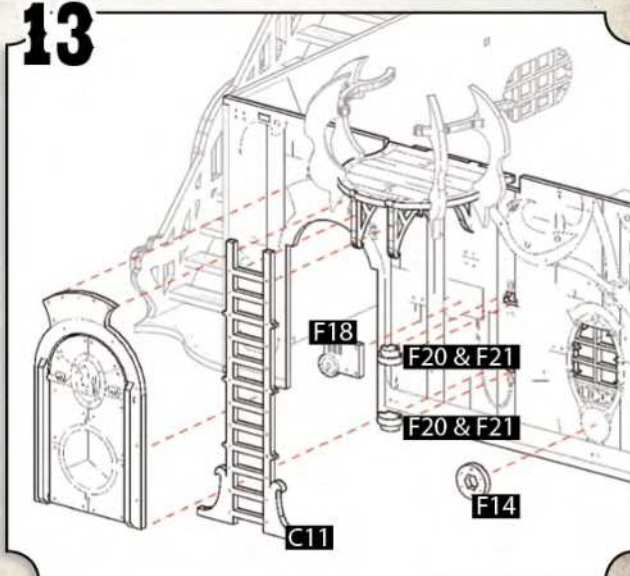
11



12



13

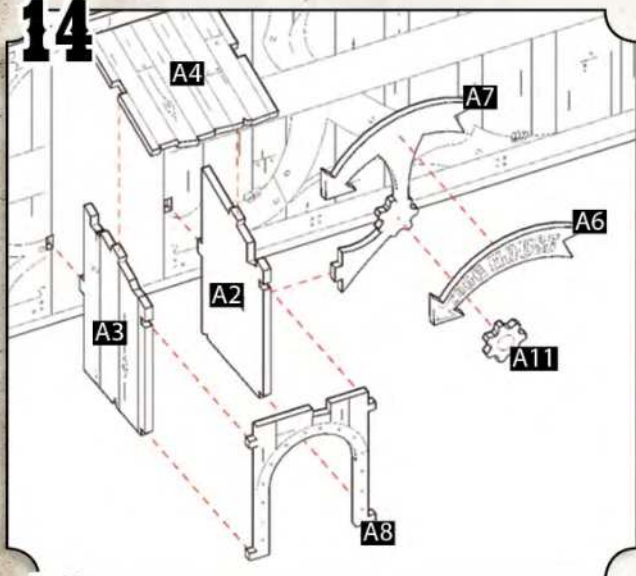




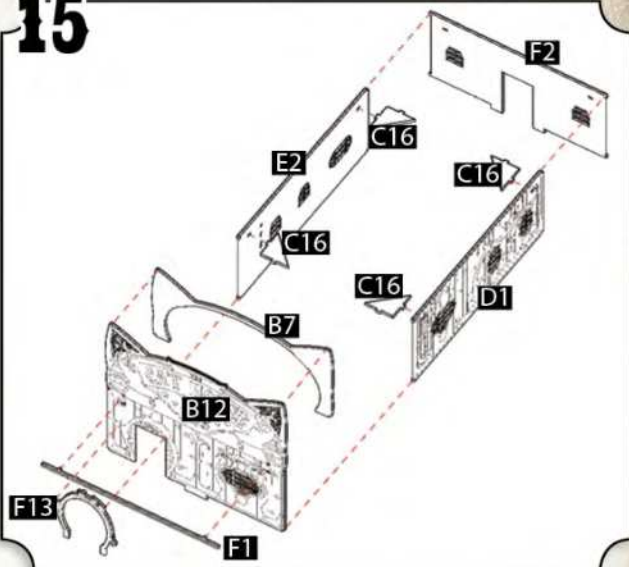


Parts may need careful removal from the MDF boards with a scalpel, and light sanding of any rough edges. We recommend testing assembling sections before permanently gluing together.

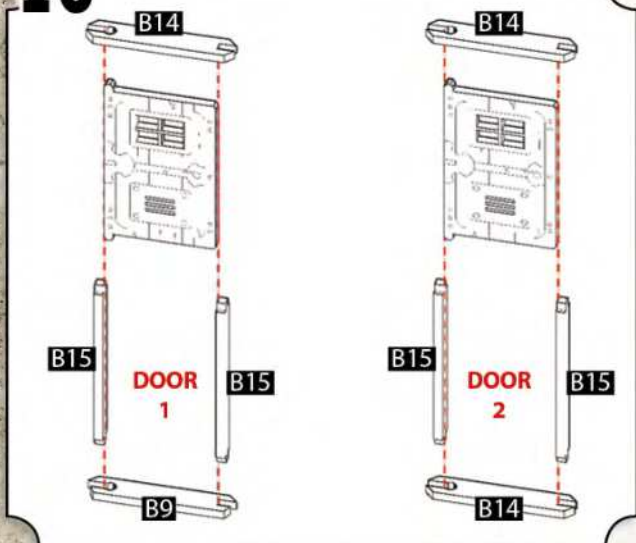
14



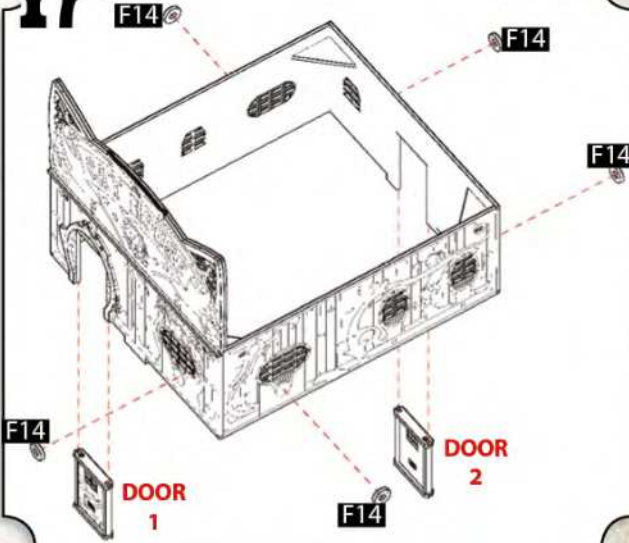
15



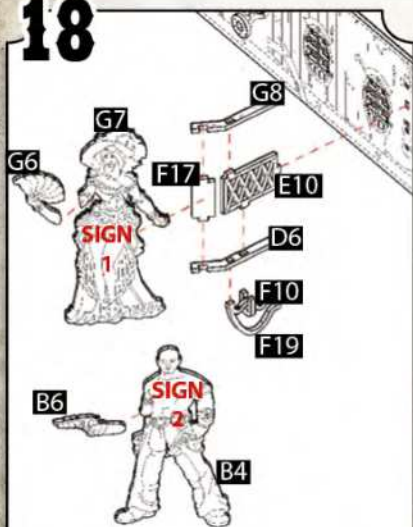
16



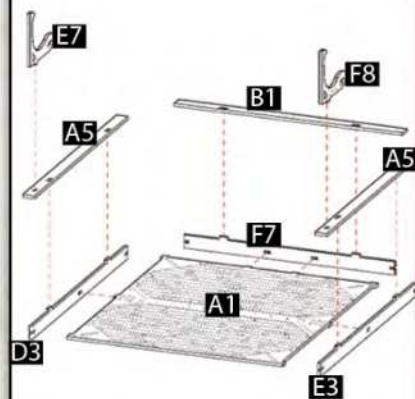
17



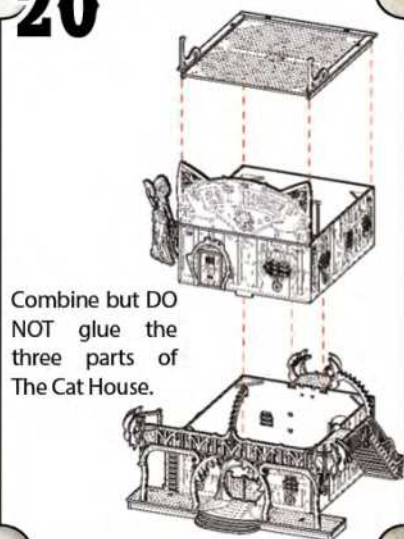
18



19



20



Combine but DO NOT glue the three parts of The Cat House.

Glue EITHER SIGN 1 or SIGN 2 to F17.