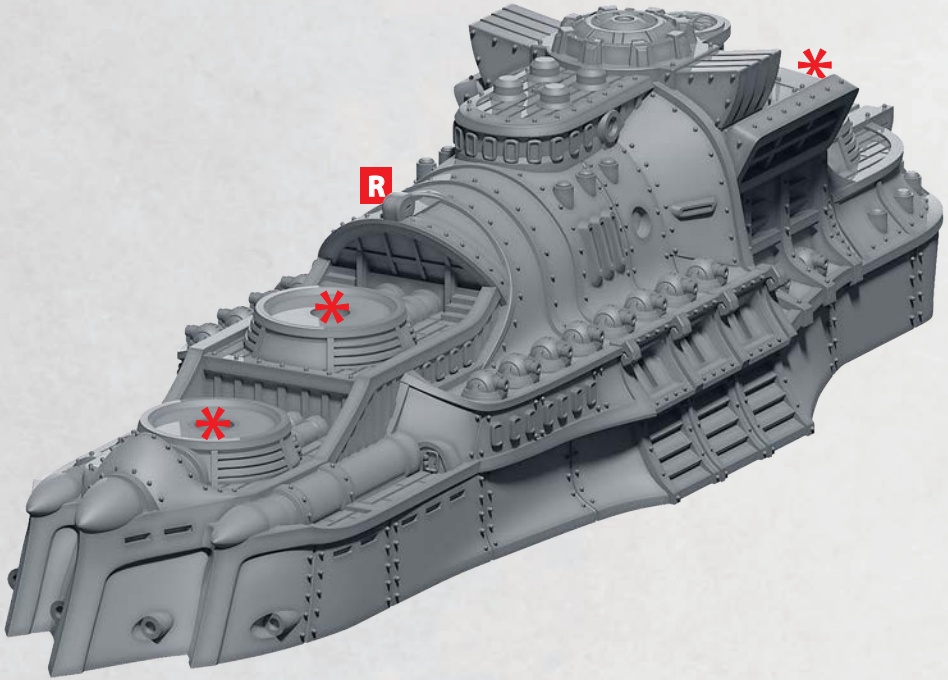


KONGO HEAVY BATTLESHIP

PARTS CAN BE FOUND AS RESIN PARTS AND ON THE JAPANESE FRONTLINE SQUADRONS SPRUES



HEAVY
ROCKET
BATTERY



42-44

HEAVY
GUN
BATTERY

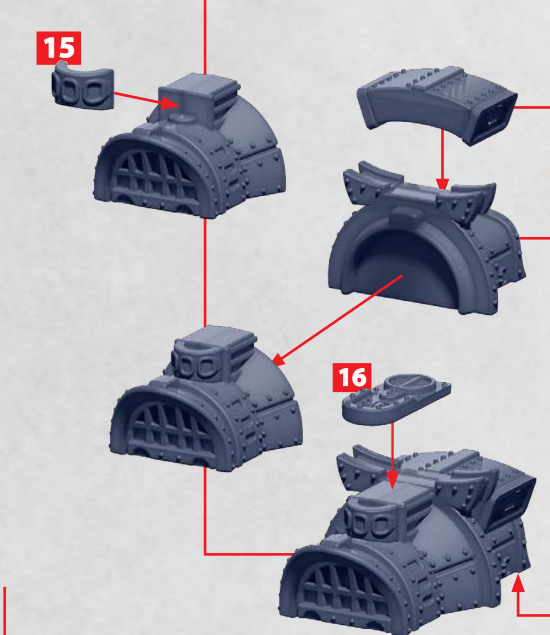
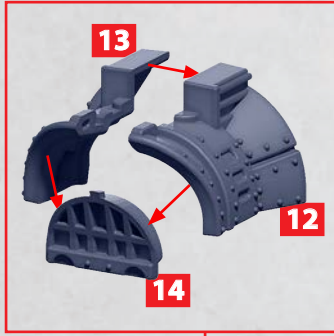


38-41

* ALL TURRETS ARE INTERCHANGEABLE

BRIDGE ASSEMBLY FOR CRUISER CLASS

PARTS CAN BE FOUND ON THE JAPANESE FRONTLINE SQUADRONS SPRUES



REAR WALL ROTATES TO DISPLAY EITHER OPTION

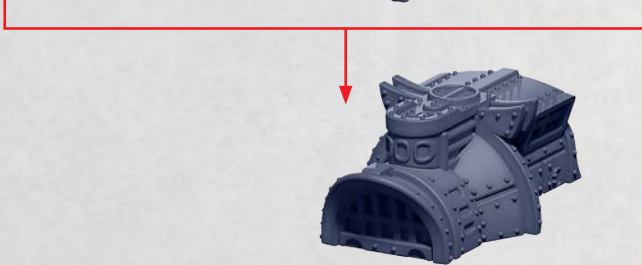


THE REAR WALL APPEARS ON

- HONSHU
- HOKKAIDO
- KANAGAWA
- OSAKA

DUE TO THE FOLLOWING CRUISERS HAVING AN OPEN REAR, PART 32 IS NOT REQUIRED

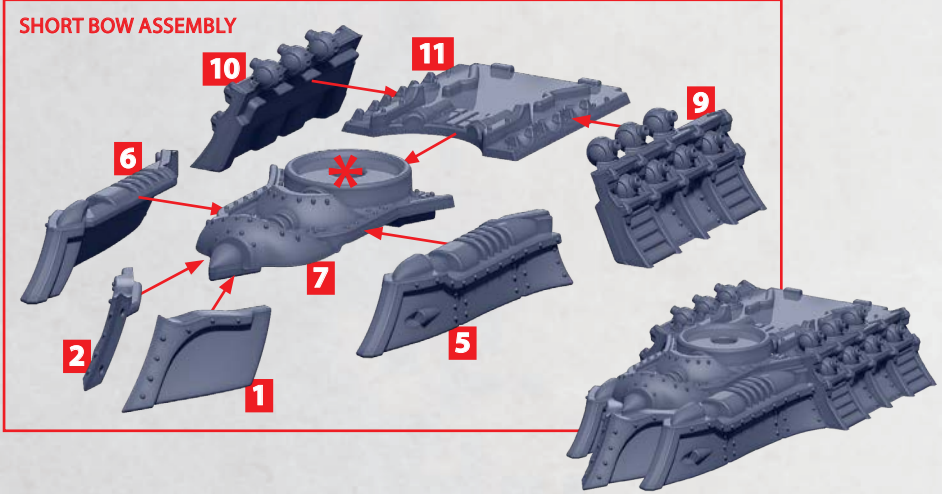
- MIYAGI
- ISHIKAWA
- OKINAWA
- YAMAGUCHI



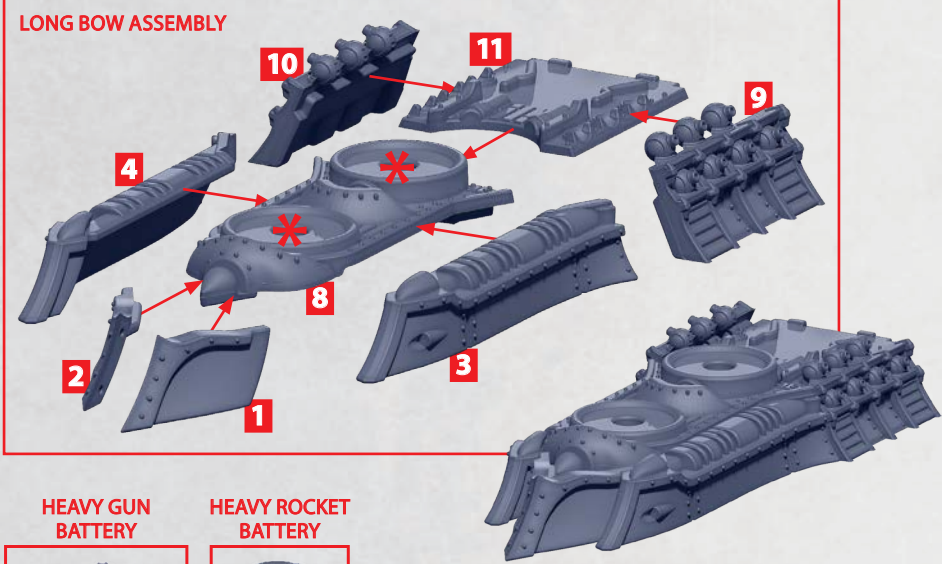
BOW ASSEMBLY FOR CRUISER CLASS

PARTS CAN BE FOUND ON THE JAPANESE FRONTLINE SQUADRONS SPRUES

SHORT BOW ASSEMBLY



LONG BOW ASSEMBLY



HEAVY GUN BATTERY



38-41

HEAVY ROCKET BATTERY



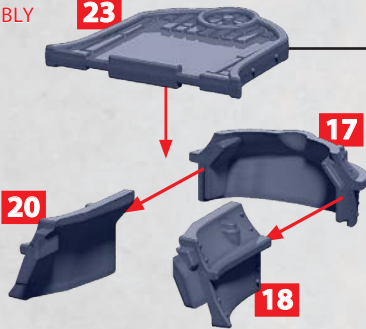
42-44

* ALL TURRETS ARE INTERCHANGEABLE

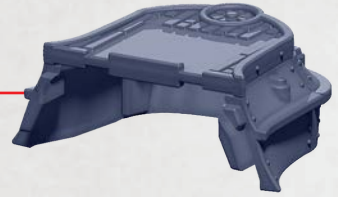
STERN ASSEMBLY FOR ALL CRUISER CLASS

PARTS CAN BE FOUND ON THE JAPANESE FRONTLINE SQUADRONS SPRUES

SHORT STERN ASSEMBLY



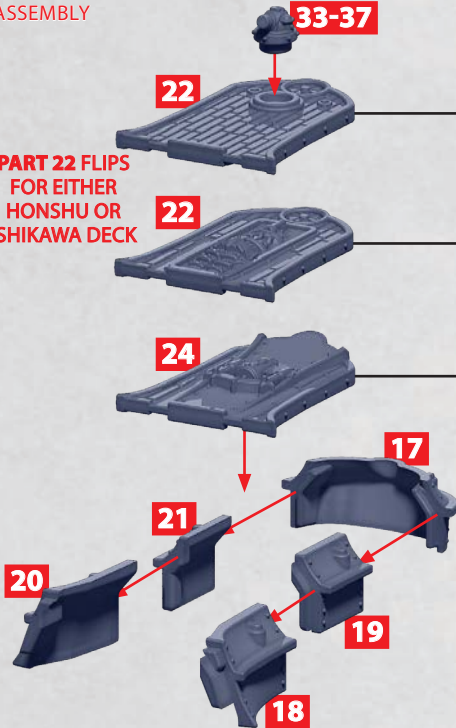
KANAGAWA & OSAKA CLASS CRUISER



LONG STERN ASSEMBLY

LONG STERN ASSEMBLY

PART 22 FLIPS FOR EITHER HONSHU OR ISHIKAWA DECK



HONSHU & HOKKAIDO CLASS CRUISER

ISHIKAWA & YAMAGUCHI CLASS CRUISER

MIYAGI & OKINAWA CLASS CRUISER



COMPLETED STERN SHOWN WITH HONSHU DECK

HONSHU CLASS CRUISER

PARTS CAN BE FOUND ON THE JAPANESE FRONTLINE SQUADRONS SPRUES

SEE PAGE 2 FOR
BRIDGE ASSEMBLY

33-37

SEE PAGE 4
FOR STERN
ASSEMBLY
(LONG)

SEE PAGE 3 FOR BOW
ASSEMBLY (SHORT)

ISHIKAWA CLASS CRUISER

PARTS CAN BE FOUND ON THE JAPANESE FRONTLINE SQUADRONS SPRUES

SEE PAGE 2 FOR
BRIDGE ASSEMBLY

SEE PAGE 4
FOR STERN
ASSEMBLY
(LONG)

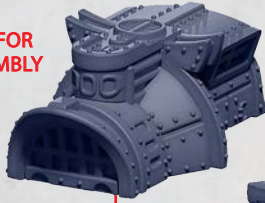
SEE PAGE 3 FOR BOW
ASSEMBLY (SHORT)

* ALL TURRETS ARE INTERCHANGEABLE – SEE PAGE 3 FOR OPTIONS

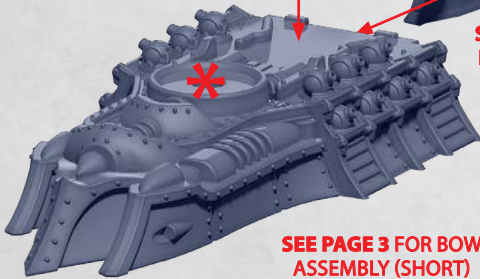
MIYAGI CLASS CRUISER

PARTS CAN BE FOUND ON THE JAPANESE FRONTLINE SQUADRONS SPRUES

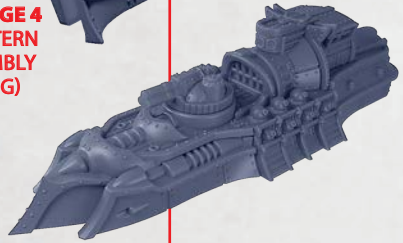
SEE PAGE 2 FOR
BRIDGE ASSEMBLY



SEE PAGE 4
FOR STERN
ASSEMBLY
(LONG)



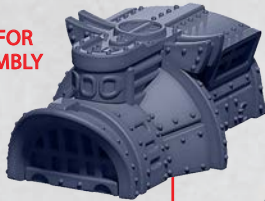
SEE PAGE 3 FOR BOW
ASSEMBLY (SHORT)



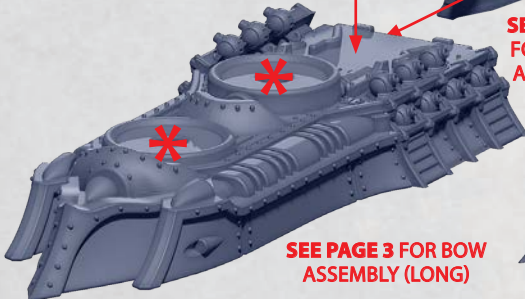
HOKKAIDO CLASS CRUISER

PARTS CAN BE FOUND ON THE JAPANESE FRONTLINE SQUADRONS SPRUES

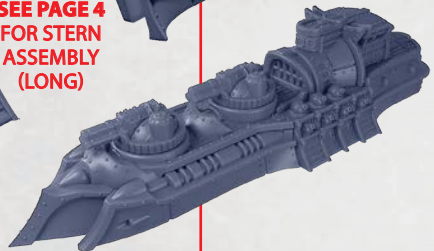
SEE PAGE 2 FOR
BRIDGE ASSEMBLY



SEE PAGE 4
FOR STERN
ASSEMBLY
(LONG)



SEE PAGE 3 FOR BOW
ASSEMBLY (LONG)

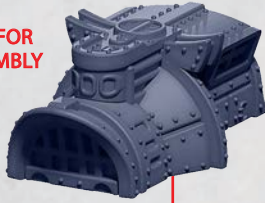


* ALL TURRETS ARE INTERCHANGEABLE – SEE PAGE 3 FOR OPTIONS

YAMAGUCHI CLASS CRUISER

PARTS CAN BE FOUND ON THE JAPANESE FRONTLINE SQUADRONS SPRUES

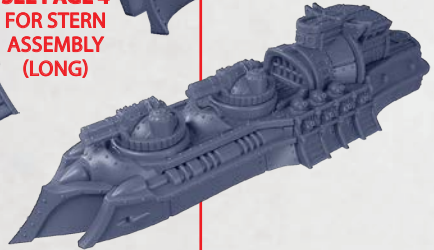
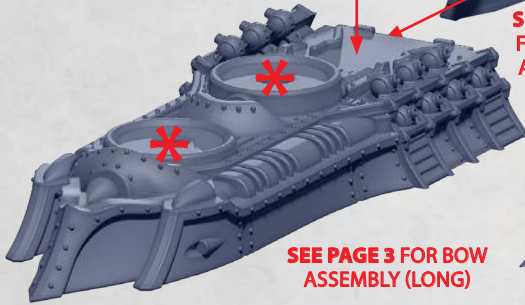
SEE PAGE 2 FOR
BRIDGE ASSEMBLY



SEE PAGE 4
FOR STERN
ASSEMBLY
(LONG)



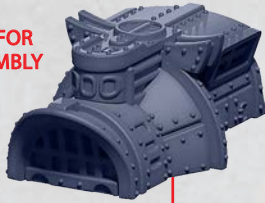
SEE PAGE 3 FOR BOW
ASSEMBLY (LONG)



OKINAWA CLASS CRUISER

PARTS CAN BE FOUND ON THE JAPANESE FRONTLINE SQUADRONS SPRUES

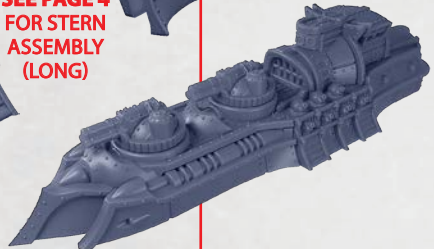
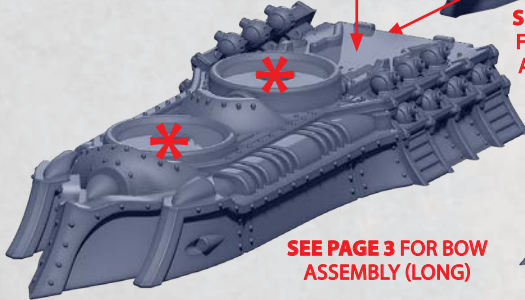
SEE PAGE 2 FOR
BRIDGE ASSEMBLY



SEE PAGE 4
FOR STERN
ASSEMBLY
(LONG)



SEE PAGE 3 FOR BOW
ASSEMBLY (LONG)

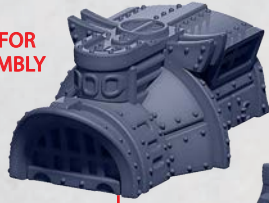


* ALL TURRETS ARE INTERCHANGEABLE – SEE PAGE 3 FOR OPTIONS

KANAGAWA CLASS CRUISER

PARTS CAN BE FOUND ON THE JAPANESE FRONTLINE SQUADRONS SPRUES

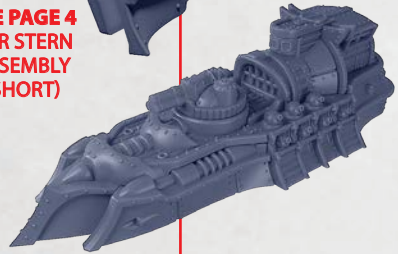
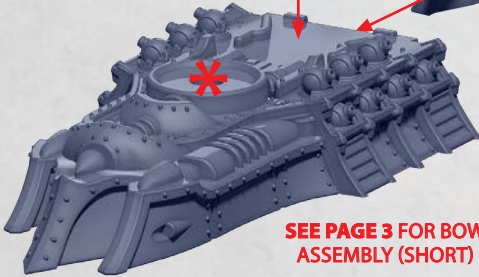
SEE PAGE 2 FOR
BRIDGE ASSEMBLY



SEE PAGE 4
FOR STERN
ASSEMBLY
(SHORT)



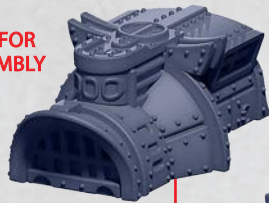
SEE PAGE 3 FOR BOW
ASSEMBLY (SHORT)



OSAKA CLASS CRUISER

PARTS CAN BE FOUND ON THE JAPANESE FRONTLINE SQUADRONS SPRUES

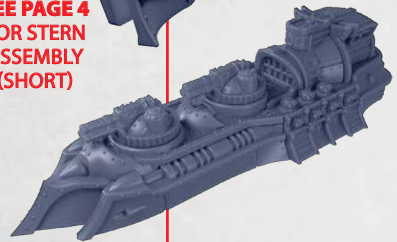
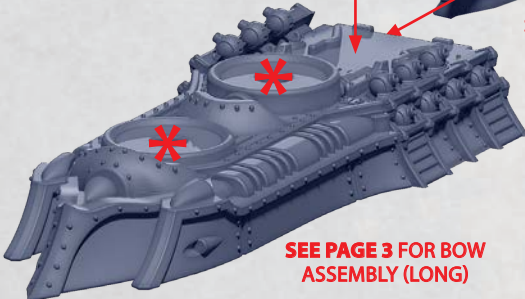
SEE PAGE 2 FOR
BRIDGE ASSEMBLY



SEE PAGE 4
FOR STERN
ASSEMBLY
(SHORT)



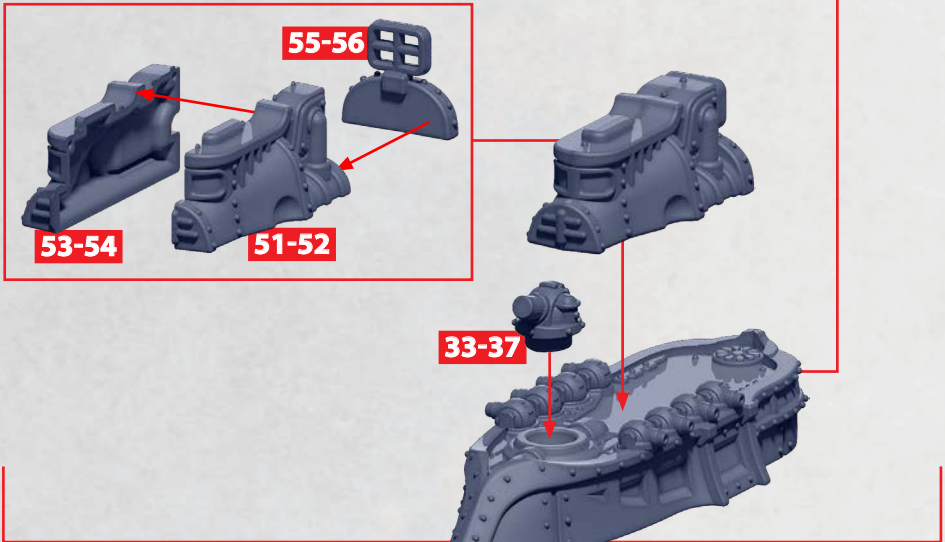
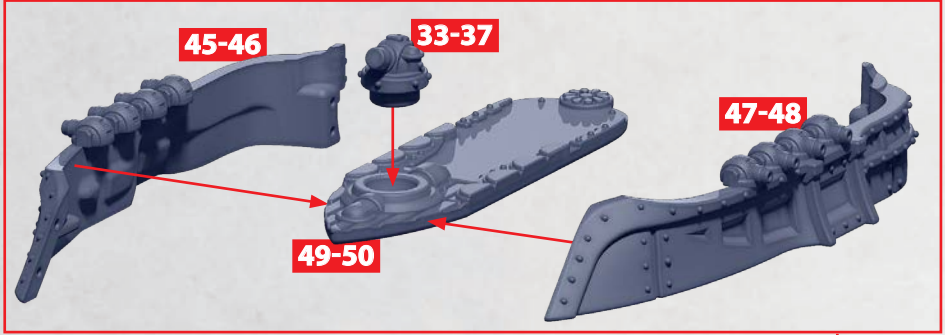
SEE PAGE 3 FOR BOW
ASSEMBLY (LONG)



* ALL TURRETS ARE INTERCHANGEABLE – SEE PAGE 3 FOR OPTIONS

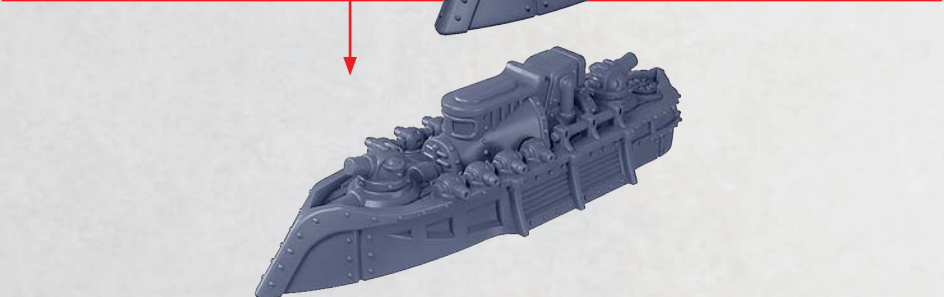
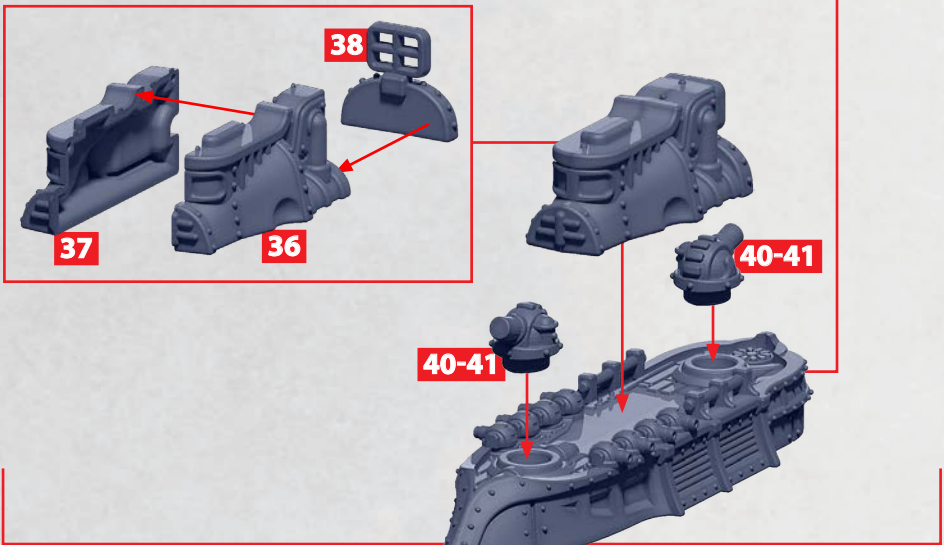
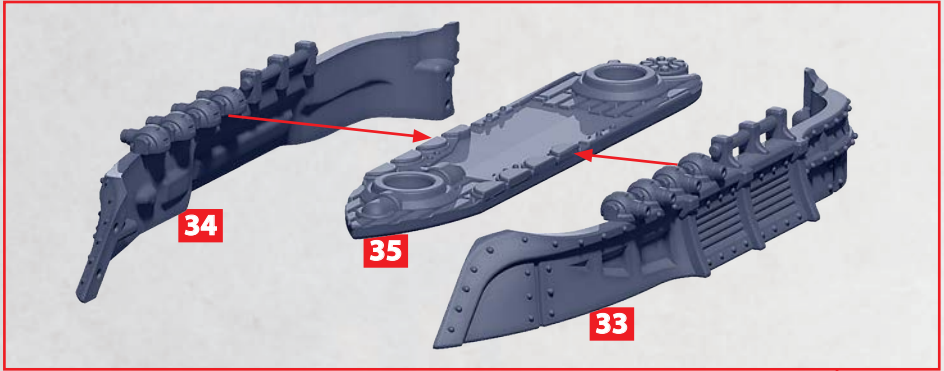
KYOTO CLASS FRIGATE

PARTS CAN BE FOUND ON THE JAPANESE FRONTLINE SQUADRONS SPRUES



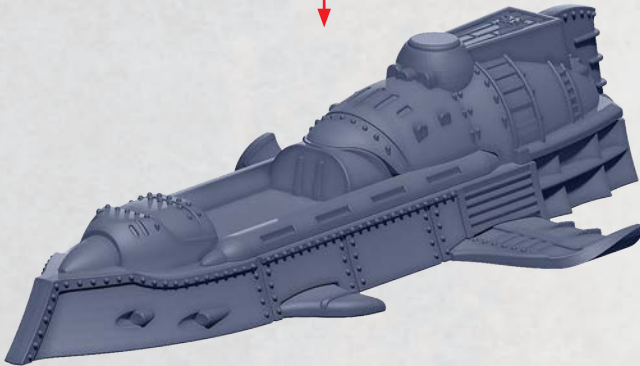
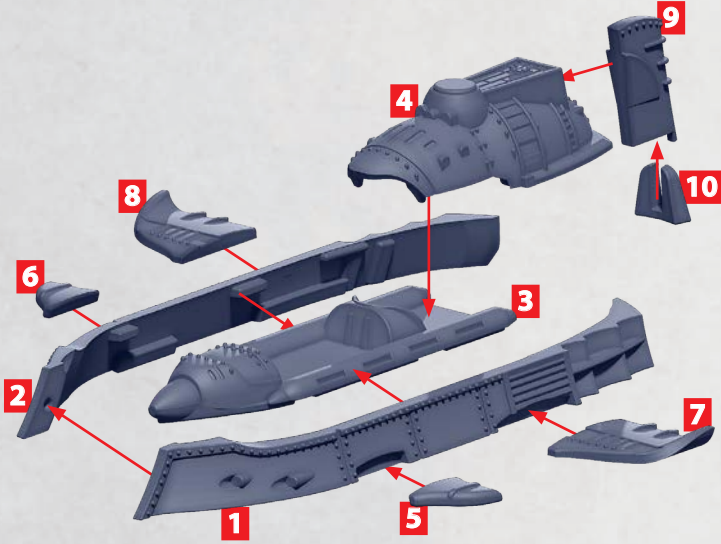
SAKATA CLASS DESTROYER

PARTS CAN BE FOUND ON THE **EMPIRE JAPANESE SUPPORT SPRUES**



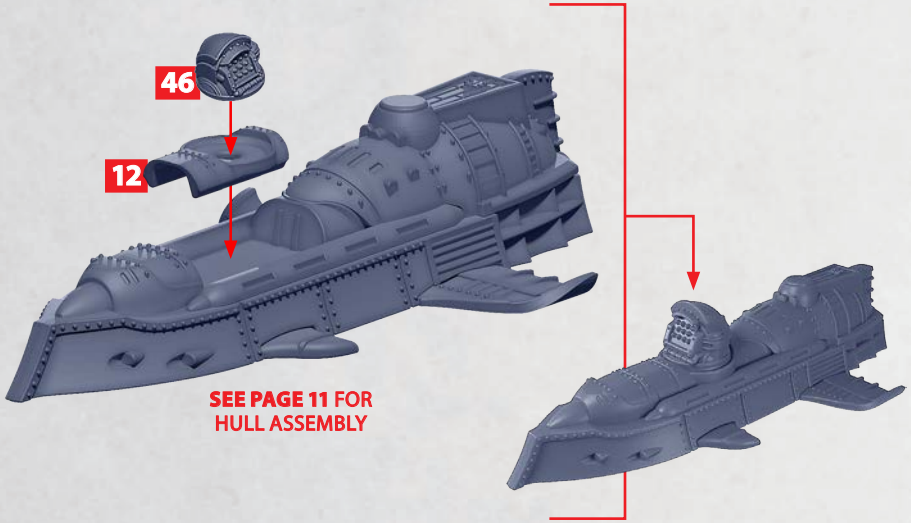
HULL ASSEMBLY FOR RYUJIN, KAGUTSUCHI, MIZUCHI OR KENSAI SUBMERSIBLE

PARTS CAN BE FOUND ON THE EMPIRE JAPANESE SUPPORT SPRUES



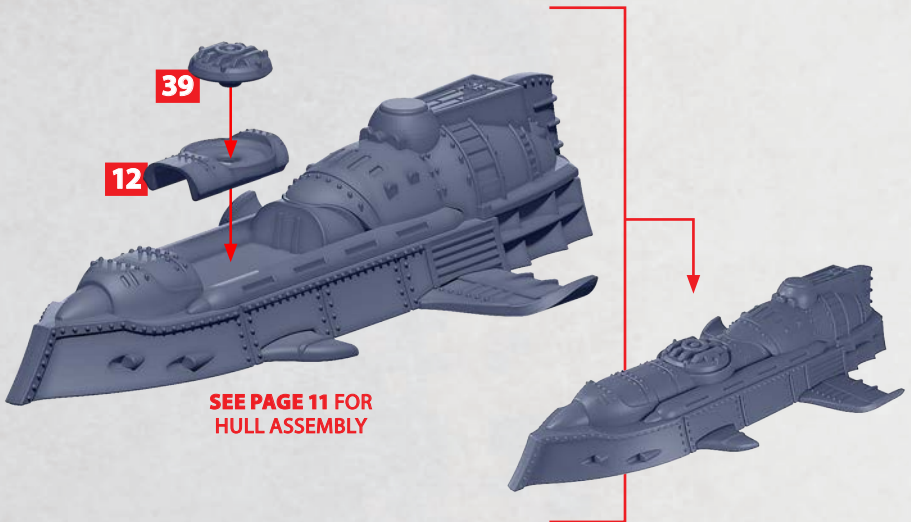
RYUJIN SUBMERSIBLE

PARTS CAN BE FOUND ON THE EMPIRE JAPANESE SUPPORT SPRUES



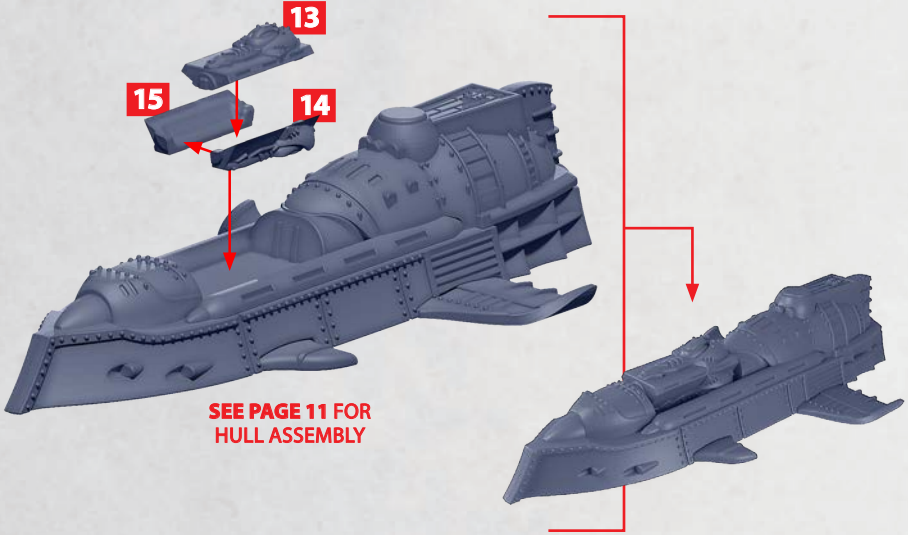
KAGUTSUCHI SUBMERSIBLE

PARTS CAN BE FOUND ON THE EMPIRE JAPANESE SUPPORT SPRUES



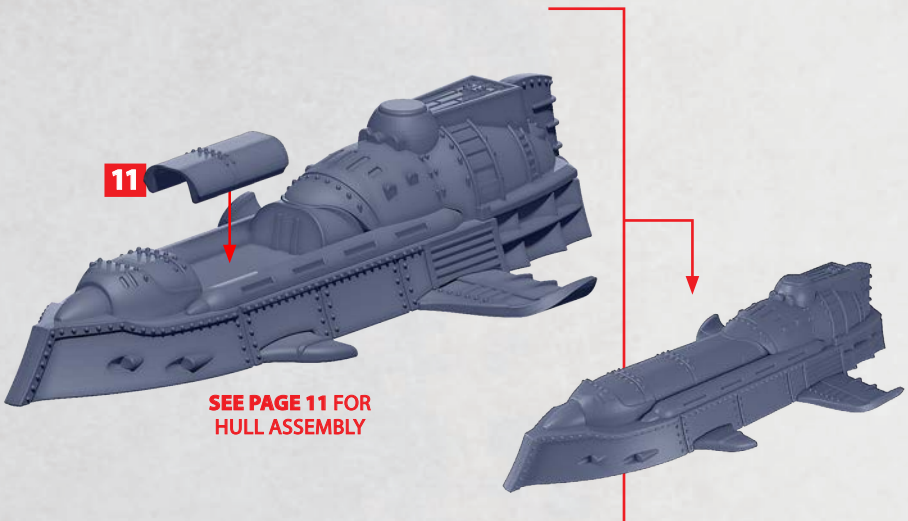
MIZUCHI SUBMERSIBLE

PARTS CAN BE FOUND ON THE EMPIRE JAPANESE SUPPORT SPRUES



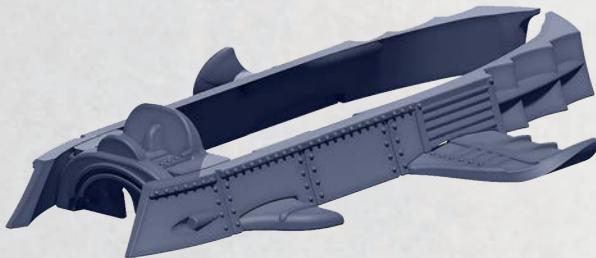
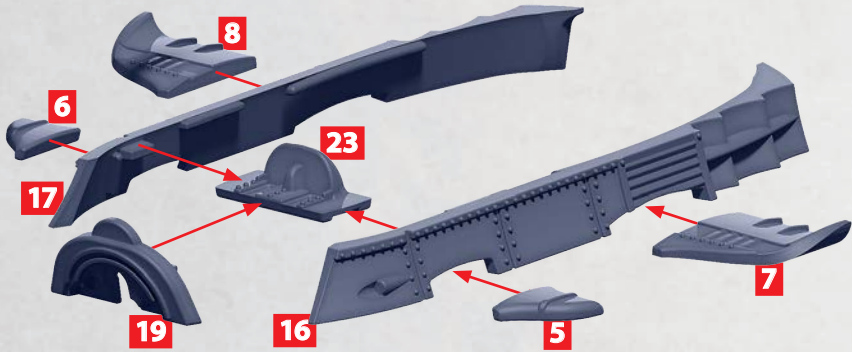
KENSAI SUBMERSIBLE

PARTS CAN BE FOUND ON THE EMPIRE JAPANESE SUPPORT SPRUES



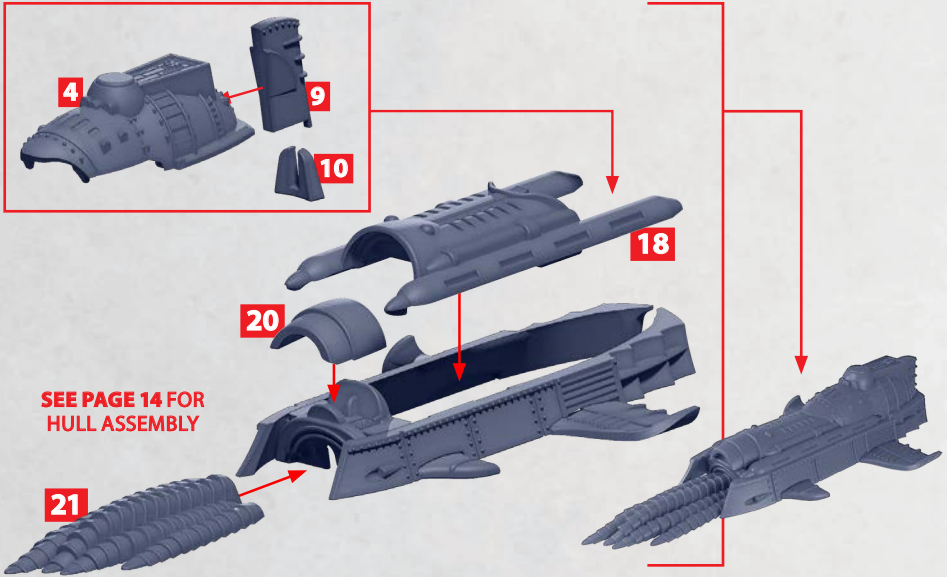
HULL ASSEMBLY FOR KOROMODAKO AND UMIBOZO

PARTS CAN BE FOUND ON THE EMPIRE JAPANESE SUPPORT SPRUES



KOROMODAKO

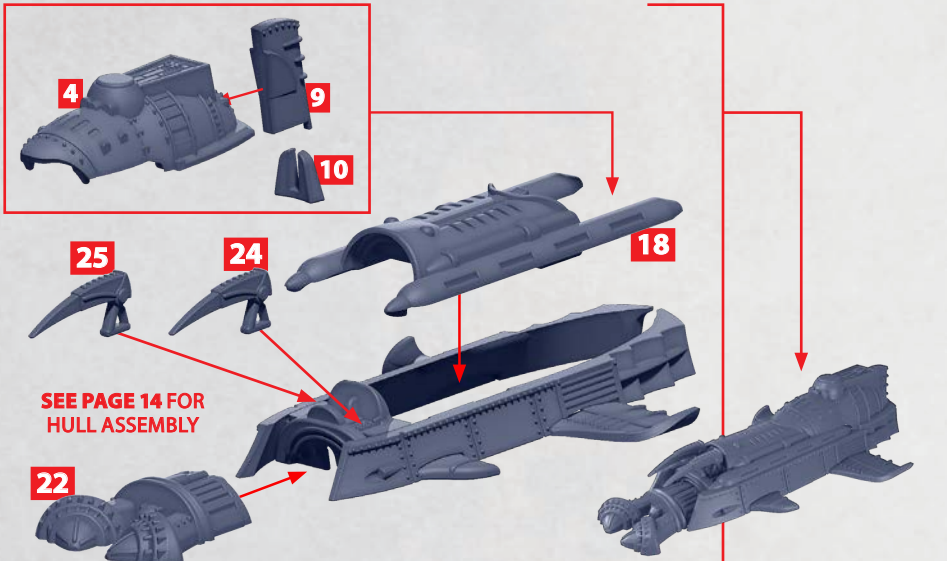
PARTS CAN BE FOUND ON THE EMPIRE JAPANESE SUPPORT SPRUES



SEE PAGE 14 FOR HULL ASSEMBLY

UMIBOZU

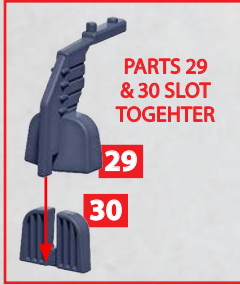
PARTS CAN BE FOUND ON THE EMPIRE JAPANESE SUPPORT SPRUES



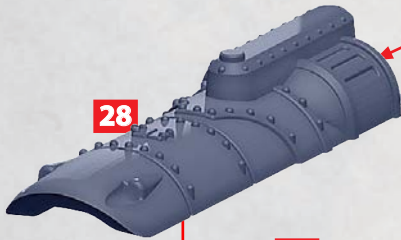
SEE PAGE 14 FOR HULL ASSEMBLY

CHUBU CLASS SUBMARINE

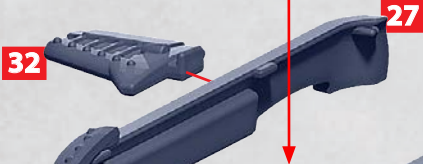
PARTS CAN BE FOUND ON THE EMPIRE JAPANESE SUPPORT SPRUES



180°
ROTATED

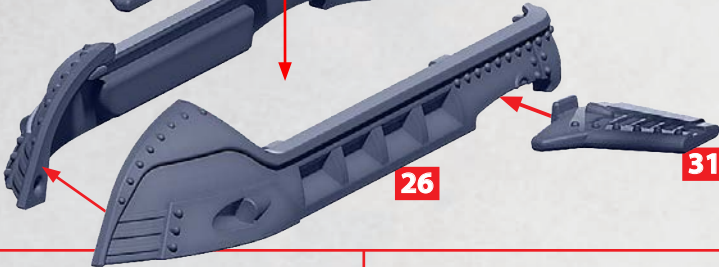


28



27

32



26

31

