

**HARDPOINT ICONS** (🔒 📄): WHEN A HARDPOINT ICON IS SHOWN IN THE ASSEMBLY INSTRUCTIONS FOR A MODEL, IT CAN BE BUILT WITH ANY OF THE TURRET OPTIONS FROM THIS PAGE THAT HAVE A MATCHING ICON. IT IS RECOMMENDED THESE TURRETS ARE NOT GLUED IN PLACE, SO THEY CAN BE SWITCHED OUT BETWEEN GAMES.

## ALLIANCE HEAVY HARDPOINT OPTIONS

PARTS CAN BE FOUND ON THE **ALLIANCE FRONTLINE SQUADRONS** SPRUE  
AND **UNION/ALLIANCE ADD-ON** SPRUE (BLACK NUMBERS)



**13-14**

THIS COMPONENT SHOULD ONLY BE USED WITH UNION MODELS

🔒

HEAVY GUN BATTERY



**9-10**   **11-12**

**1-2**



🔒

HEAT LANCE



**50-51**

🔒

HEAVY MAGNETIC BOMBARD



🔒

HEAVY TORPEDO TURRET



## ALLIANCE LIGHT HARDPOINT OPTIONS

PARTS CAN BE FOUND ON THE **ALLIANCE FRONTLINE SQUADRONS** SPRUE  
AND **UNION/ALLIANCE ADD-ON** SPRUE (BLACK NUMBERS)

📄

LIGHT GUN BATTERIES



**7-8**



**62-63**

📄

LIGHT ROCKET BATTERY



**67-68**

📄

TORPEDO TURRET



**58-61**

📄

HEAT LANCETTE



**54-55**

# ALLIANCE GENERATOR OPTIONS

PARTS CAN BE FOUND ON THE **ALLIANCE FRONTLINE SQUADRONS SPRUE**  
AND **UNION/ALLIANCE ADD-ON SPRUE** (BLACK NUMBERS)

**NOTE:** ON SOME MODELS, GENERATORS CAN REPLACE HARDPOINTS (🔒 🛡️) OR AS AN ALTERNATIVE TO AN ALREADY EXISTING GENERATOR. SEE YOUR ORBAT FOR SPECIFIC OPTIONS.

## SOLEX GENERATORS



57/64

### SHIELD GENERATOR



1

### FURY GENERATOR



2

### ATOMIC GENERATOR



3

### MAGNETIC GENERATOR



4

### REPULSION FIELD GENERATOR



5

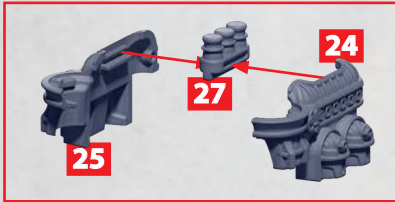
### SHROUD GENERATOR



6

# PORTUGUESE BRIDGE ASSEMBLY

PARTS CAN BE FOUND ON THE ALLIANCE FRONTLINE SQUADRONS SPRUE

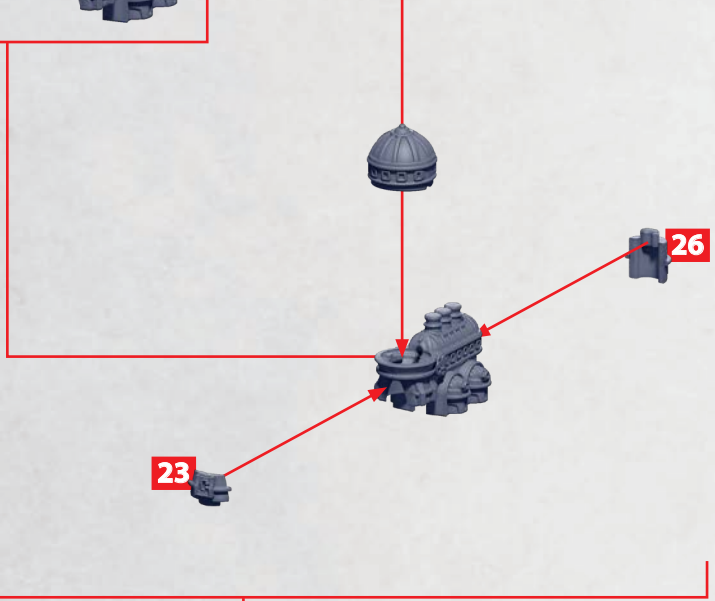
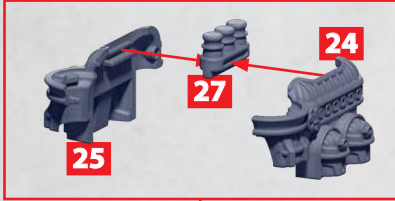


## USED WITH

- CHARLEMAGNE CRUISER
- LOIRE CRUISER
- CHEVALIER CRUISER
- PICARDY MONITOR

# FRENCH BRIDGE ASSEMBLY

PARTS CAN BE FOUND ON THE ALLIANCE FRONTLINE SQUADRONS SPRUE

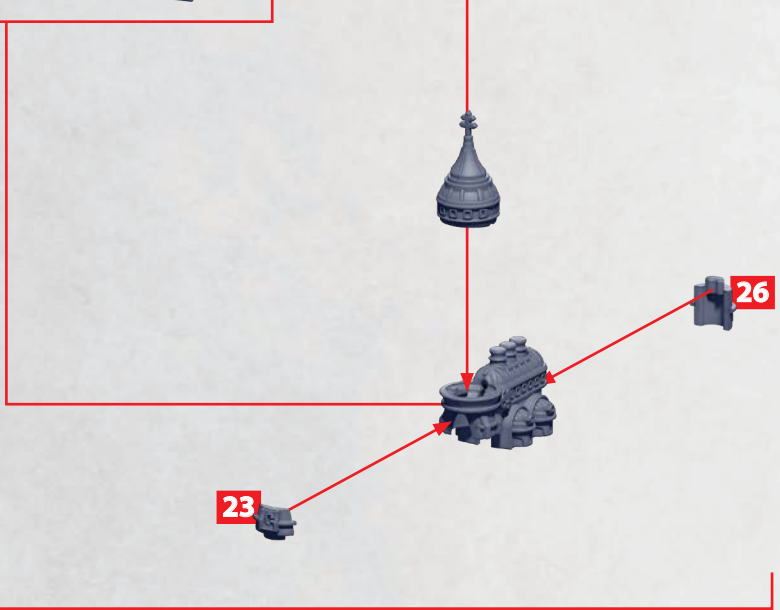
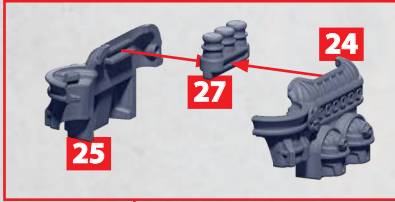


## USED WITH

- CHARLEMAGNE CRUISER
- LOIRE CRUISER
- CHEVALIER CRUISER
- PICARDY MONITOR

# CONCORDAT BRIDGE ASSEMBLY

PARTS CAN BE FOUND ON THE ALLIANCE FRONTLINE SQUADRONS SPRUE



23

26

32

33

24

27

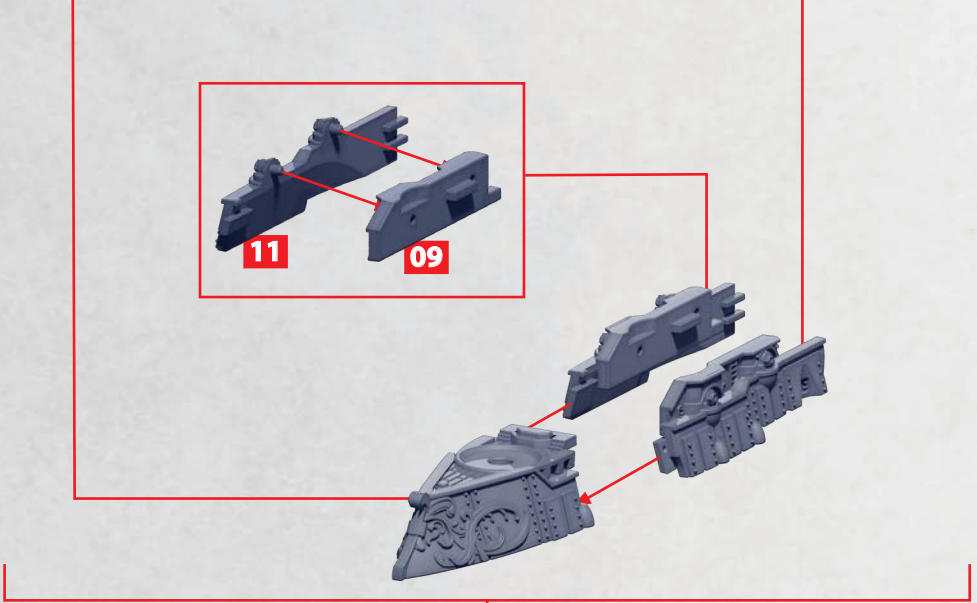
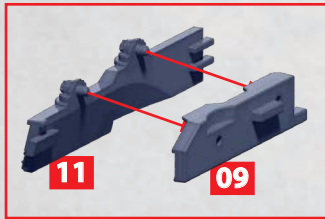
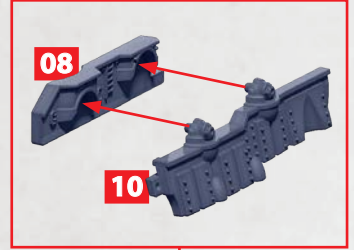
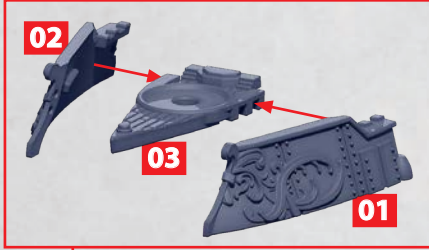
25



**USED WITH**  
• CONCORDAT CRUISER

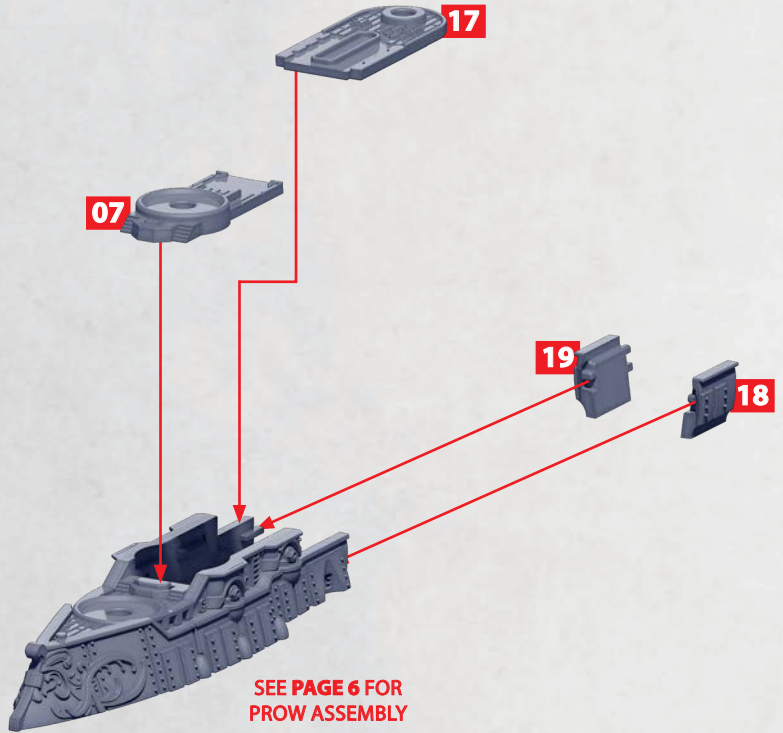
# CONCORDAT, CHEVALIER & CHARLEMAGNE CRUISER PROWS

PARTS CAN BE FOUND ON THE ALLIANCE FRONTLINE SQUADRONS SPRUES



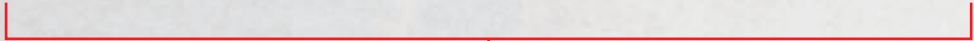
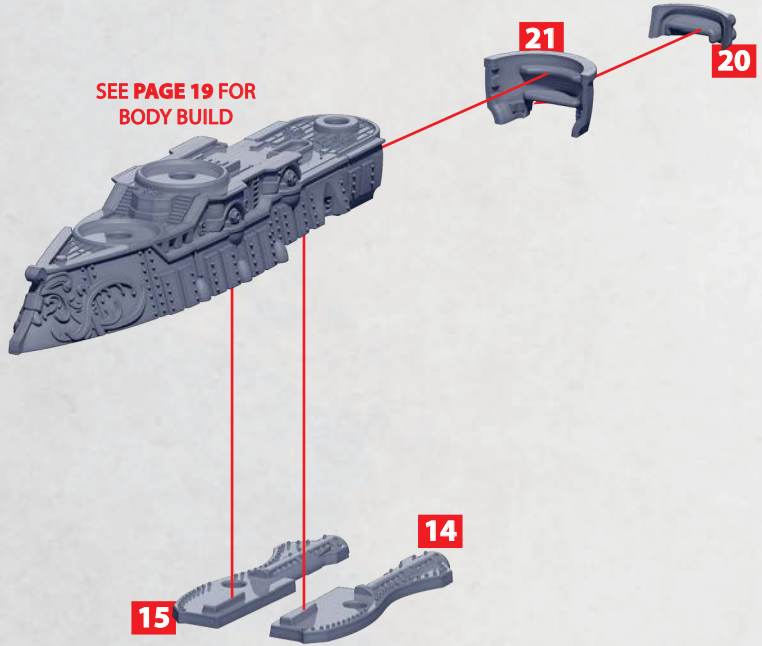
# CONCORDAT CLASS MONITOR

PARTS CAN BE FOUND ON THE ALLIANCE FRONTLINE SQUADRONS SPRUES



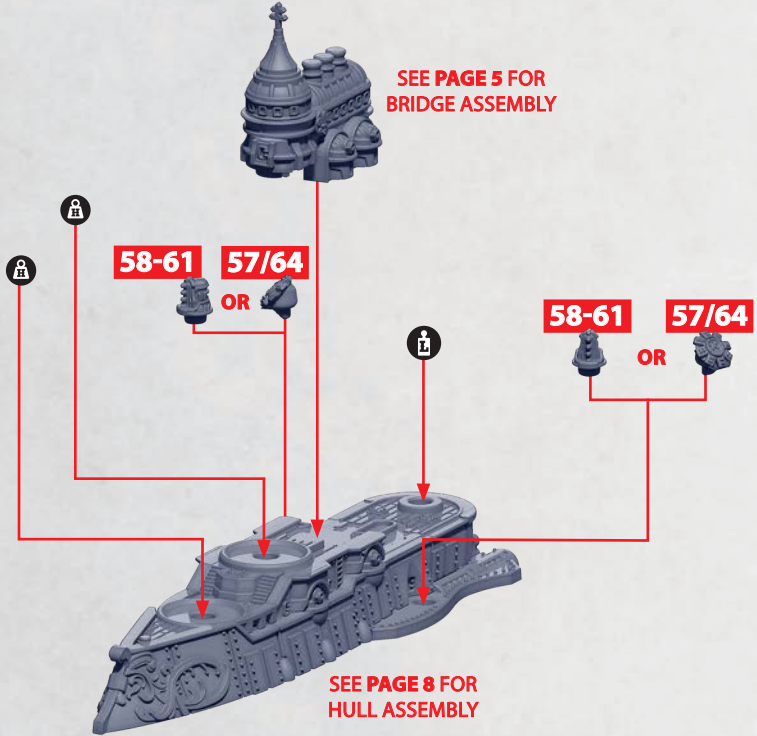
# CONCORDAT CLASS MONITOR

PARTS CAN BE FOUND ON THE ALLIANCE FRONTLINE SQUADRONS SPRUES



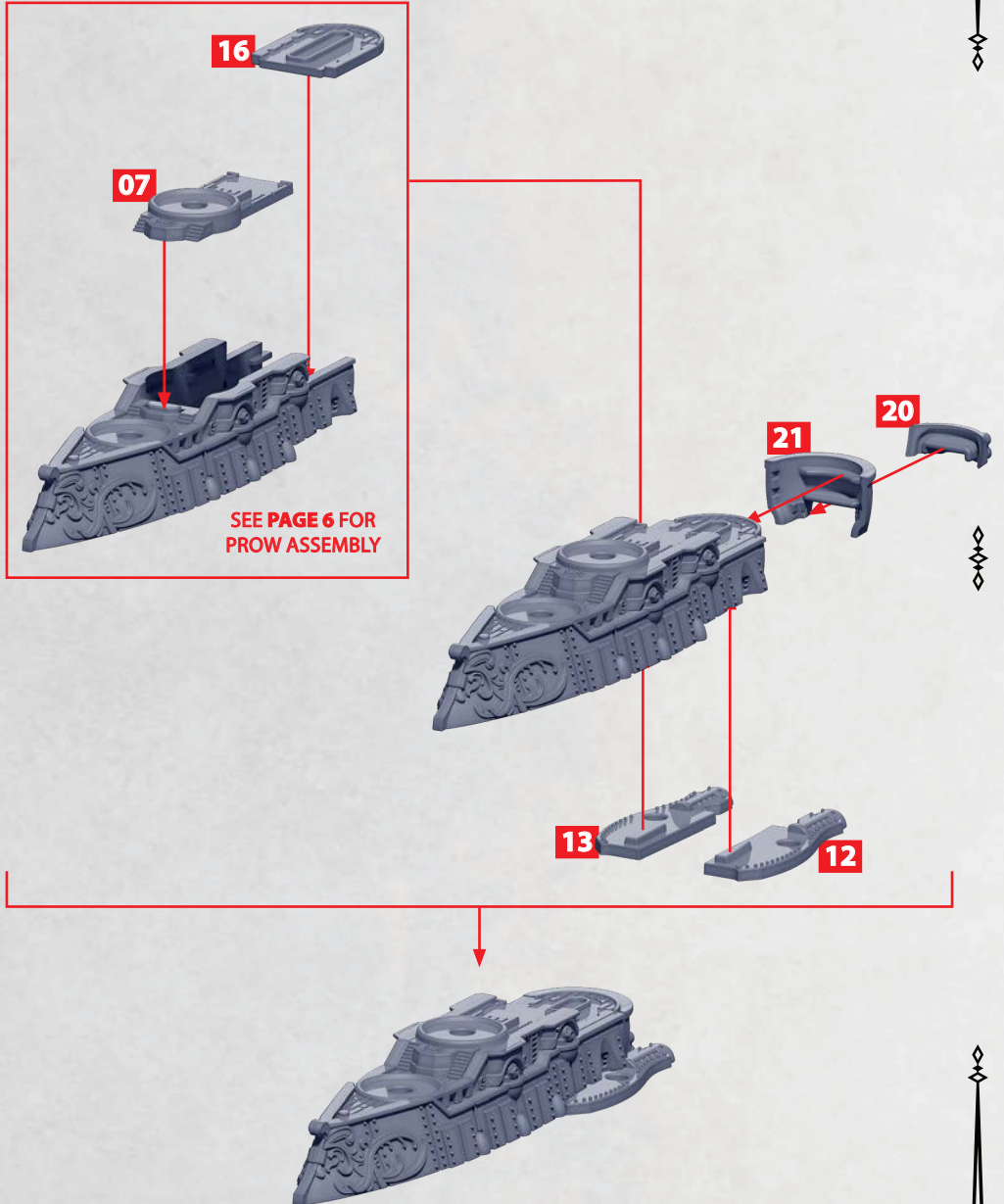
# CONCORDAT CLASS MONITOR

PARTS CAN BE FOUND ON THE **ALLIANCE FRONTLINE SQUADRONS** SPRUES AND  
**UNION/ALLIANCE ADD ON** SPRUE (SOME HARDPOINT (🔒/🛡️) OPTIONS)



# CHEVALIER CLASS CRUISER

PARTS CAN BE FOUND ON THE ALLIANCE FRONTLINE SQUADRONS SPRUES



# CHEVALIER CLASS CRUISER

PARTS CAN BE FOUND ON THE **ALLIANCE FRONTLINE SQUADRONS** SPRUES AND  
**UNION/ALLIANCE ADD ON** SPRUE (SOME HARDPOINT (🔒) OPTIONS)

SEE PAGE 3 FOR  
PORTUGUESE BRIDGE  
ASSEMBLY



OR

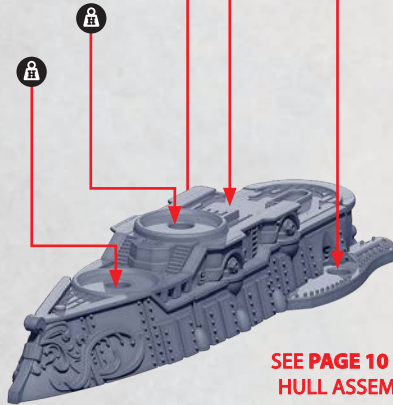


SEE PAGE 4 FOR  
FRENCH BRIDGE  
ASSEMBLY

58-61



58-61

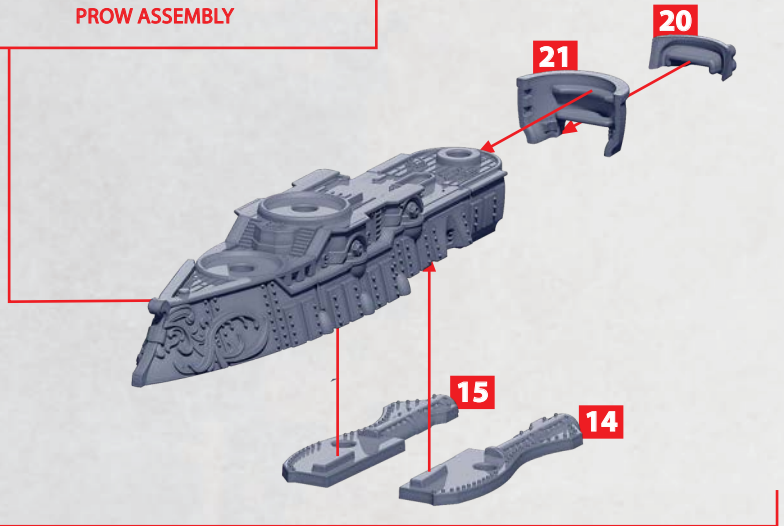
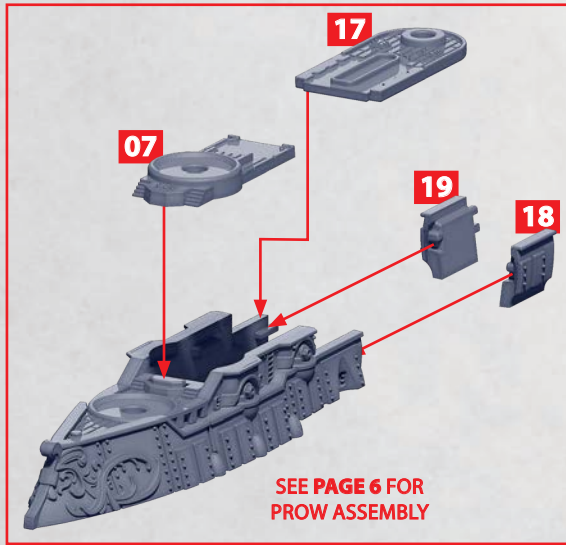


SEE PAGE 10 FOR  
HULL ASSEMBLY



# CHARLEMAGNE CLASS HEAVY CRUISER

PARTS CAN BE FOUND ON THE ALLIANCE FRONTLINE SQUADRONS SPRUES



# CHARLEMAGNE CLASS HEAVY CRUISER

PARTS CAN BE FOUND ON THE **ALLIANCE FRONTLINE SQUADRONS** SPRUES AND  
**UNION/ALLIANCE ADD ON** SPRUE (SOME HARDPOINT (🔒) / (🛡️) OPTIONS)

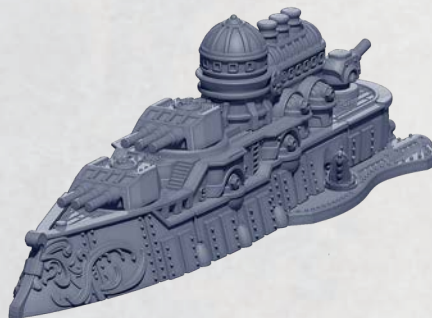
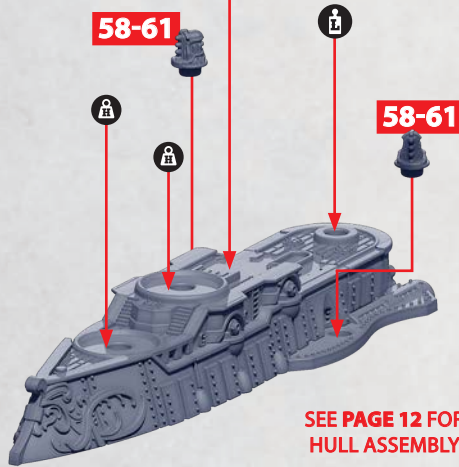
SEE PAGE 3 FOR  
PORTUGUESE BRIDGE  
ASSEMBLY



OR

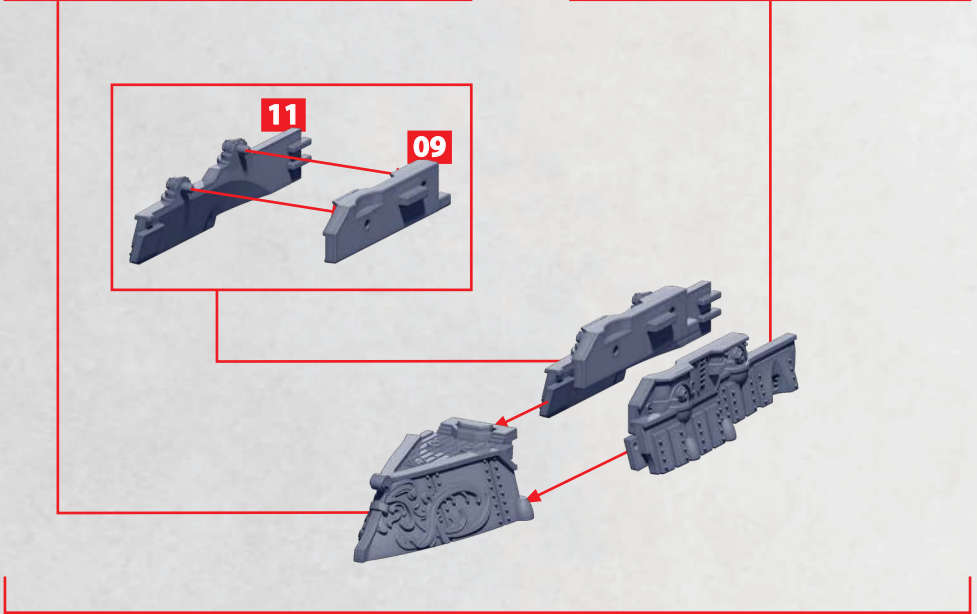
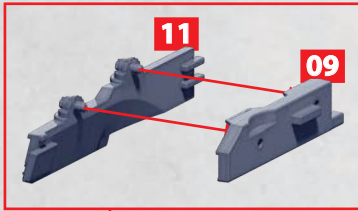
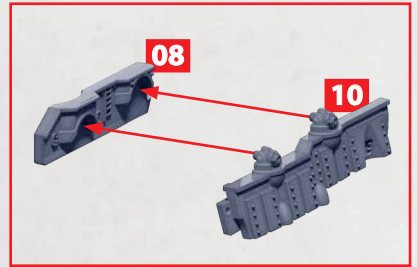
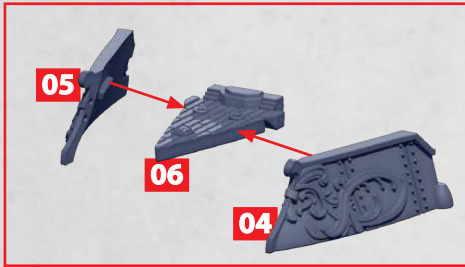


SEE PAGE 4 FOR  
FRENCH BRIDGE  
ASSEMBLY



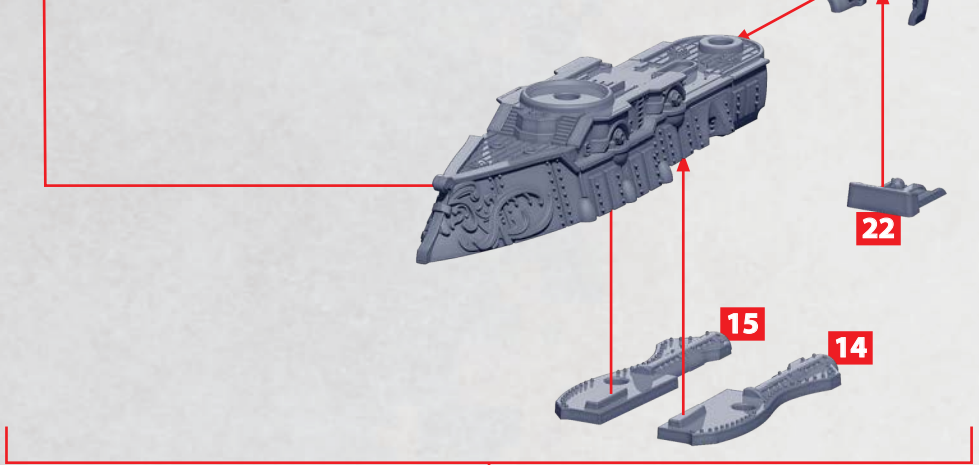
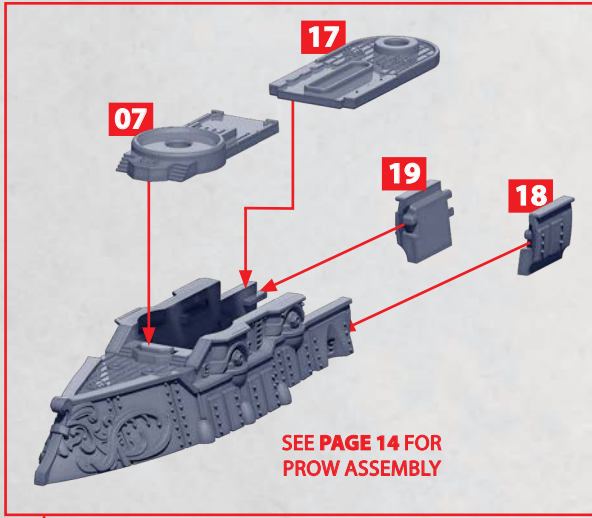
# LOIRE & PICARDY CRUISER PROWS

PARTS CAN BE FOUND ON THE ALLIANCE FRONTLINE SQUADRONS SPRUES



# LOIRE CLASS LIGHT CRUISER

PARTS CAN BE FOUND ON THE ALLIANCE FRONTLINE SQUADRONS SPRUES



# LOIRE CLASS LIGHT CRUISER

PARTS CAN BE FOUND ON THE **ALLIANCE FRONTLINE SQUADRONS** SPRUES AND  
**UNION/ALLIANCE ADD ON** SPRUE (SOME HARDPOINT (🔒) / (🛡️) OPTIONS)

SEE PAGE 3 FOR  
PORTUGUESE BRIDGE  
ASSEMBLY



OR

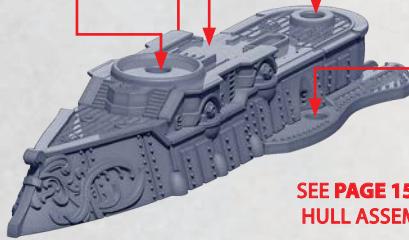


SEE PAGE 4 FOR  
FRENCH BRIDGE  
ASSEMBLY

58-61



58-61

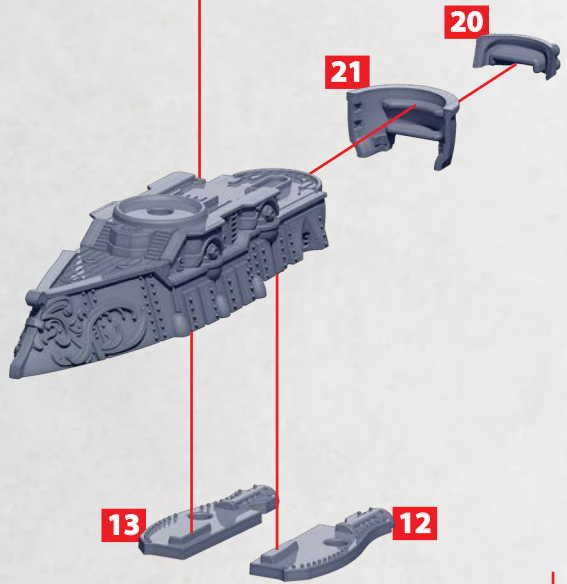
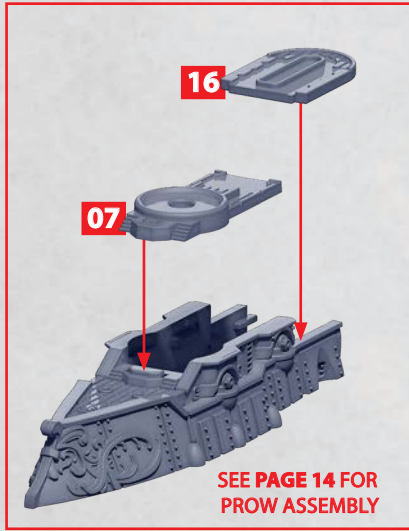


SEE PAGE 15 FOR  
HULL ASSEMBLY



# PICARDY CLASS MONITOR

PARTS CAN BE FOUND ON THE ALLIANCE FRONTLINE SQUADRONS SPRUES



# PICARDY CLASS MONITOR

PARTS CAN BE FOUND ON THE **ALLIANCE FRONTLINE SQUADRONS** SPRUES AND  
**UNION/ALLIANCE ADD ON** SPRUE (SOME HARDPOINT (🔒) OPTIONS)

SEE PAGE 3 FOR  
PORTUGUESE BRIDGE  
ASSEMBLY



OR



SEE PAGE 4 FOR  
FRENCH BRIDGE  
ASSEMBLY

58-61



58-61

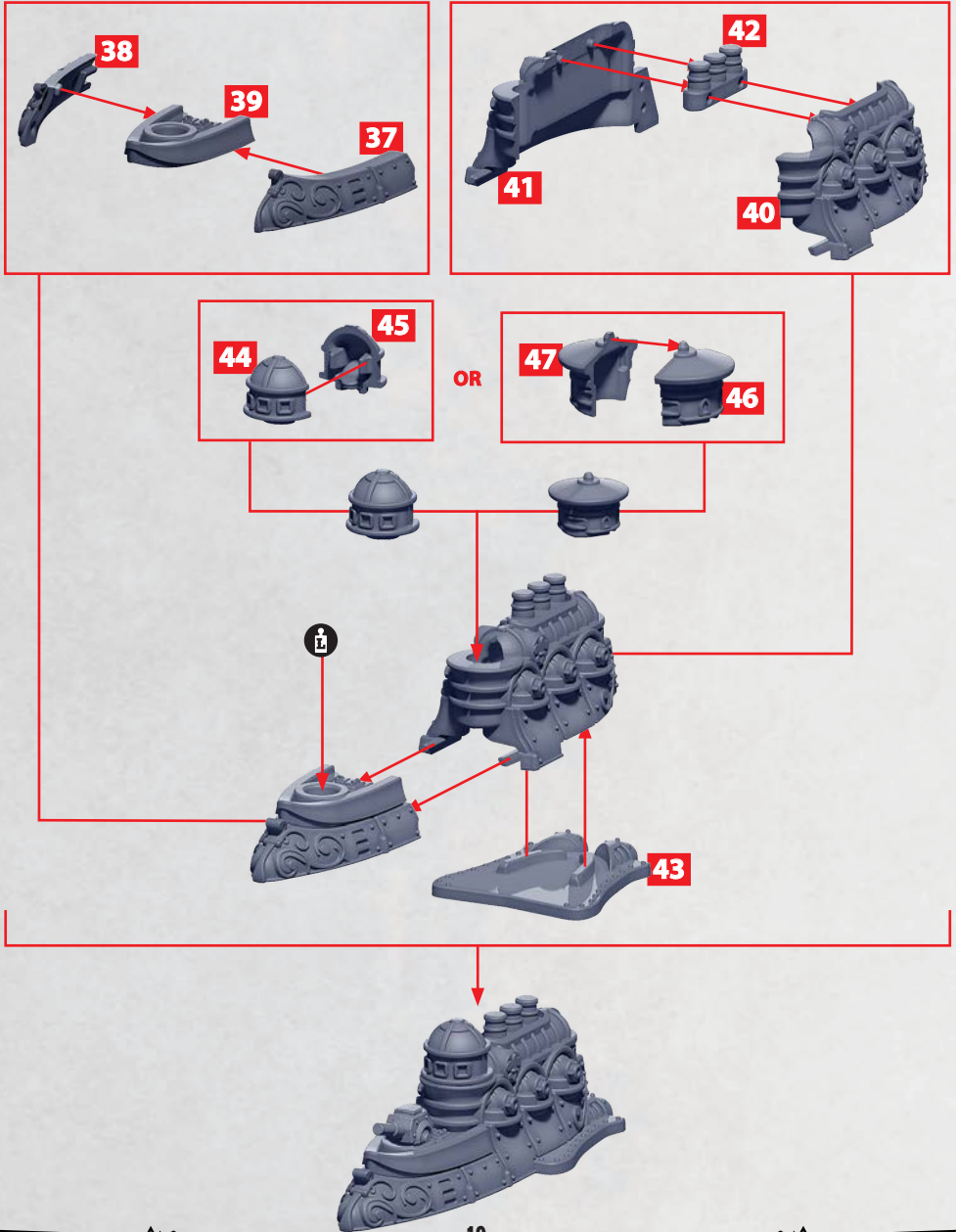


SEE PAGE 17 FOR  
HULL ASSEMBLY



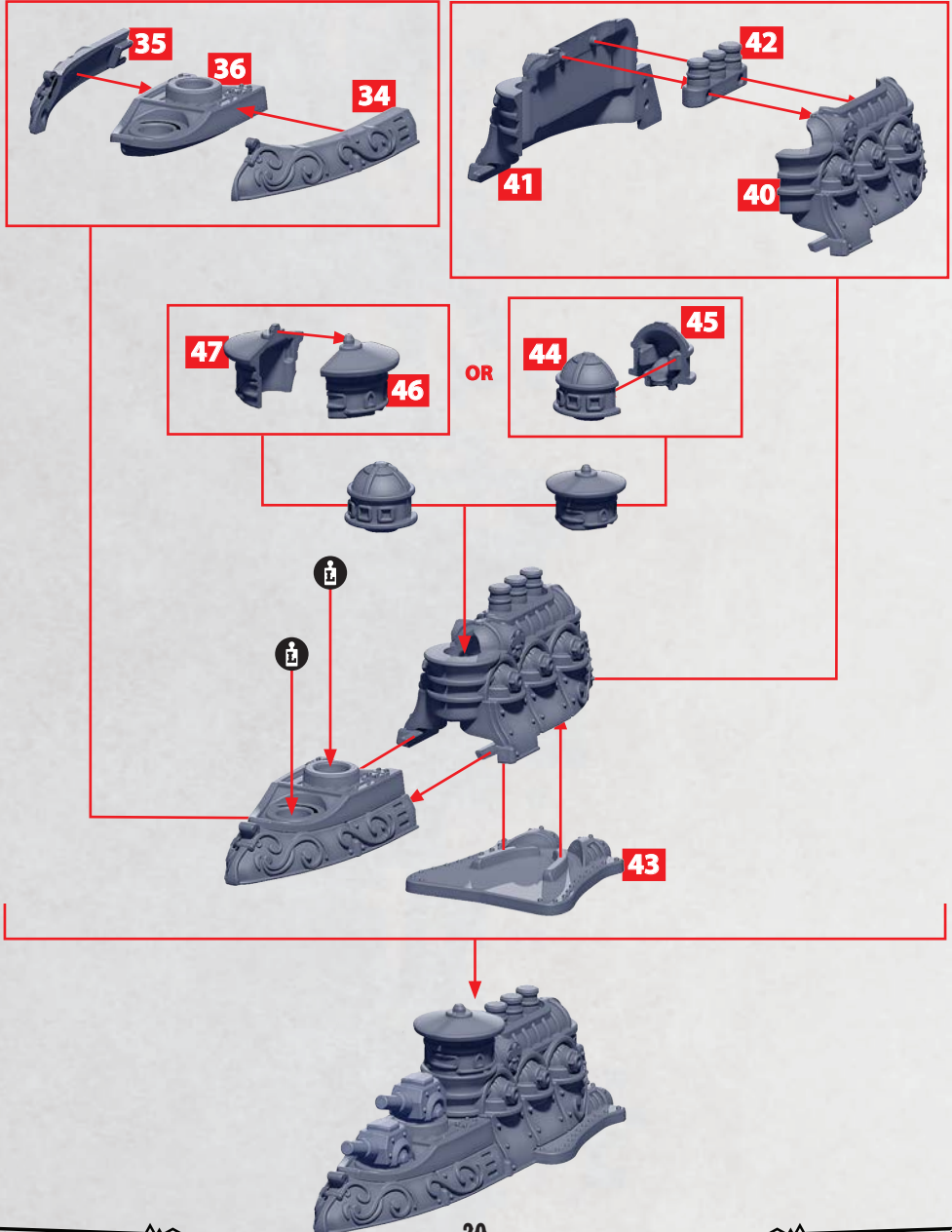
# ECUYERE CLASS FRIGATE

PARTS CAN BE FOUND ON THE **ALLIANCE FRONTLINE SQUADRONS** SPRUES AND  
**UNION/ALLIANCE ADD ON** SPRUE (SOME HARDPOINT (H) OPTIONS)



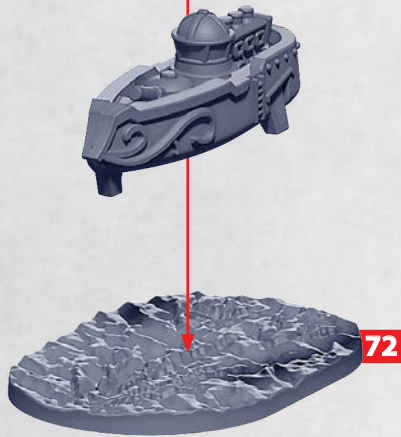
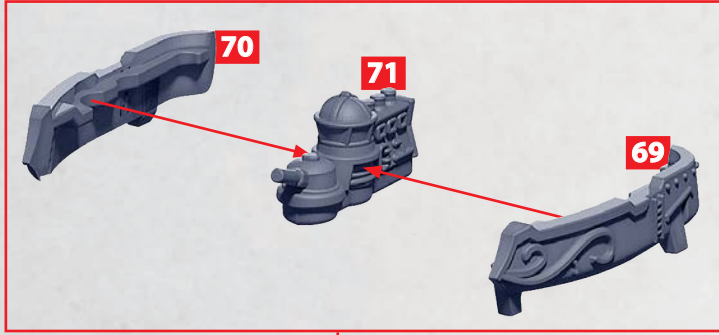
# BRETTEUR CLASS FRIGATE

PARTS CAN BE FOUND ON THE **ALLIANCE FRONTLINE SQUADRONS** SPRUES AND  
**UNION/ALLIANCE ADD ON** SPRUE (SOME HARDPOINT (E) OPTIONS)



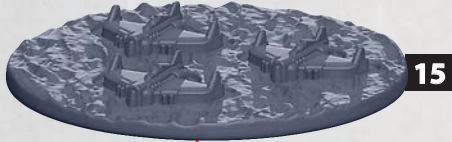
# ESCORTS

PARTS CAN BE FOUND ON THE ALLIANCE FRONTLINE SQUADRONS SPRUES



## SRS TOKENS

PARTS CAN BE FOUND ON THE **ALLIANCE FRONTLINE SQUADRONS** SPRUES AND  
**UNION/ALLIANCE ADD ON** SPRUE (BLACK NUMBERS)



16

THIS COMPONENT  
IS ONLY USED IN  
UNION FORCES.

