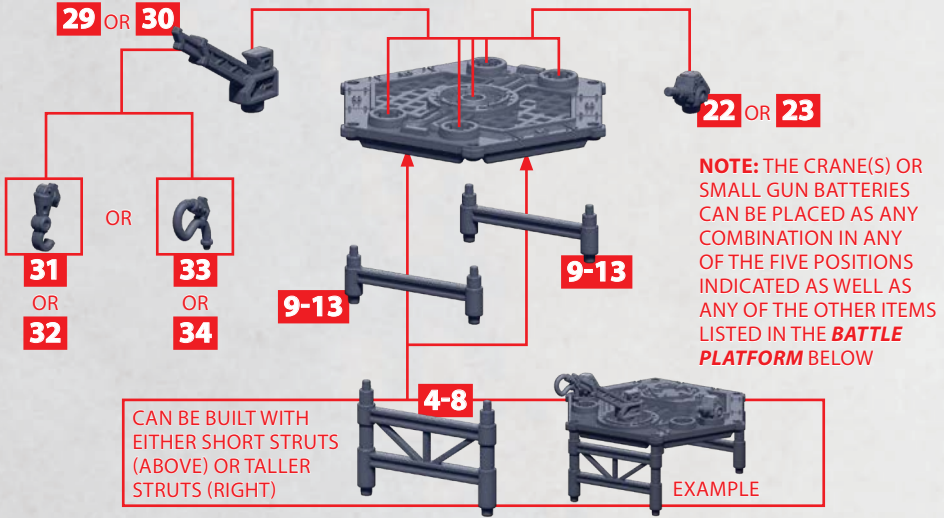


OFFSHORE DEFENCE PLATFORM

PARTS CAN BE FOUND ON THE DYSTOPIAN WARS OBJECTIVE SET SPRUES



OFFSHORE HEAVY PLATFORM

PARTS CAN BE FOUND ON THE DYSTOPIAN WARS OBJECTIVE SET SPRUES



OFFSHORE SUPPLY PLATFORM

PARTS CAN BE FOUND ON THE DYSTOPIAN WARS OBJECTIVE SET SPRUES

IMPORTANT: BE SURE TO STUDY THE OPTIONS PRIOR TO FINALIZING YOUR BUILD

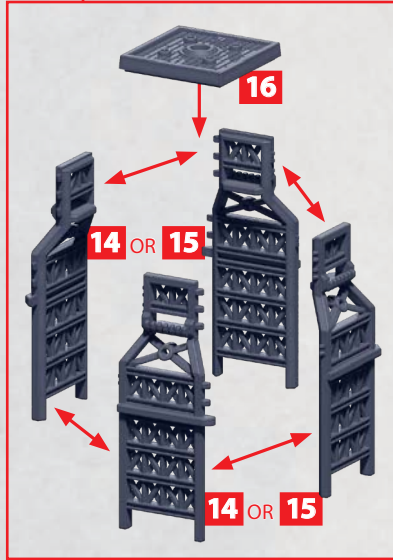
OPTION 2

NOTE: ONLY ONE TOWER BUILD IS POSSIBLE BETWEEN THE TWO SPRUES INCLUDED

OPTION 1



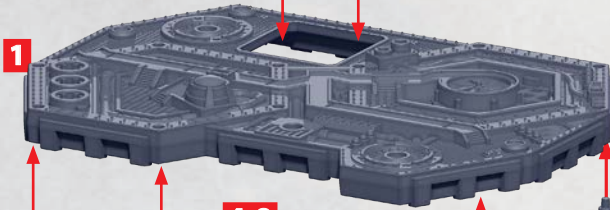
DECK CAN BE PLACED ONTO THE PLATFORM TO COVER THE OPENING



TOWER (WITH DECK) CAN BE PLACED INTO THE PLATFORM



OR



CAN BE BUILT WITH EITHER TALL STRUTS (ABOVE) OR SHORTER STRUTS (RIGHT)

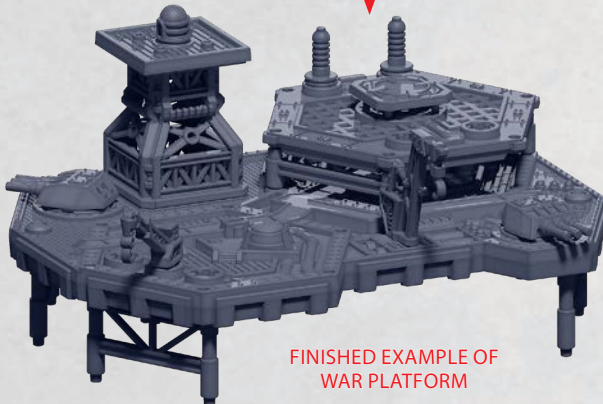
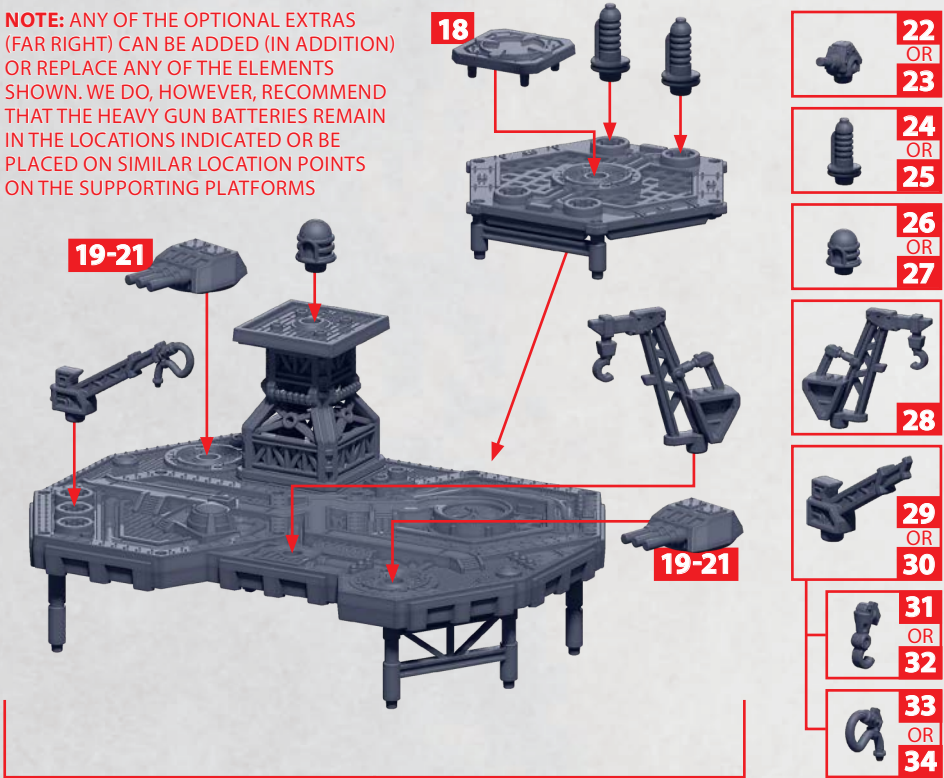


EXAMPLE

OFFSHORE SUPPLY PLATFORM

PARTS CAN BE FOUND ON THE DYSTOPIAN WARS OBJECTIVE SET SPRUES

NOTE: ANY OF THE OPTIONAL EXTRAS (FAR RIGHT) CAN BE ADDED (IN ADDITION) OR REPLACE ANY OF THE ELEMENTS SHOWN. WE DO, HOWEVER, RECOMMEND THAT THE HEAVY GUN BATTERIES REMAIN IN THE LOCATIONS INDICATED OR BE PLACED ON SIMILAR LOCATION POINTS ON THE SUPPORTING PLATFORMS



EXAMPLE SUPPORT PLATFORM

