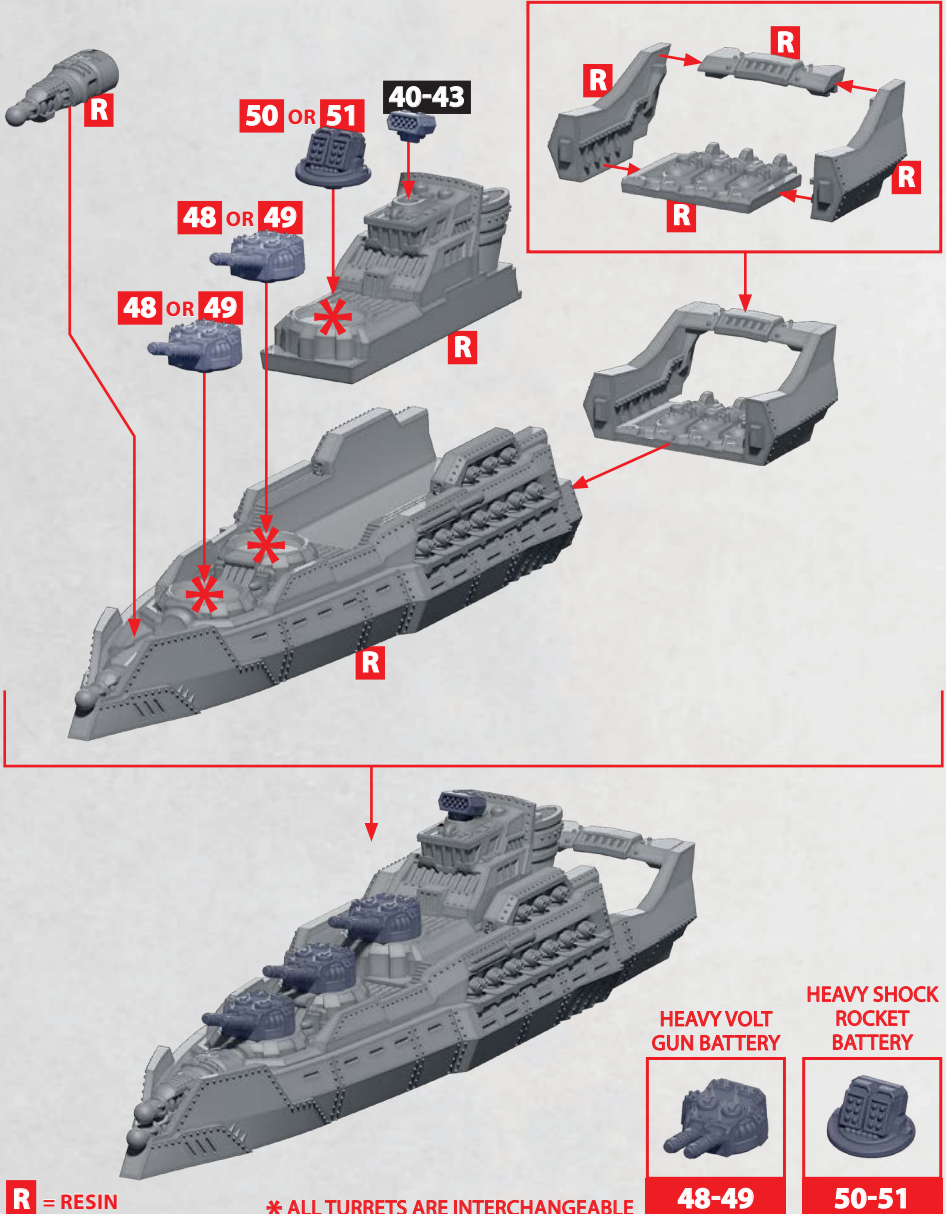


# VALHALLA FAST DREADNOUGHT

PARTS CAN BE FOUND AS RESIN, THE SCANDINAVIAN FRONTLINE SQUADRONS SPRUES AND THE SCANDINAVIAN SUPPORT SQUADRONS SPRUES (BLACK NUMBERS)



**R** = RESIN

\* ALL TURRETS ARE INTERCHANGEABLE

HEAVY VOLT  
GUN BATTERY



**48-49**

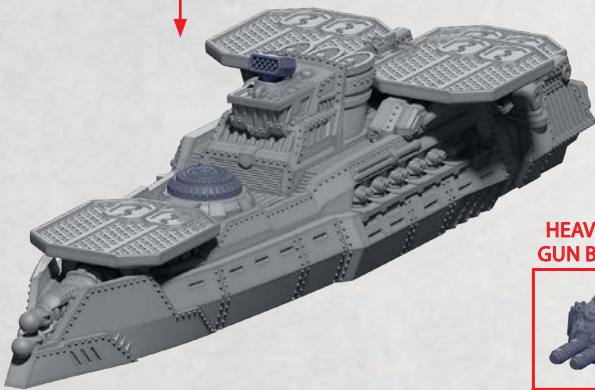
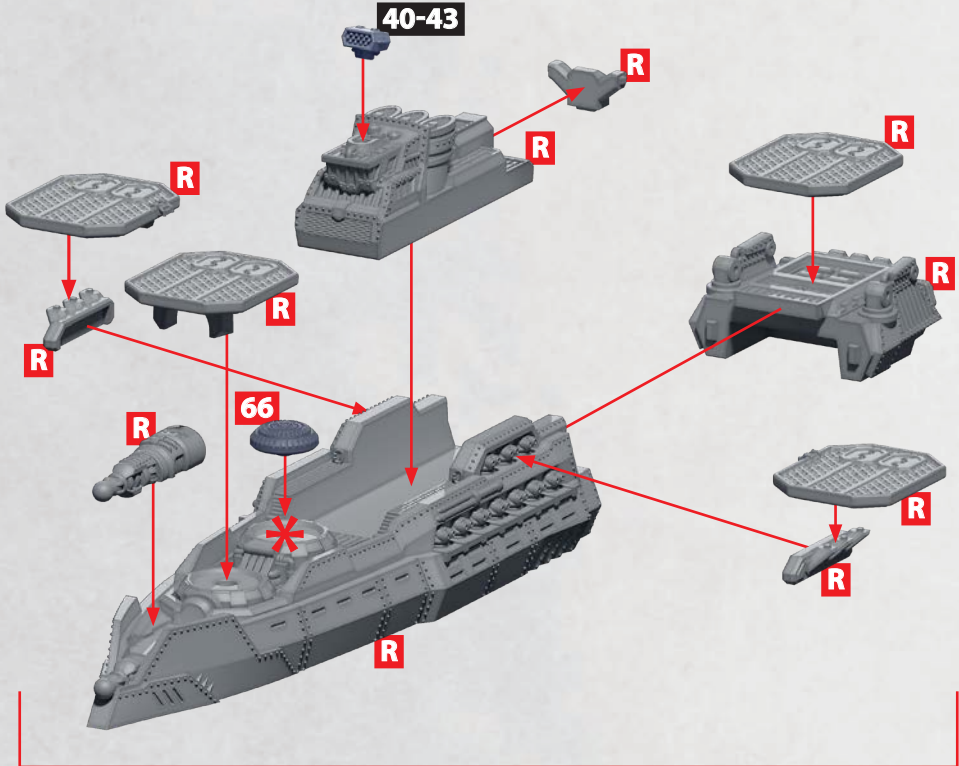
HEAVY SHOCK  
ROCKET BATTERY



**50-51**

# ASGARD ROTOR TETHERSHIP

PARTS CAN BE FOUND AS RESIN, THE SCANDINAVIAN FRONTLINE SQUADRONS SPRUES AND THE SCANDINAVIAN SUPPORT SQUADRONS SPRUES (BLACK NUMBERS)



**R** = RESIN

\* ALL TURRETS ARE INTERCHANGEABLE

HEAVY VOLT GUN BATTERY



48-49

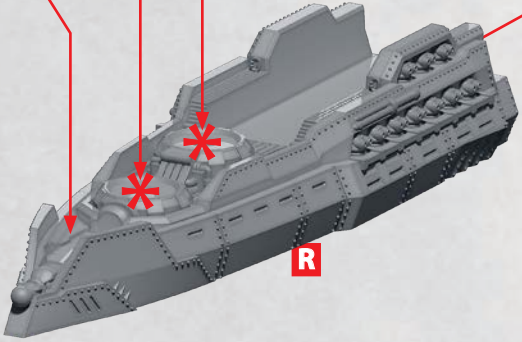
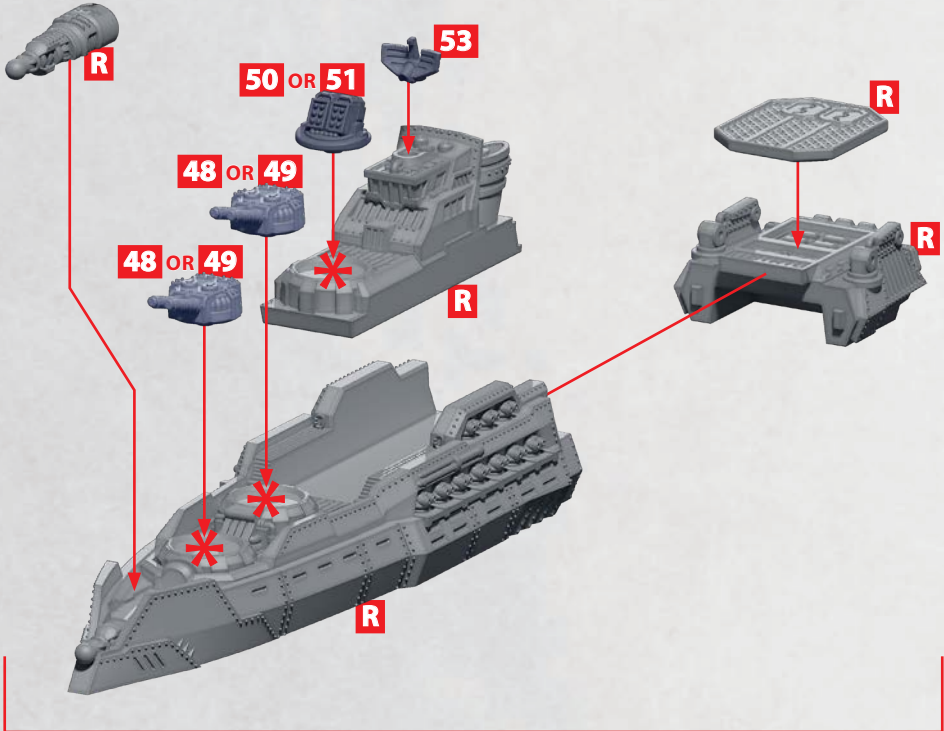
HEAVY SHOCK ROCKET BATTERY



50-51

# SKJALDEN SCION COMMAND SHIP

PARTS CAN BE FOUND AS RESIN AND ON THE SCANDINAVIAN FRONTLINE SQUADRONS SPRUE



**R** = RESIN

\* ALL TURRETS ARE INTERCHANGEABLE

HEAVY VOLT GUN BATTERY

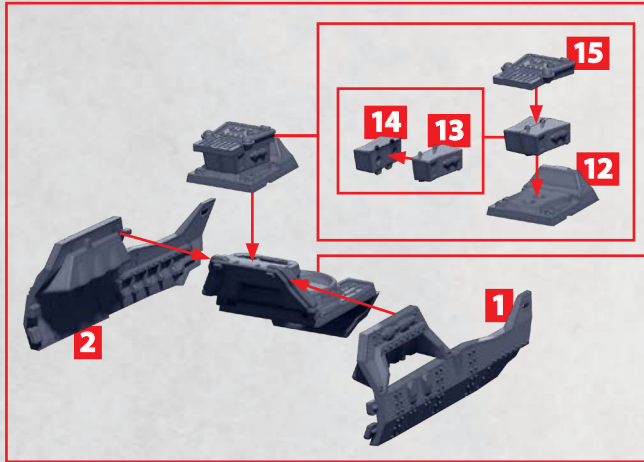


HEAVY SHOCK ROCKET BATTERY

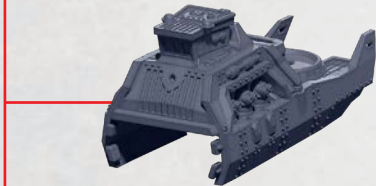
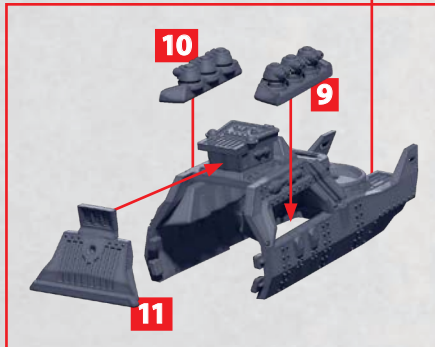


# THOR

PARTS CAN BE FOUND ON THE SCANDINAVIAN SUPPORT SQUADRONS SPRUES

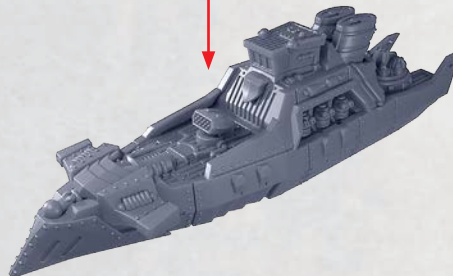
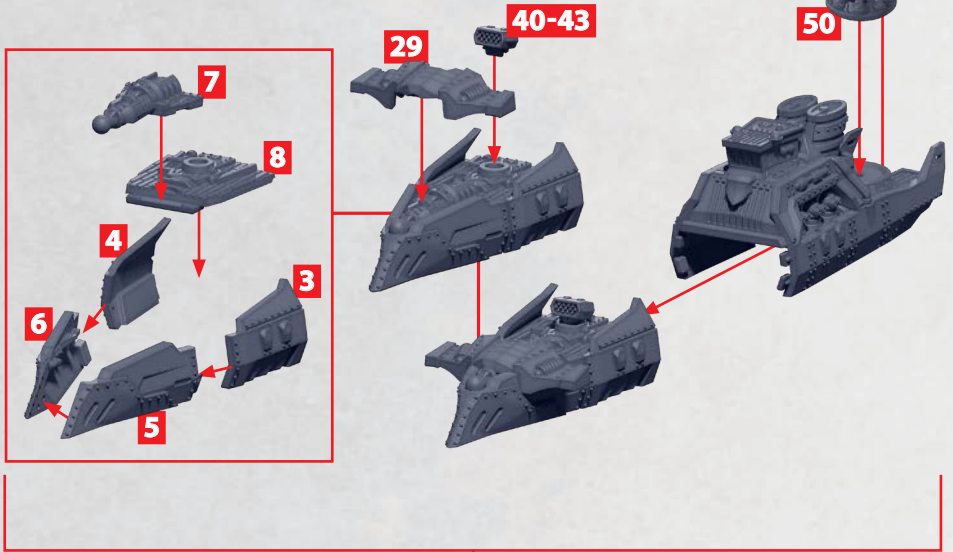
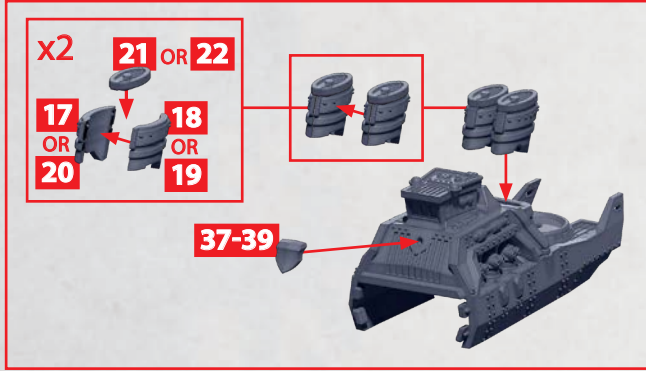


180°  
ROTATED



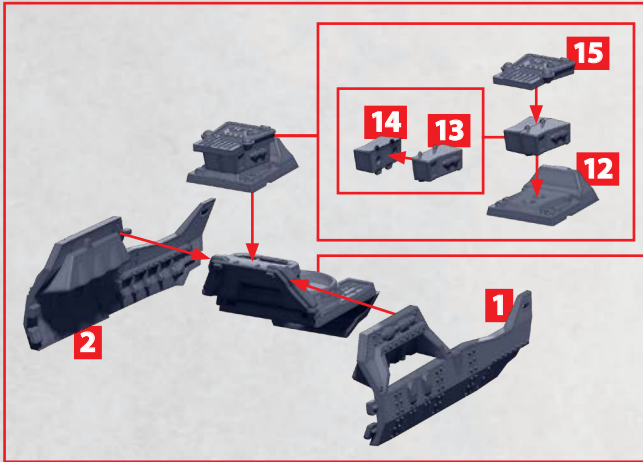
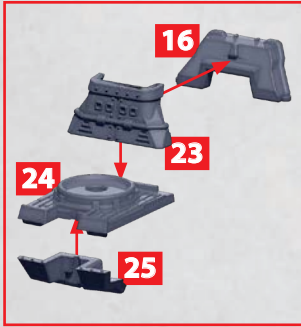
# THOR

PARTS CAN BE FOUND ON THE SCANDINAVIAN SUPPORT SQUADRONS SPRUES

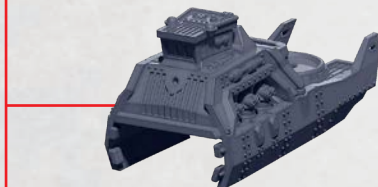
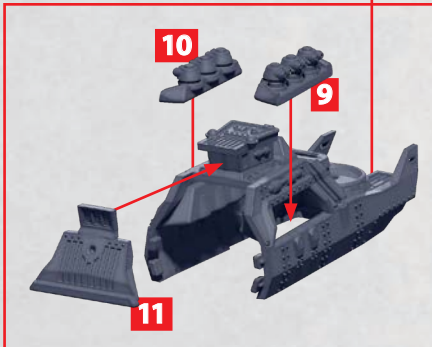


# LOKI

PARTS CAN BE FOUND ON THE SCANDINAVIAN SUPPORT SQUADRONS SPRUES

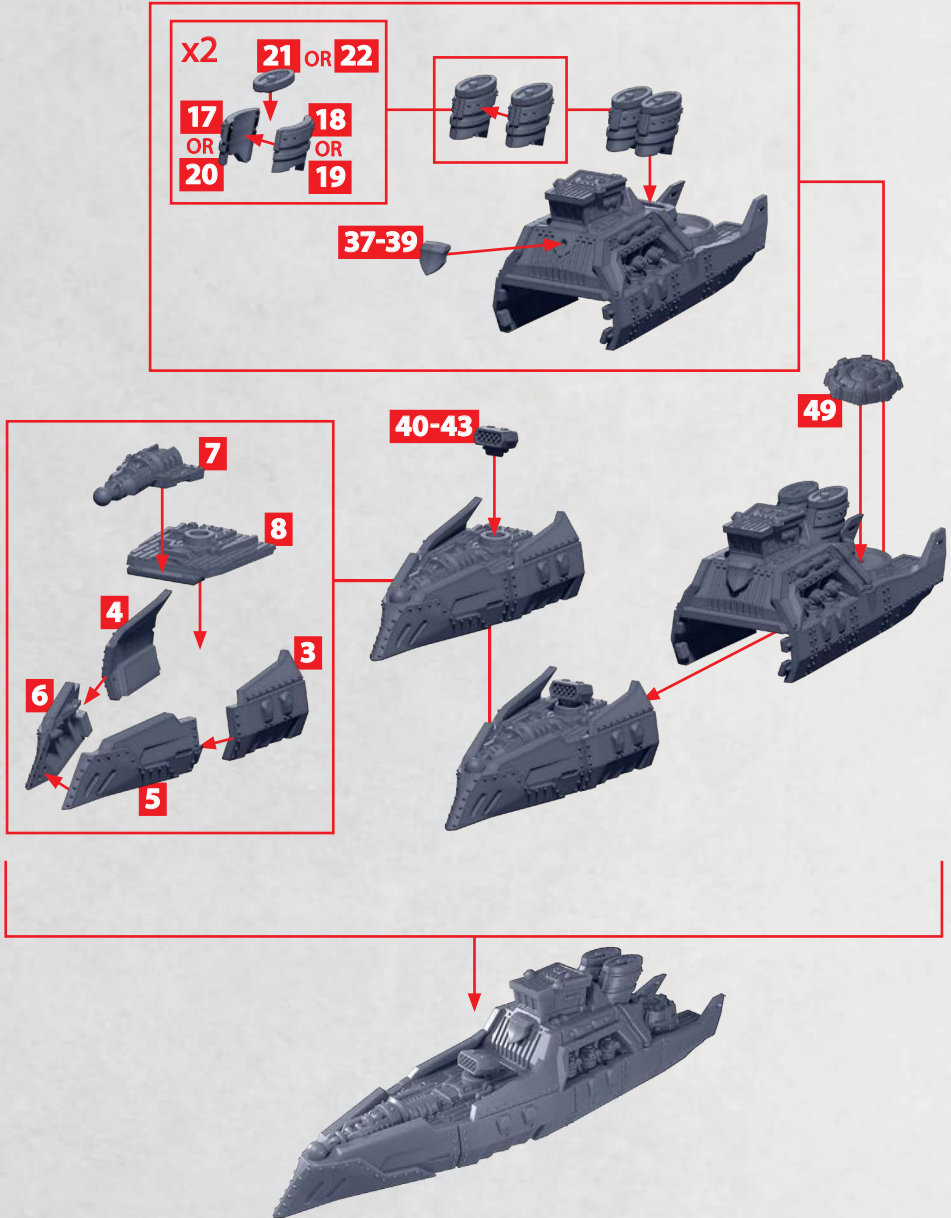


180°  
ROTATED



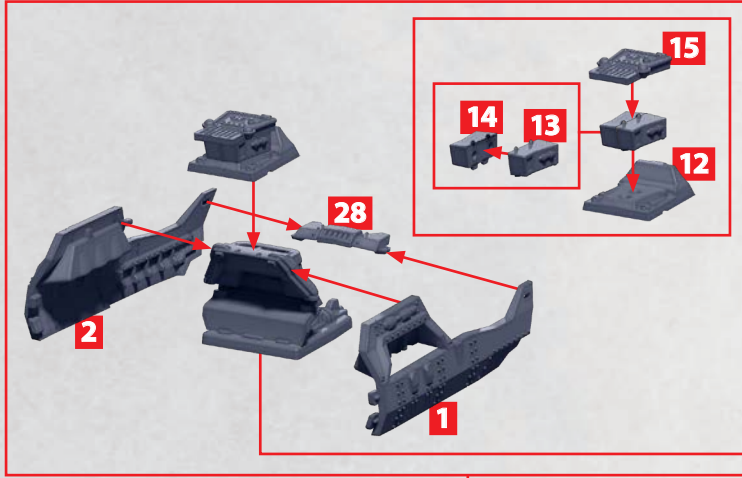
# LOKI

PARTS CAN BE FOUND ON THE SCANDINAVIAN SUPPORT SQUADRONS SPRUES

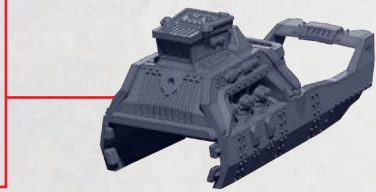
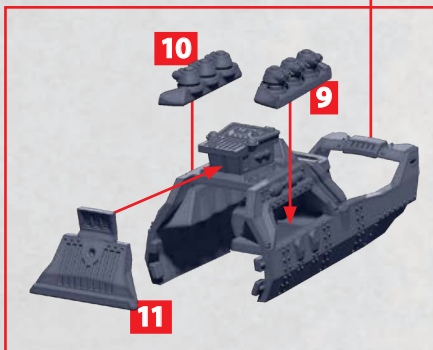


# ANGRBODA

PARTS CAN BE FOUND ON THE SCANDINAVIAN SUPPORT SQUADRONS SPRUES



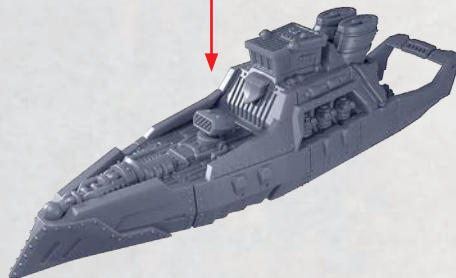
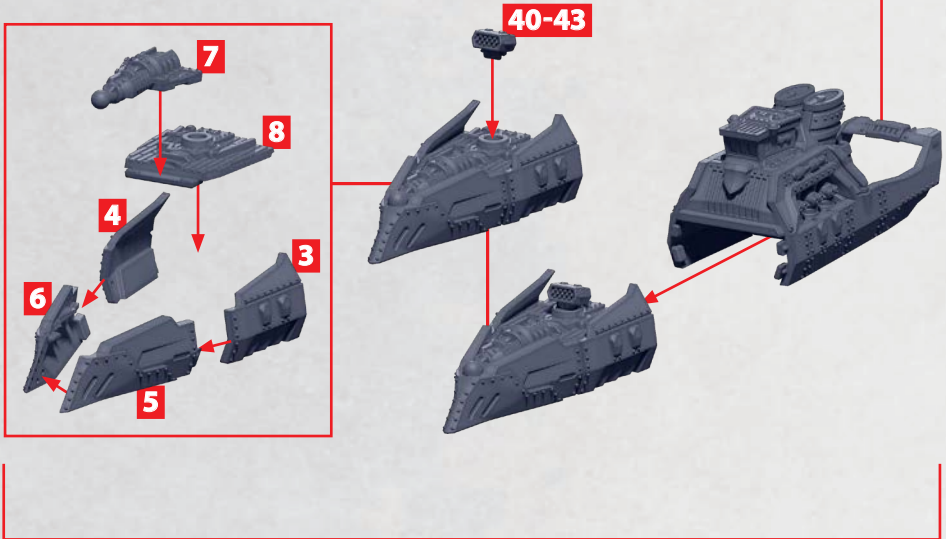
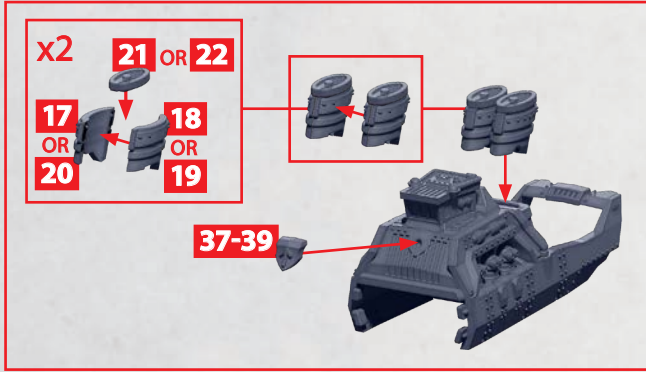
180° ROTATED





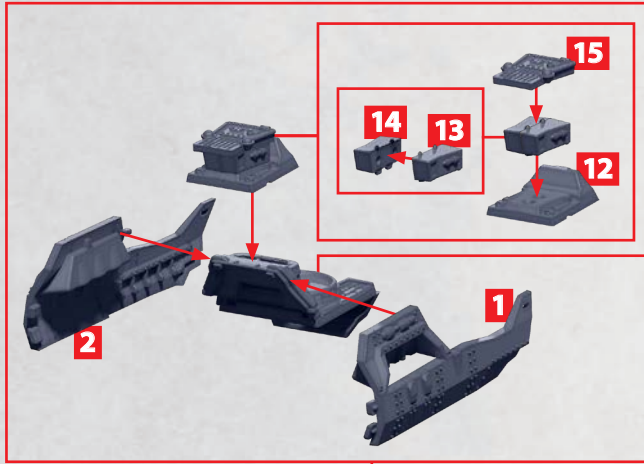
# ANGRBODA

PARTS CAN BE FOUND ON THE SCANDINAVIAN SUPPORT SQUADRONS SPRUES

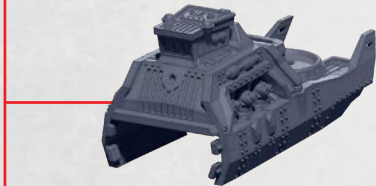
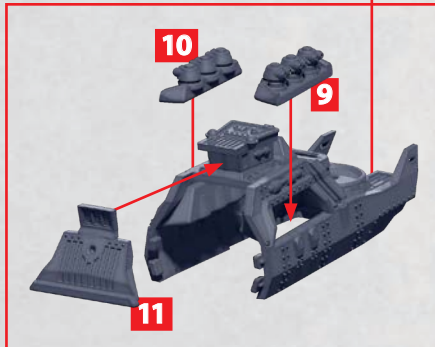


# HEIMDALL

PARTS CAN BE FOUND ON THE SCANDINAVIAN SUPPORT SQUADRONS SPRUES

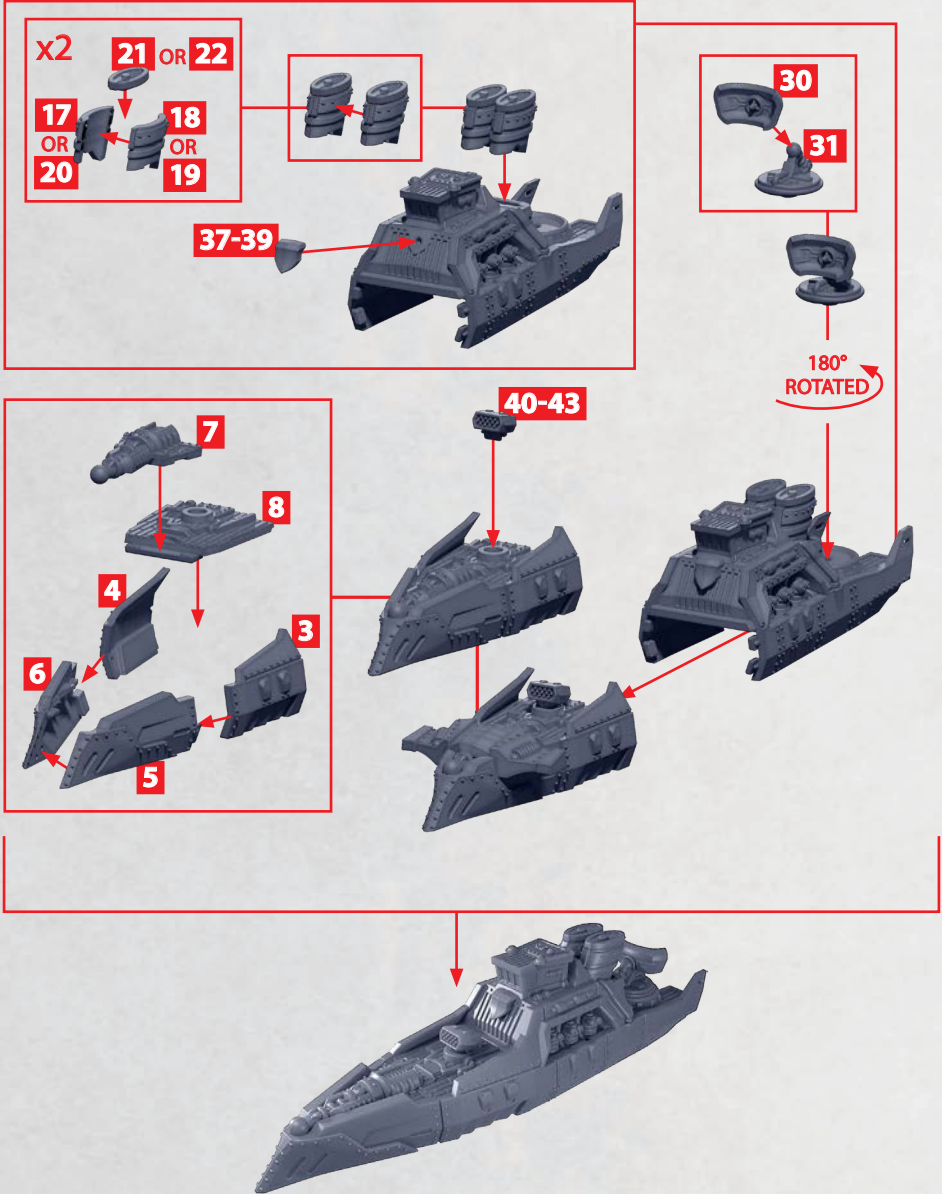


180°  
ROTATED



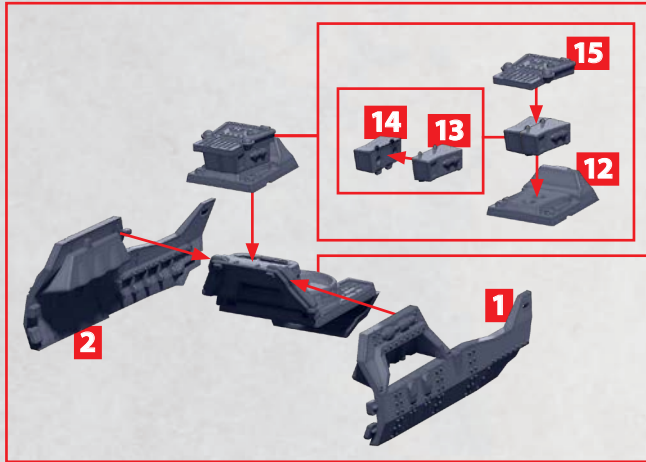
# HEIMDALL

PARTS CAN BE FOUND ON THE SCANDINAVIAN SUPPORT SQUADRONS SPRUES

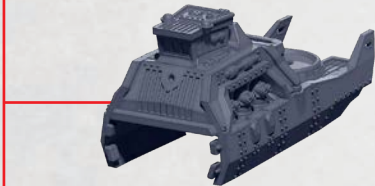
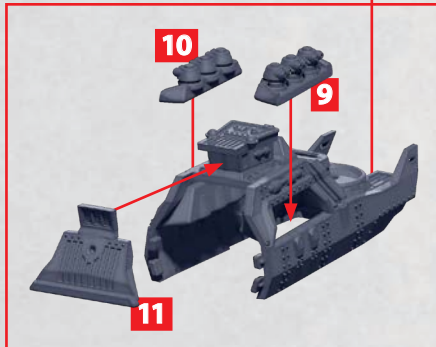


# BALDR

PARTS CAN BE FOUND ON THE SCANDINAVIAN SUPPORT SQUADRONS SPRUES

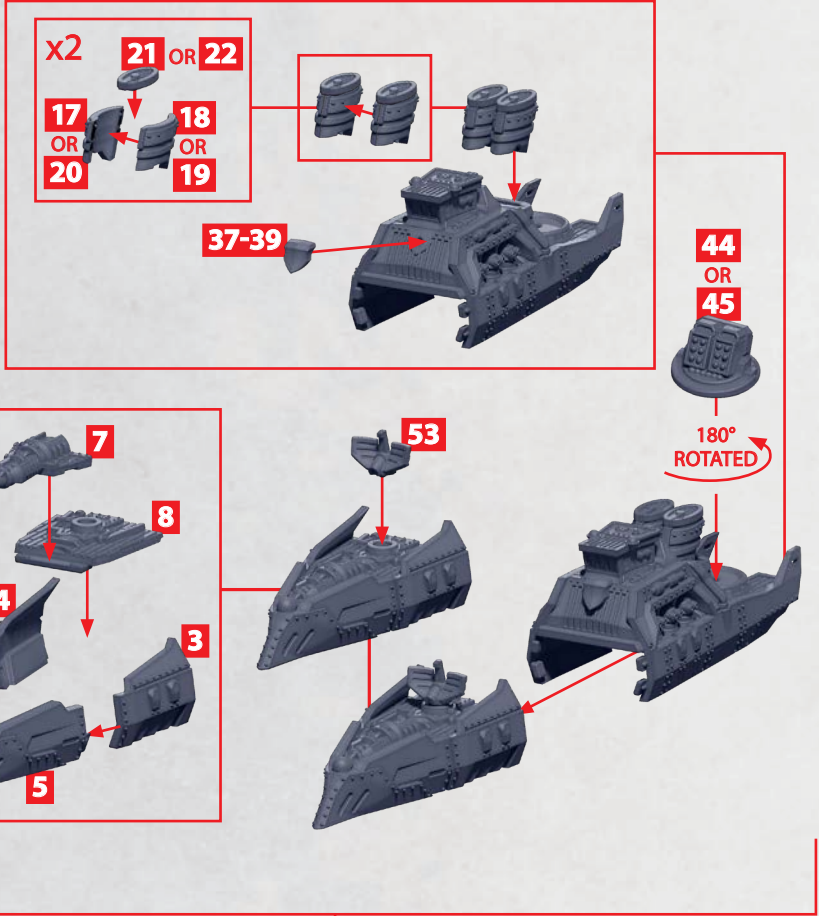


180°  
ROTATED



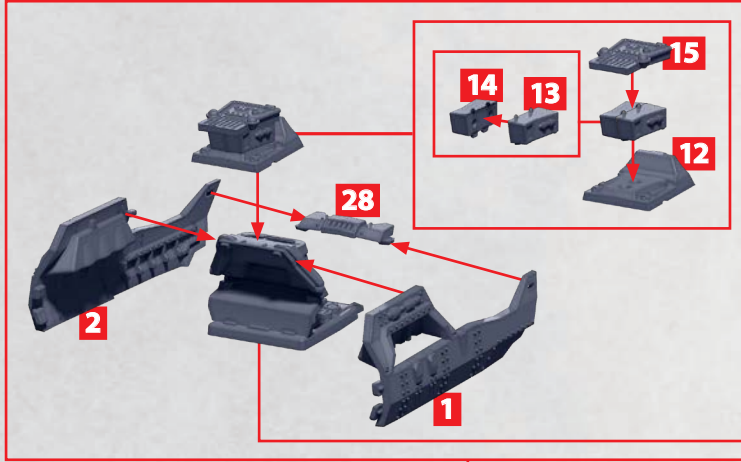
# BALDR

PARTS CAN BE FOUND ON THE SCANDINAVIAN SUPPORT SQUADRONS SPRUES

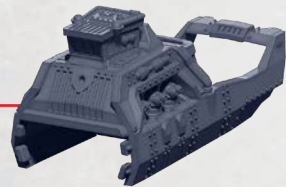
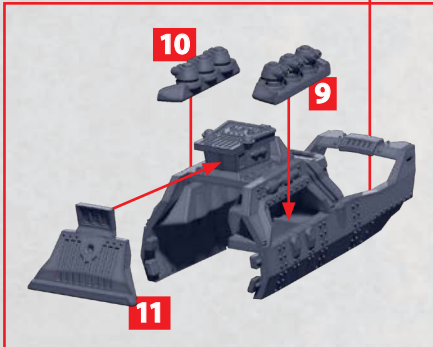


# GEFJON

PARTS CAN BE FOUND ON THE SCANDINAVIAN SUPPORT SQUADRONS SPRUES

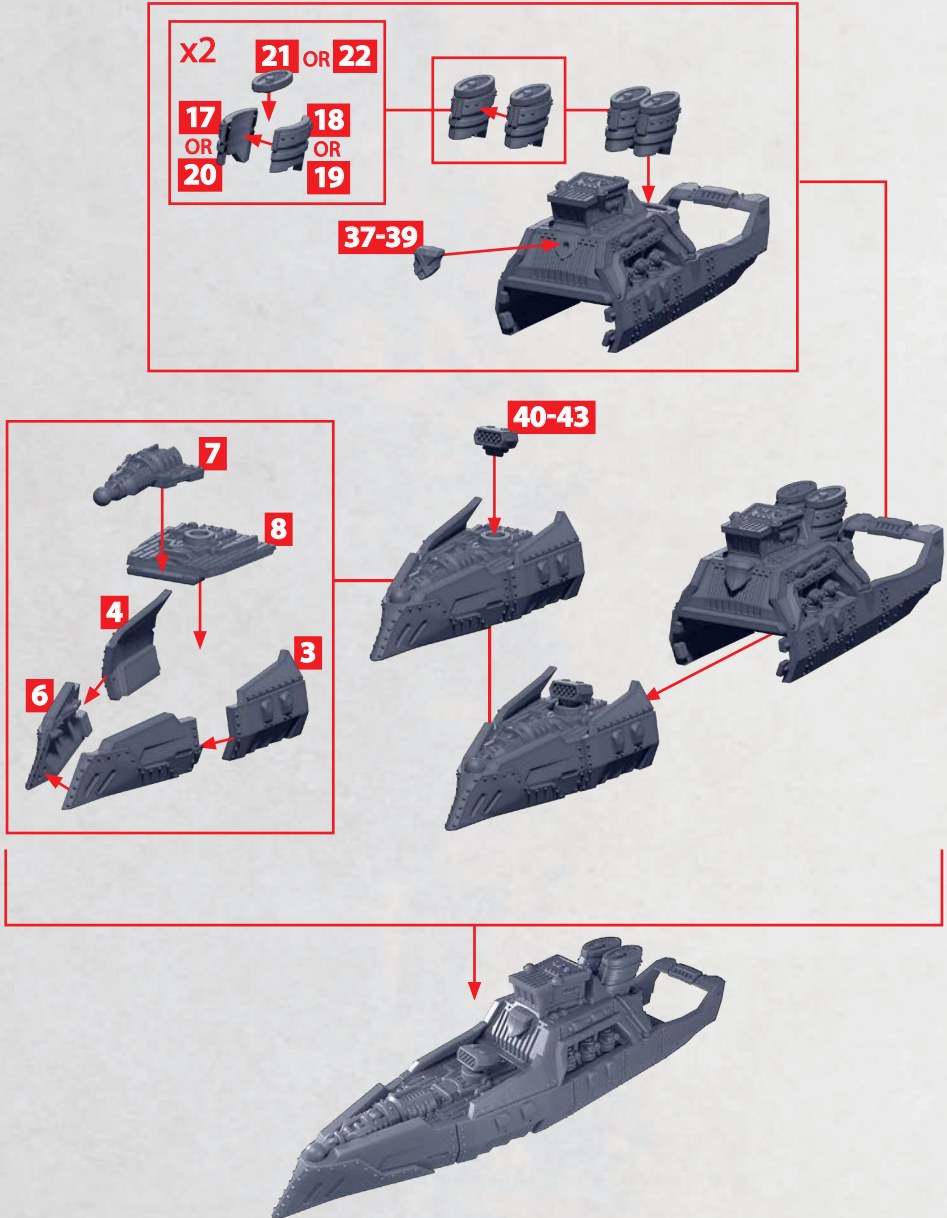


180°  
ROTATED



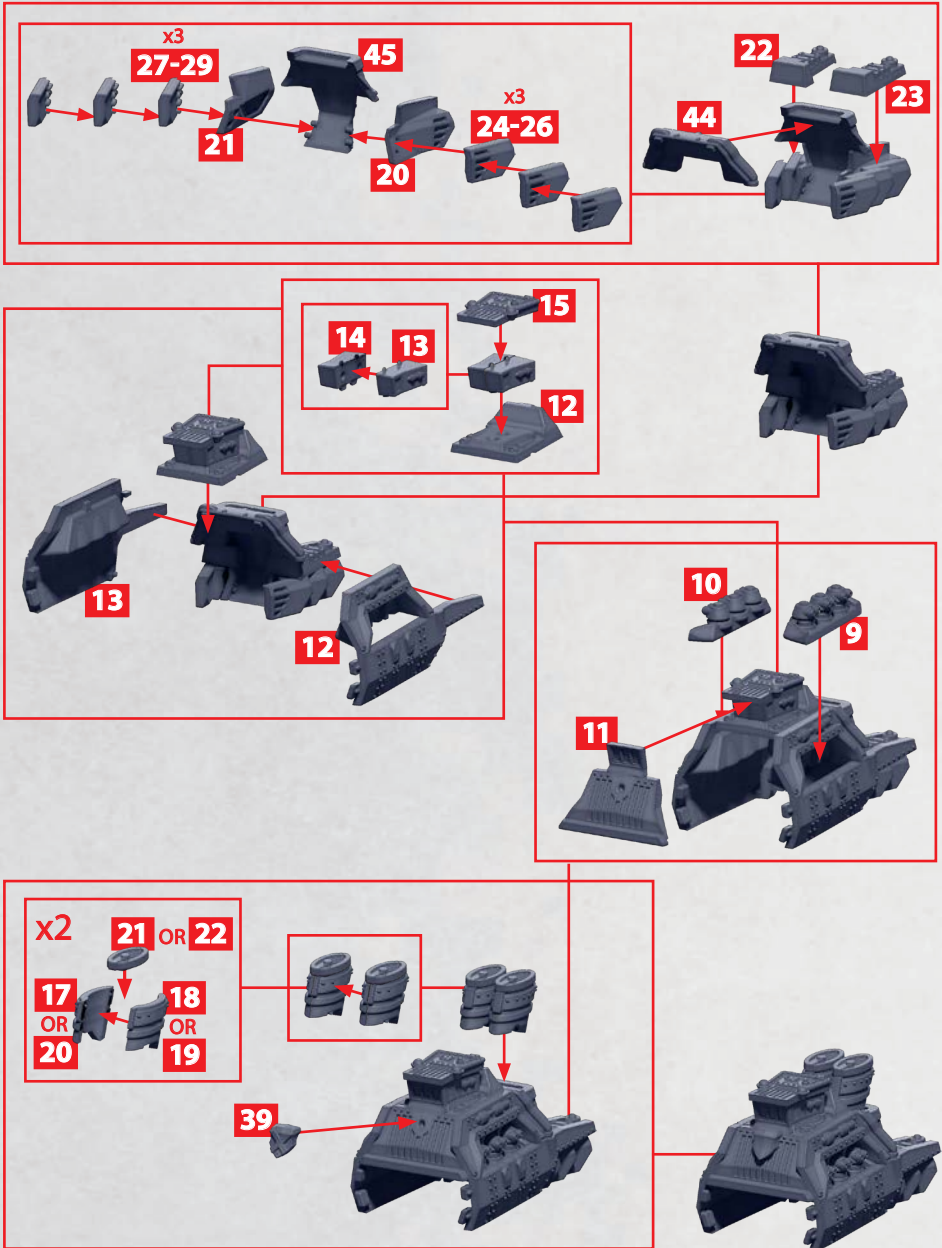
# GEFJON

PARTS CAN BE FOUND ON THE SCANDINAVIAN SUPPORT SQUADRONS SPRUES



# ODIN REAVER, JOTUUN AND GUNGIR AFT

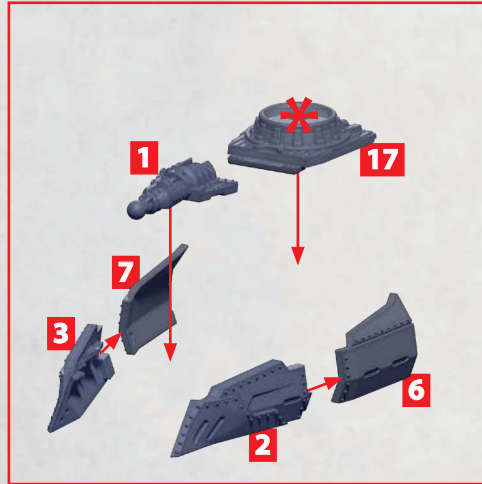
PARTS CAN BE FOUND ON THE SCANDINAVIAN FRONTLINE SQUADRONS SPRUES



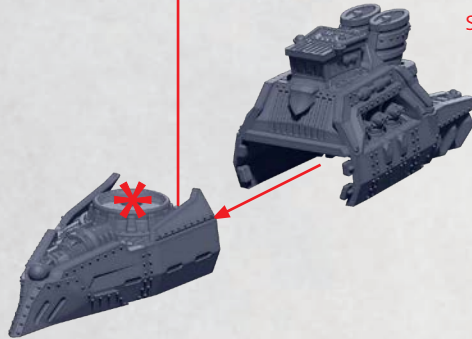


# ODIN REAVER

PARTS CAN BE FOUND ON THE SCANDINAVIAN FRONTLINE SQUADRONS SPRUES



SEE PAGE 16 FOR AFT ASSEMBLY



\* ALL TURRETS ARE INTERCHANGEABLE

HEAVY VOLT GUN BATTERY



48-49

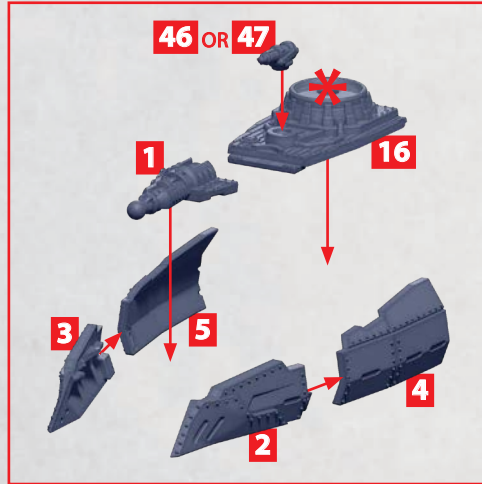
HEAVY SHOCK ROCKET BATTERY



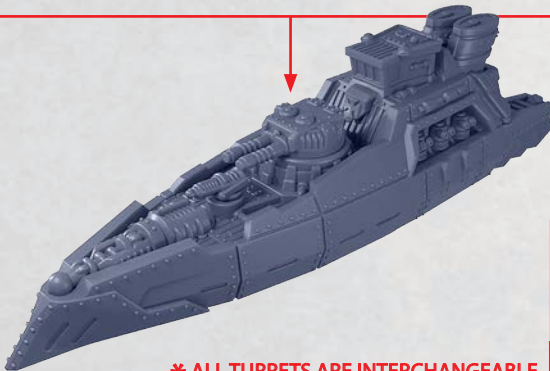
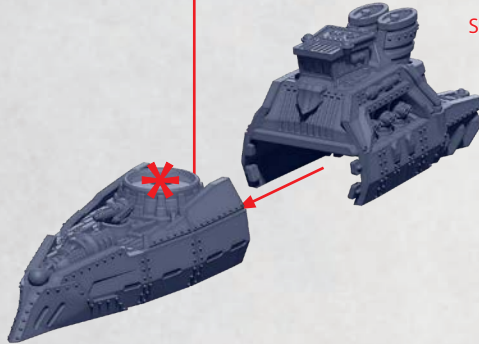
50-51

# JOTUUN

PARTS CAN BE FOUND ON THE SCANDINAVIAN FRONTLINE SQUADRONS SPRUES



SEE PAGE 16 FOR  
AFT ASSEMBLY



\* ALL TURRETS ARE INTERCHANGEABLE

HEAVY VOLT  
GUN BATTERY



48-49

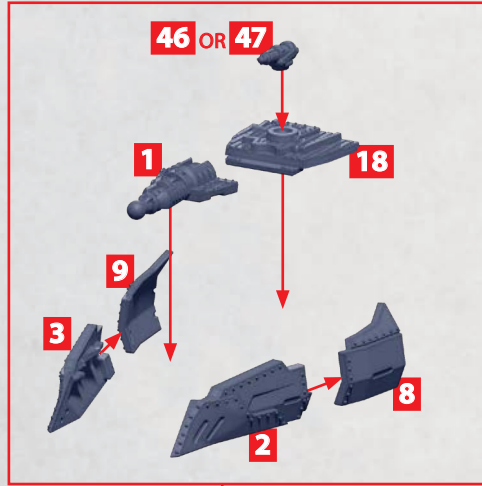
HEAVY SHOCK  
ROCKET  
BATTERY



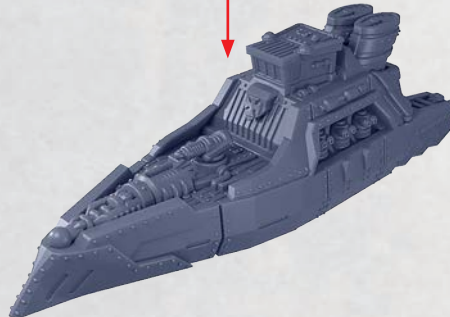
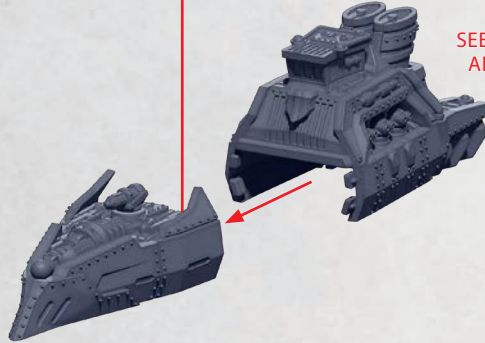
50-51

# GUNGIR

PARTS CAN BE FOUND ON THE SCANDINAVIAN FRONTLINE SQUADRONS SPRUES

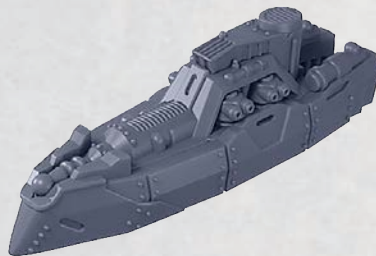
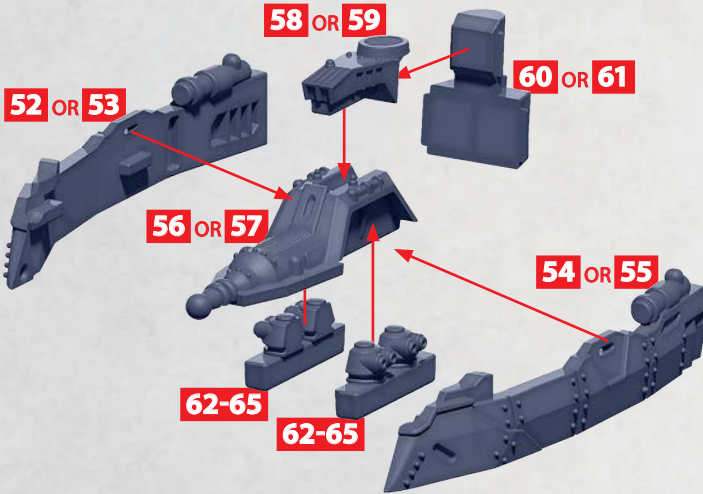


SEE PAGE 16 FOR  
AFT ASSEMBLY



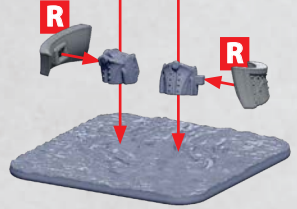
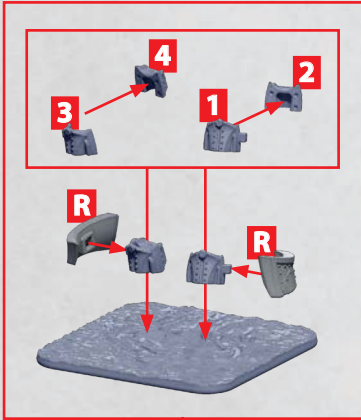
# HOTH

PARTS CAN BE FOUND ON THE SCANDINAVIAN FRONTLINE SQUADRONS SPRUES

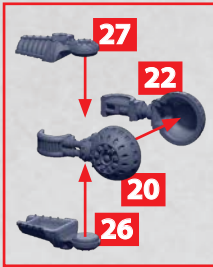
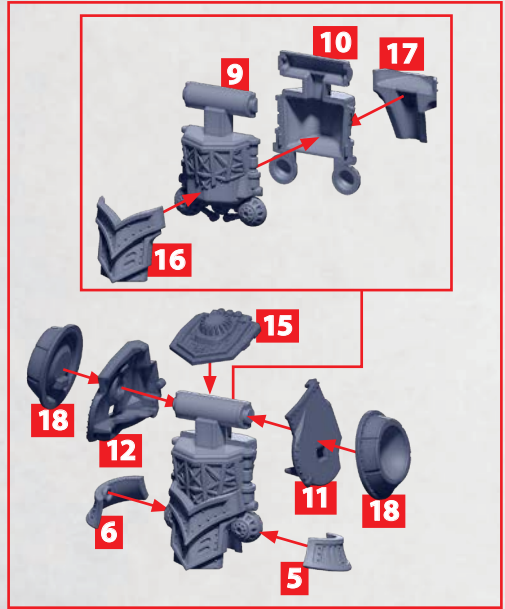
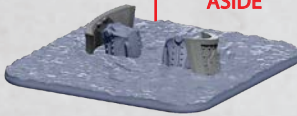


# EINHERJAR

PARTS CAN BE FOUND AS RESIN AND ON THE METZGER SPRUES



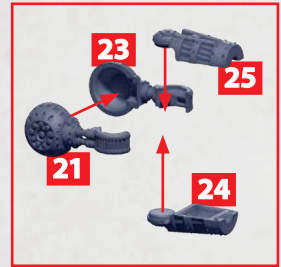
PUT  
ASIDE



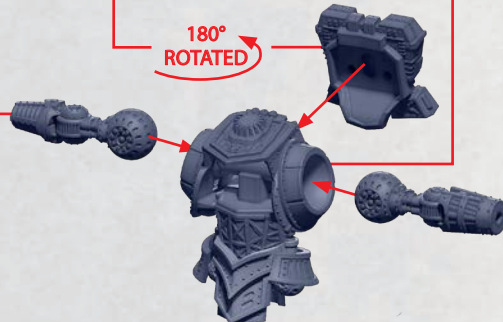
**!! IMPORTANT !!**  
BE SURE TO  
CHECK FINAL  
POSE WHEN  
GLUEING THE  
ARMS TOGETHER  
FOR POSTION



180°  
ROTATED



**!! IMPORTANT !!**  
BE SURE TO  
CHECK FINAL  
POSE WHEN  
GLUEING THE  
ARMS TOGETHER  
FOR POSTION



# EINHERJAR

PARTS CAN BE FOUND AS RESIN AND ON THE METZGER SPRUES

