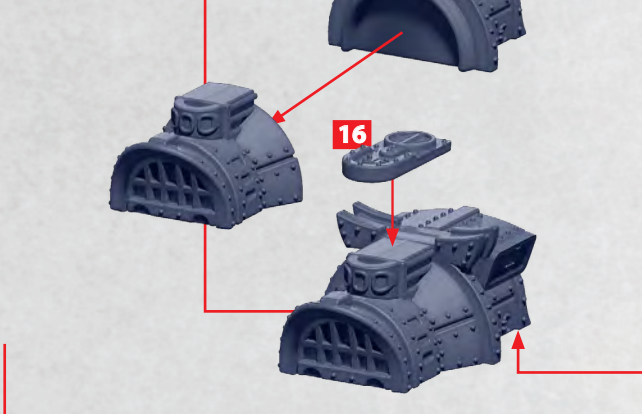
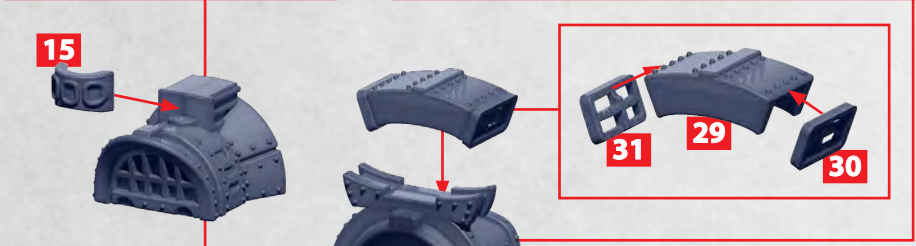


BRIDGE ASSEMBLY FOR CRUISER CLASS

PARTS CAN BE FOUND ON THE JAPANESE FRONTLINE SQUADRONS SPRUES



REAR WALL ROTATES TO DISPLAY EITHER OPTION

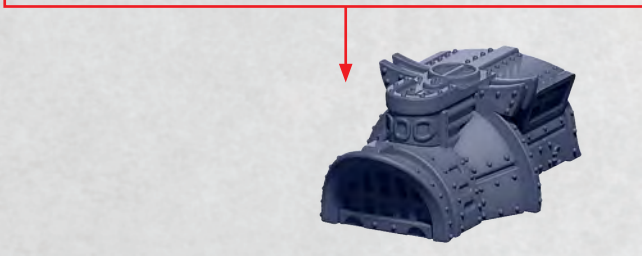
32

THE REAR WALL APPEARS ON

- HONSHU
- HOKKAIDO
- KANAGAWA
- OSAKA

DUE THE FOLLOWING CRUISERS HAVING AN OPEN REAR, PART 32 IS NOT REQUIRED

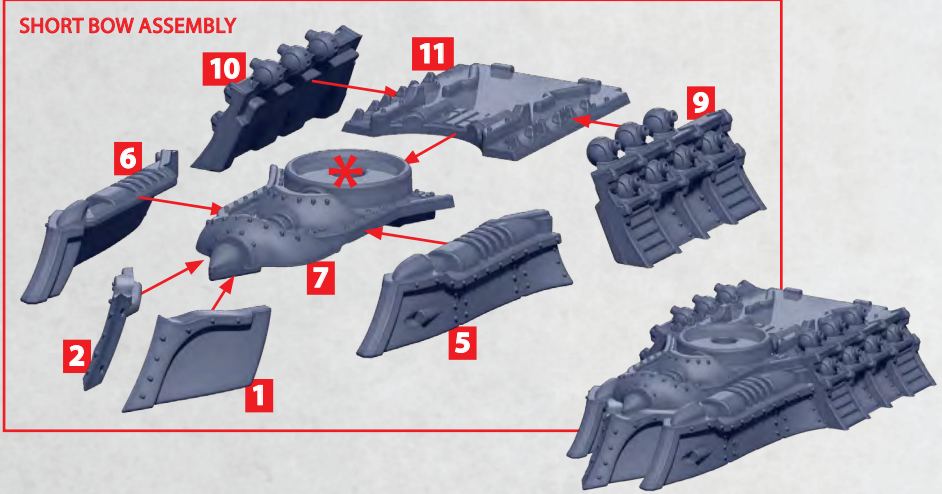
- MIYAGI
- ISHIKAWA
- OKINAWA
- YAMAGUCHI



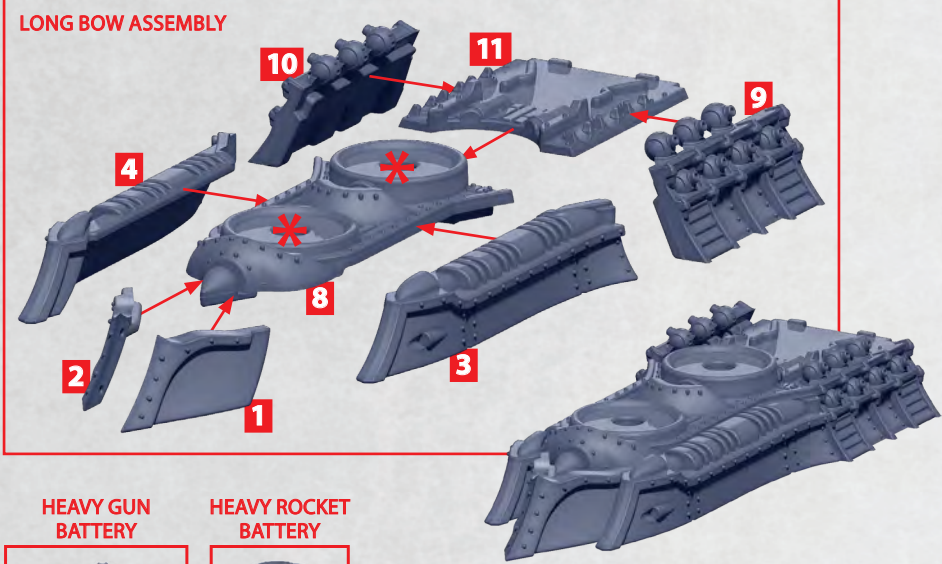
BOW ASSEMBLY FOR CRUISER CLASS

PARTS CAN BE FOUND ON THE JAPANESE FRONTLINE SQUADRONS SPRUES

SHORT BOW ASSEMBLY



LONG BOW ASSEMBLY



HEAVY GUN
BATTERY



HEAVY ROCKET
BATTERY



* ALL TURRETS ARE INTERCHANGEABLE

STERN ASSEMBLY FOR ALL CRUISER CLASS

PARTS CAN BE FOUND ON THE JAPANESE FRONTLINE SQUADRONS SPRUES

SHORT STERN
ASSEMBLY

23



KANAGAWA & OSAKA CLASS CRUISER



LONG STERN
ASSEMBLY

33-37

22



HONSHU & HOKKAIDO CLASS CRUISER

PART 22 FLIPS
FOR EITHER
HONSHU OR
ISHIKAWA DECK

22



ISHIKAWA & YAMAGUCHI CLASS CRUISER

24



MIYAGI & OKINAWA CLASS CRUISER

17

21



COMPLETED STERN
SHOWN WITH
HONSHU DECK

HONSHU CLASS CRUISER

PARTS CAN BE FOUND ON THE JAPANESE FRONTLINE SQUADRONS SPRUES

SEE PAGE 2 FOR
BRIDGE ASSEMBLY

33-37

SEE PAGE 4
FOR STERN
ASSEMBLY
(LONG)

SEE PAGE 3 FOR BOW
ASSEMBLY (SHORT)

ISHIKAWA CLASS CRUISER

PARTS CAN BE FOUND ON THE JAPANESE FRONTLINE SQUADRONS SPRUES

SEE PAGE 2 FOR
BRIDGE ASSEMBLY

SEE PAGE 4
FOR STERN
ASSEMBLY
(LONG)

SEE PAGE 3 FOR BOW
ASSEMBLY (SHORT)

* ALL TURRETS ARE INTERCHANGEABLE – SEE PAGE 3 FOR OPTIONS

MIYAGI CLASS CRUISER

PARTS CAN BE FOUND ON THE JAPANESE FRONTLINE SQUADRONS SPRUES

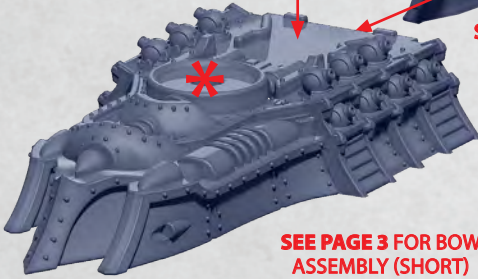
SEE PAGE 2 FOR
BRIDGE ASSEMBLY



SEE PAGE 4
FOR STERN
ASSEMBLY
(LONG)



SEE PAGE 3 FOR BOW
ASSEMBLY (SHORT)



HOKKAIDO CLASS CRUISER

PARTS CAN BE FOUND ON THE JAPANESE FRONTLINE SQUADRONS SPRUES

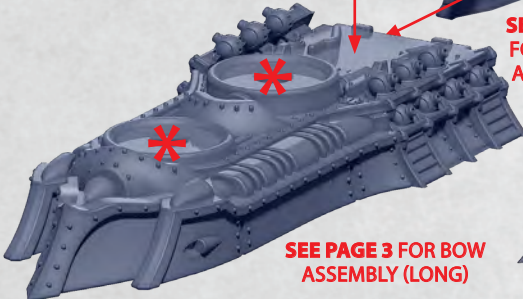
SEE PAGE 2 FOR
BRIDGE ASSEMBLY



SEE PAGE 4
FOR STERN
ASSEMBLY
(LONG)



SEE PAGE 3 FOR BOW
ASSEMBLY (LONG)



* ALL TURRETS ARE INTERCHANGEABLE – SEE PAGE 3 FOR OPTIONS

YAMAGUCHI CLASS CRUISER

PARTS CAN BE FOUND ON THE JAPANESE FRONTLINE SQUADRONS SPRUES

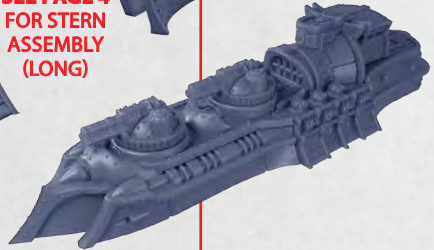
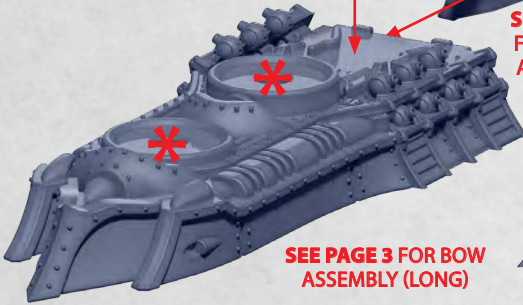
SEE PAGE 2 FOR
BRIDGE ASSEMBLY



SEE PAGE 4
FOR STERN
ASSEMBLY
(LONG)



SEE PAGE 3 FOR BOW
ASSEMBLY (LONG)



OKINAWA CLASS CRUISER

PARTS CAN BE FOUND ON THE JAPANESE FRONTLINE SQUADRONS SPRUES

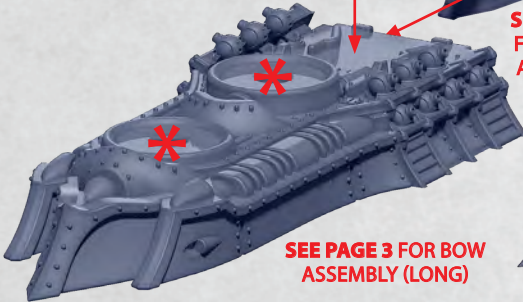
SEE PAGE 2 FOR
BRIDGE ASSEMBLY



SEE PAGE 4
FOR STERN
ASSEMBLY
(LONG)



SEE PAGE 3 FOR BOW
ASSEMBLY (LONG)



* ALL TURRETS ARE INTERCHANGEABLE – SEE PAGE 3 FOR OPTIONS

KANAGAWA CLASS CRUISER

PARTS CAN BE FOUND ON THE JAPANESE FRONTLINE SQUADRONS SPRUES

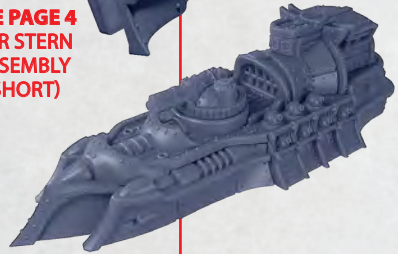
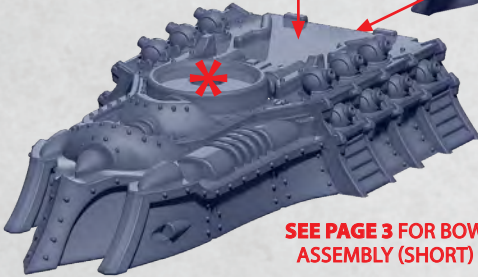
SEE PAGE 2 FOR
BRIDGE ASSEMBLY



SEE PAGE 4
FOR STERN
ASSEMBLY
(SHORT)



SEE PAGE 3 FOR BOW
ASSEMBLY (SHORT)



OSAKA CLASS CRUISER

PARTS CAN BE FOUND ON THE JAPANESE FRONTLINE SQUADRONS SPRUES

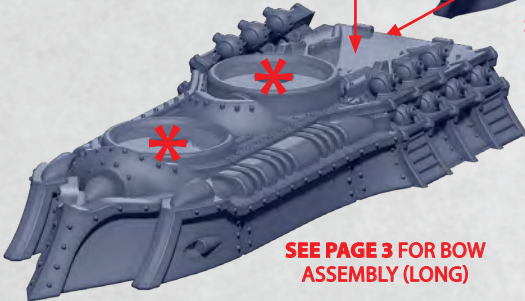
SEE PAGE 2 FOR
BRIDGE ASSEMBLY



SEE PAGE 4
FOR STERN
ASSEMBLY
(SHORT)



SEE PAGE 3 FOR BOW
ASSEMBLY (LONG)



* ALL TURRETS ARE INTERCHANGEABLE – SEE PAGE 3 FOR OPTIONS

KYOTO CLASS FRIGATE

PARTS CAN BE FOUND ON THE JAPANESE FRONTLINE SQUADRONS SPRUES

